

SAW Filter 1575.0MHz
Part No: MP08747

Model: TA1575BBB
Rev No: 1

A. MAXIMUM RATING:

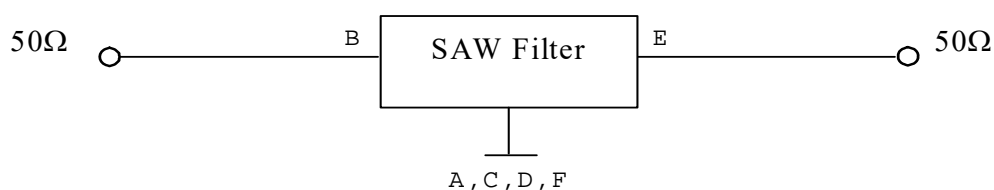
1. Input Power Level: 20dBm
2. DC Voltage: 3V
3. Operating Temperature: -40°C to +85°C
4. Storage Temperature: -40°C to +85°C

B. ELECTRICAL CHARACTERISTICS:

Item	Unit	Min.	Typ.	Max.	Note
Center Frequency Fc	MHz	-	1575	-	-
Insertion Loss (1565 ~ 1585MHz) IL	dB	-	1.45	2.8	-
Amplitude Ripple (1565 ~ 158 MHz)	dB	-	0.3	2	-
VSWR (1565 ~ 158 MHz)		-	1.2	2	-
Relative Attenuation (relative to 0dB)					
D.C. ~ 600MHz	dB	30	36.7	-	-
600 ~ 1500MHz	dB	27	34	-	-
1500 ~ 1525MHz	dB	20	40	-	-
1625 ~ 1675MHz	dB	20	42	-	-
1675 ~ 3000MHz	dB	30	36.8	-	-

C. MEASUREMENT CIRCUIT:

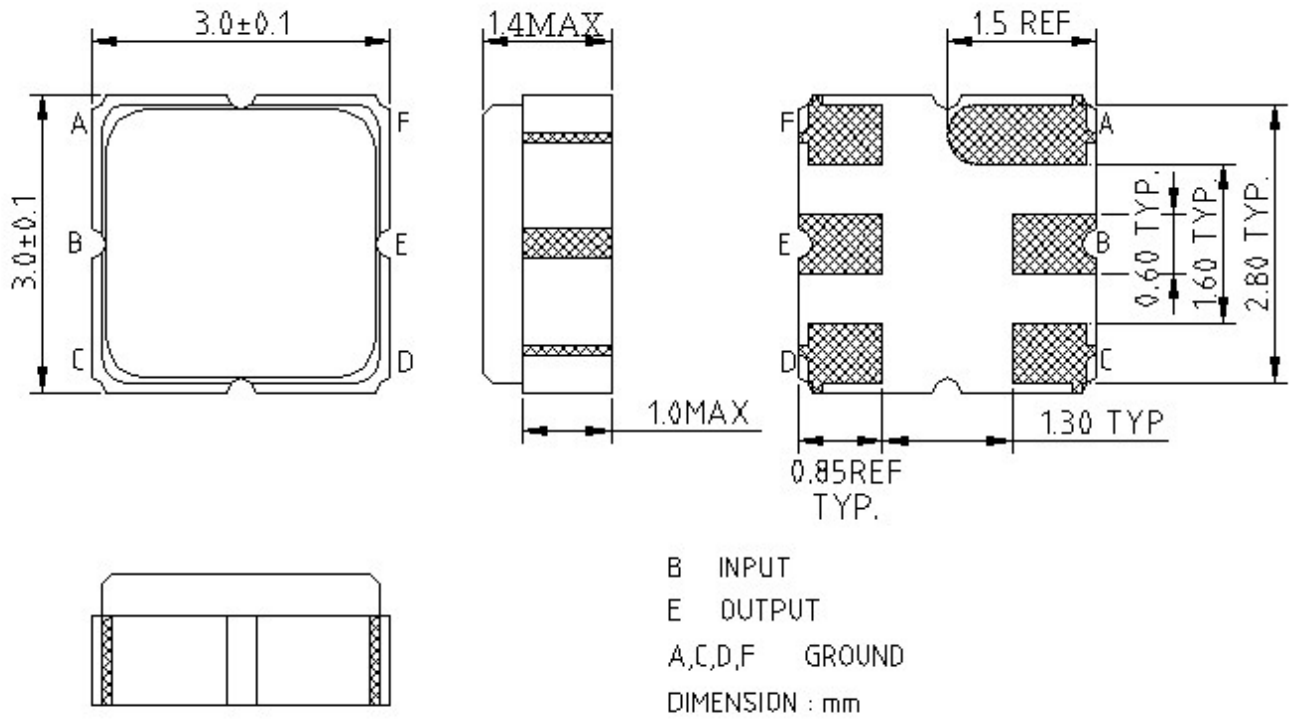
HP Network analyzer



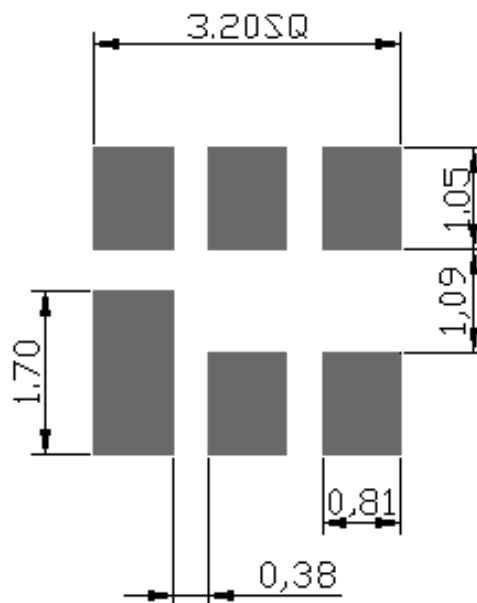
SAW Filter 1575.0MHz
Part No: MP08747

Model: TA1575BBB
Rev No: 1

D. OUTLINE DRAWING:



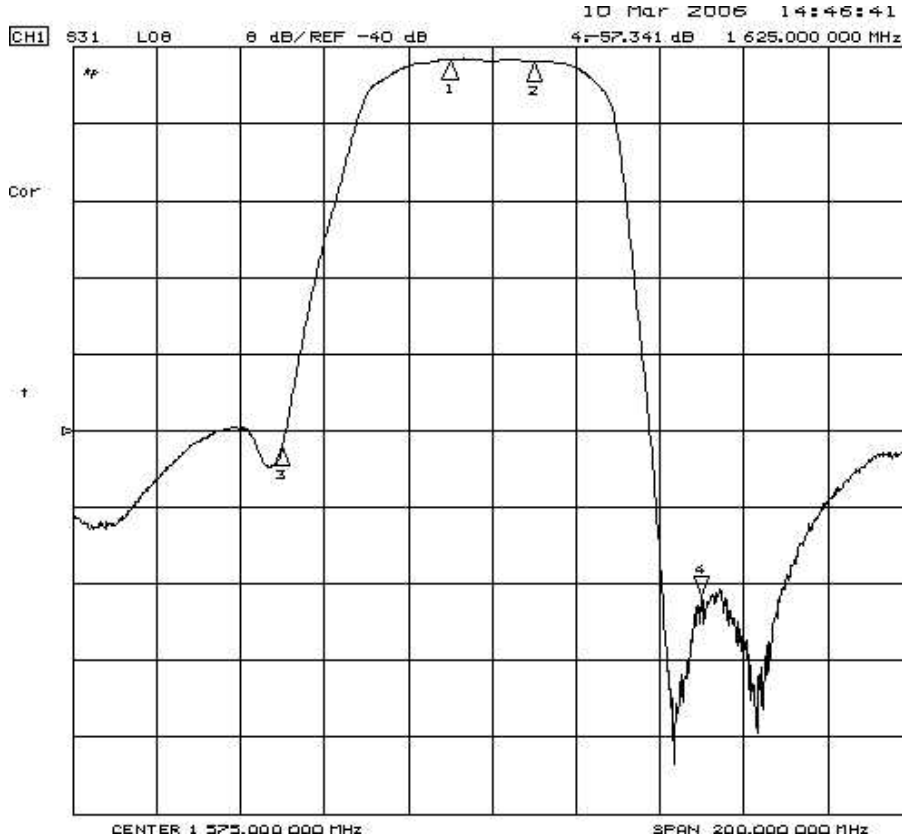
E. PCB FOOTPRINT:



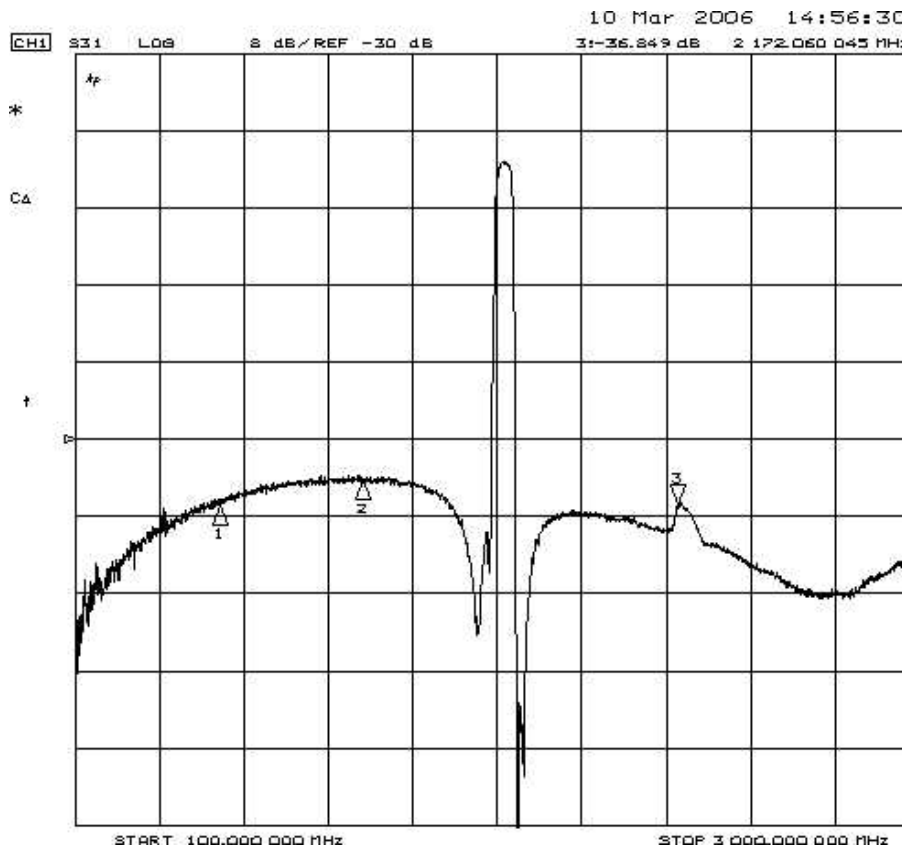
SAW Filter 1575.0MHz
Part No: MP08747

Model: TA1575BBB
Rev No: 1

F. FREQUENCY CHARACTERISTICS:



CH1 Markers
 1:-1.2239 dB
 1.56500 GHz
 2:-1.4347 dB
 1.58500 GHz
 3:-41.523 dB
 1.52500 GHz



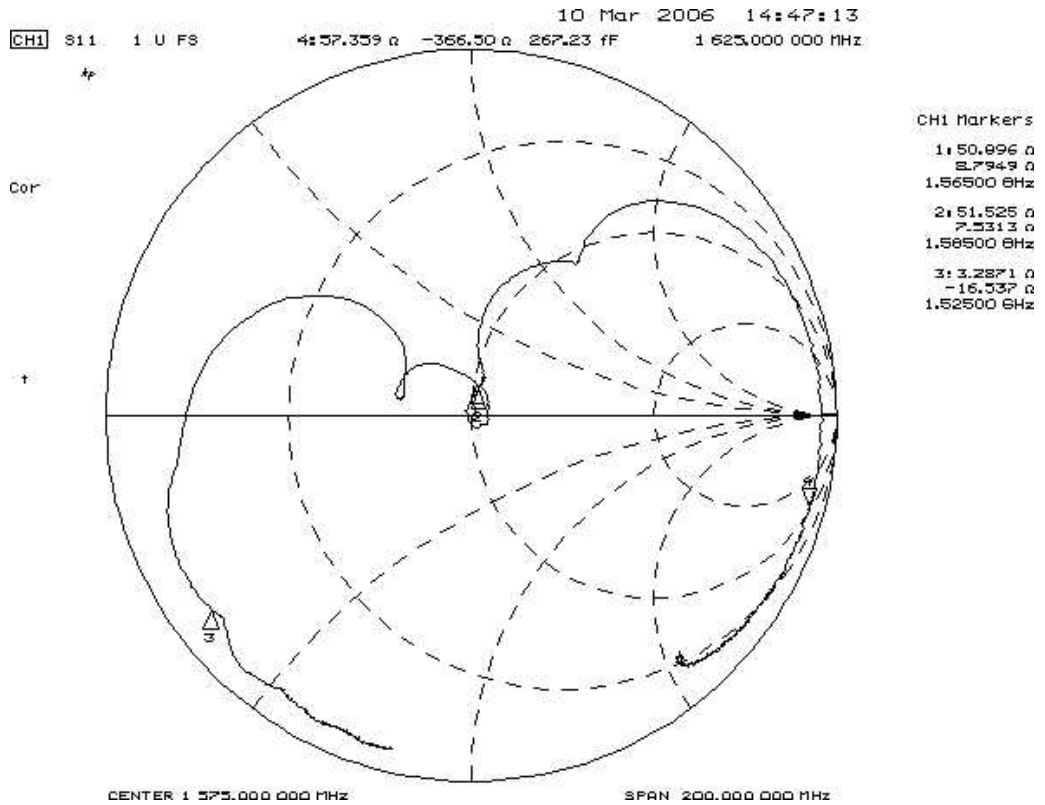
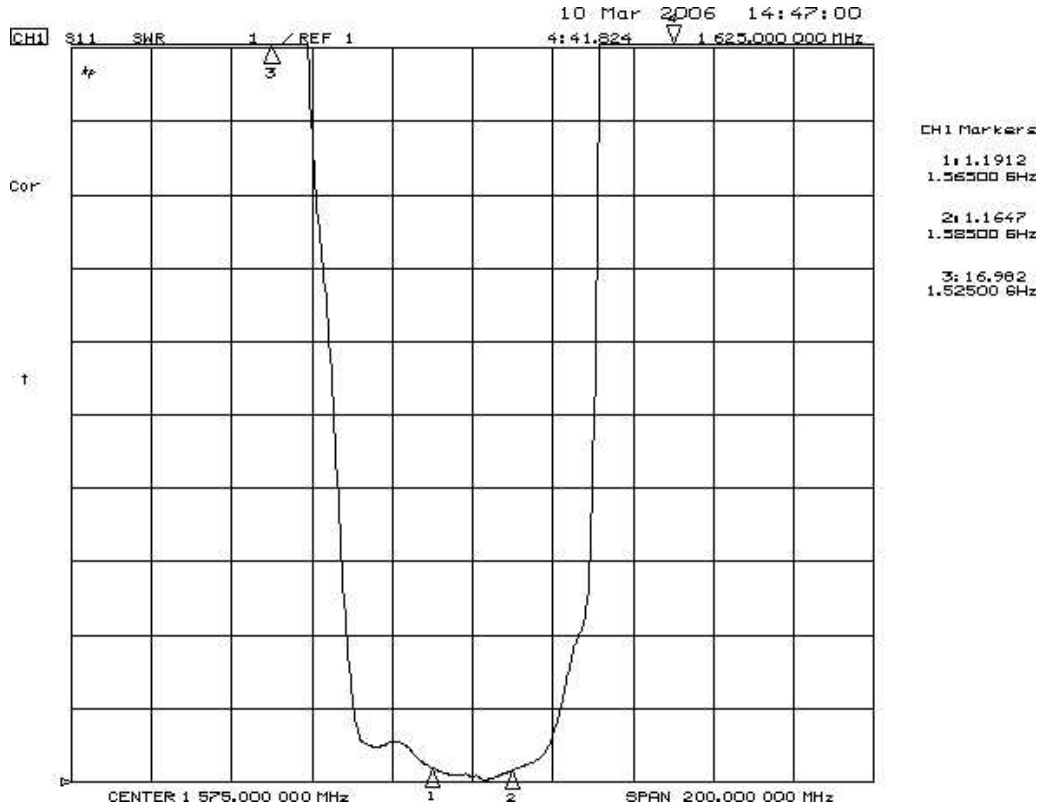
CH1 Markers
 1:-36.742 dB
 600.000 MHz
 2:-34.091 dB
 1.09080 GHz

SAW Filter 1575.0MHz
Part No: MP08747

Model: TA1575BBB
Rev No: 1

Reflections Functions

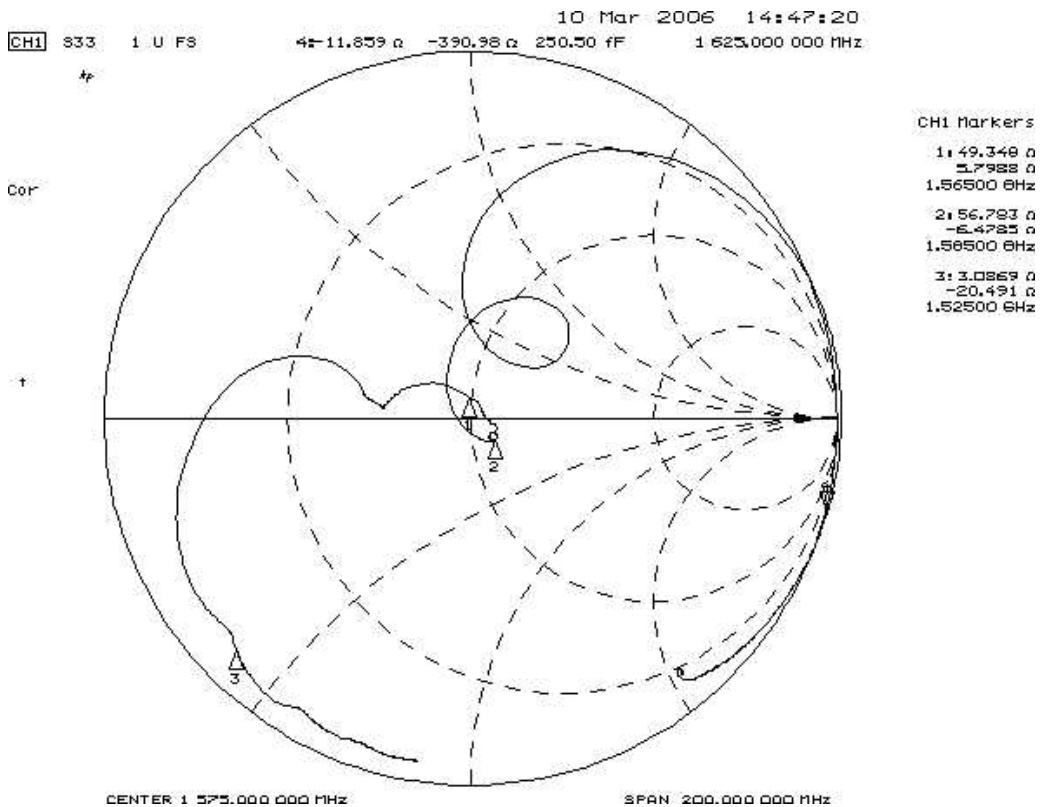
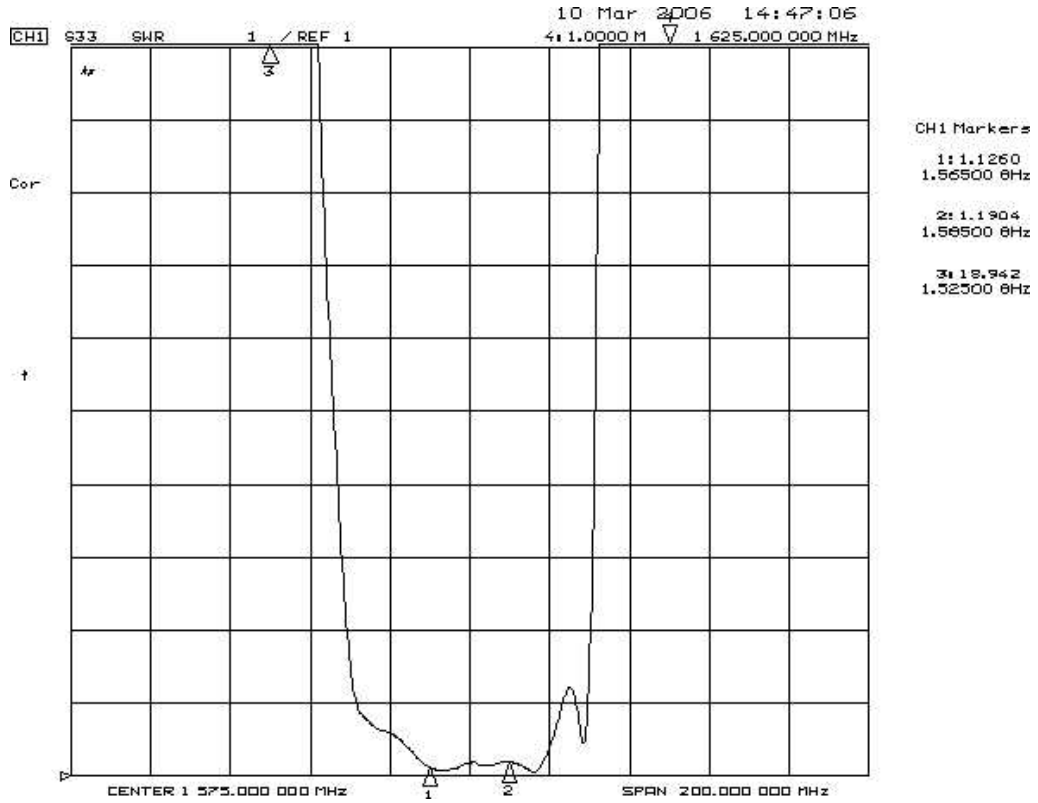
S11 VSWR



SAW Filter 1575.0MHz
Part No: MP08747

Model: TA1575BBB
Rev No: 1

S22 VSWR

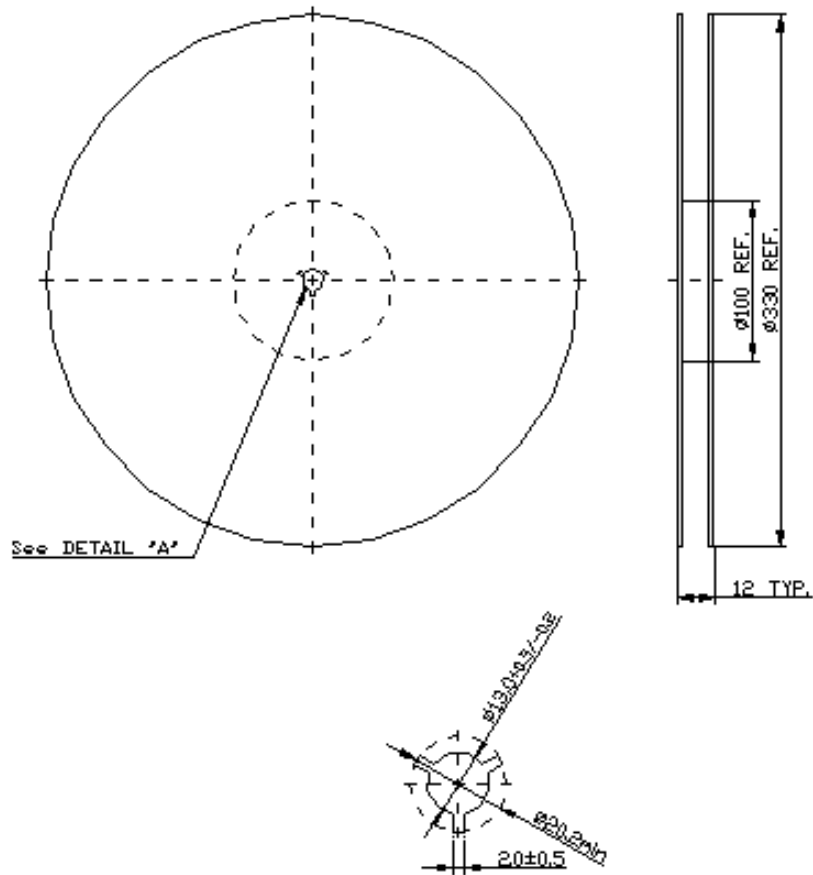


SAW Filter 1575.0MHz
Part No: MP08747

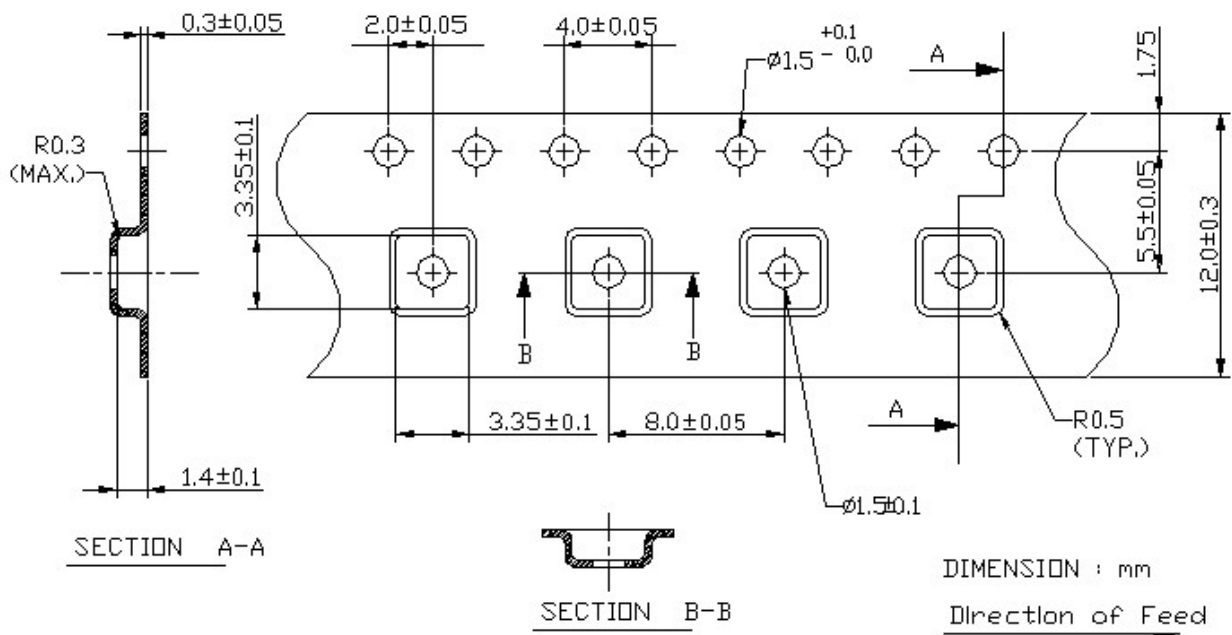
Model: TA1575BBB
Rev No: 1

G. PACKING:

1. Reel Dimensions



2. Tape Dimensions



SAW Filter 1575.0MHz
Part No: MP08747

Model: TA1575BBB
Rev No: 1

H. RECOMMENDED REFLOW PROFILE:

