

Product Description:

- Sign Holder - FM001-0212
- Holds 8.5" x 11" signage
- No hardware required, sits in groove across front of FM001-0213 lid
- Clear PETG Plastic

Primary Area for Product Usage:

- Anywhere signage is needed on FM001-0212

Dispenses:

- Holds letter sized signage vertically
- A variety of signs can be downloaded free of charge at www.BowmanDispensers.com

Package Specifications:

- Package Quantity: 12 per case
- 12"L x 9"W x 10"H (30.5 cm x 22.9 cm x 25.4 cm)
- 11.0 lbs (5.0 kg) - approximated

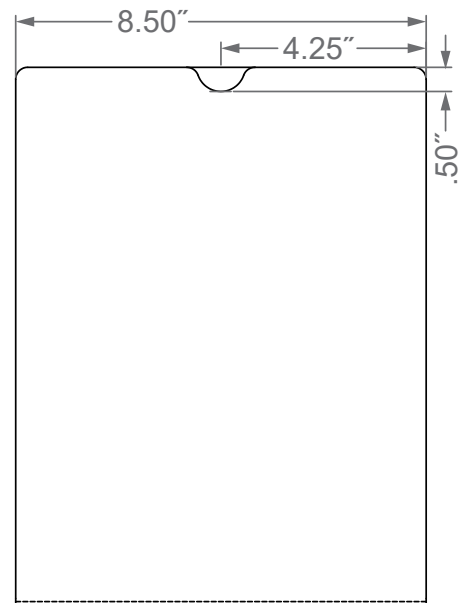
Product Specifications (overall external dimensions):

- 8.50"W x 11.90"H x 0.38"D (21.6 cm x 28.4 cm x 1.0 cm)
- 0.9 lbs (0.4 kg) - approximated

Mounting Specifications:

Related Products (each sold separately):

- MP-075 - Sign Holder - Horizontal (shown below)
- MP-070 - Sign Holder - Vertical

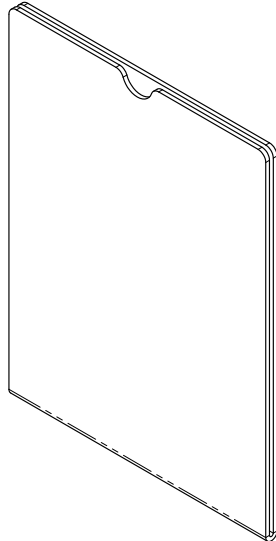




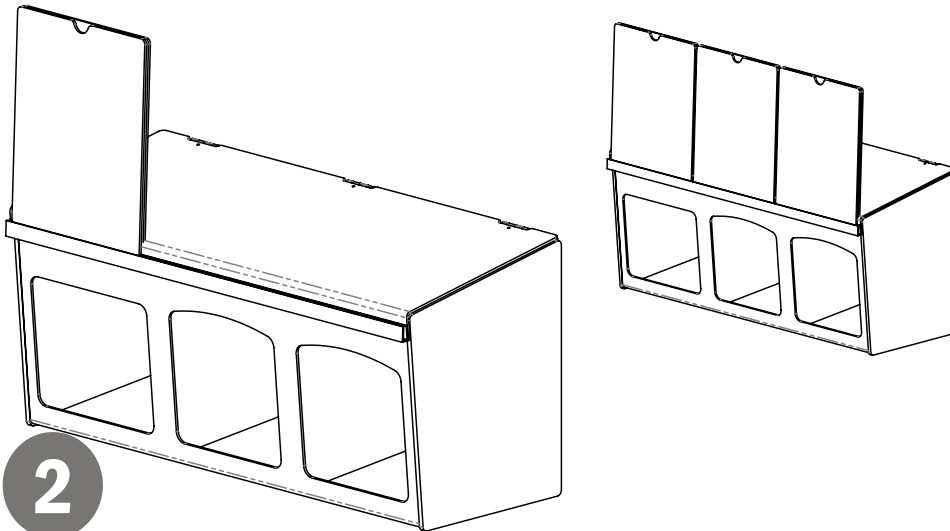
Installation

Always mount dispensers securely *prior* to loading with product.

- Insert desired signage. Signs can easily be removed and replaced as necessary via the thumb cutout.



- Insert into groove of FM001-0212. Repeat with additional sign holders.



Parts included:

- Dispenser

Tools Required:

- No tools required to assemble dispenser

Care and Construction

PETG Plastic

Material Characteristics

Designed for Long-Term, Heavy-Duty Applications

Copolyester resin is designed for heavy-duty applications, and is used by BOWMAN® Dispensers. We never use acrylic in our products.

Copolyester (PETG) is typically 15-20 times tougher than general purpose acrylic. PETG is made to withstand handling and reduce losses due to breakage.

PETG resists a variety of chemicals and commonly used cleaning agents, such as PDI wipes. It is tough and durable (not brittle), providing years of trouble-free functionality and long life.

Clear optical characteristics mean the viewer can see the content, read text, and see true colors through the material. It complies with FDA regulations for food contact.

Care and Cleaning

Most cleaning chemicals do not weaken the surface or cause damage to the material. Suggested cleaning method is to use a soft cloth, warm water, and mild soap.