

Analog Devices Welcomes Hittite Microwave Corporation

NO CONTENT ON THE ATTACHED DOCUMENT HAS CHANGED



THIS PAGE INTENTIONALLY LEFT BLANK

REVISIONS					
REV	ECN#	ZONE	DESCRIPTION	NAME	DATE
C	----	----	CHANGE AS PER CP121273	D. ACEVAL	10/15/2012
D	----	----	CHANGE AS PER CP121660	V. VADUVA	12/10/2012

NOTE:
1. 1. DUT PIN 17 AND 20 ARE INTERNALLY CONNECTED TO GND PADDLE

D

D

C

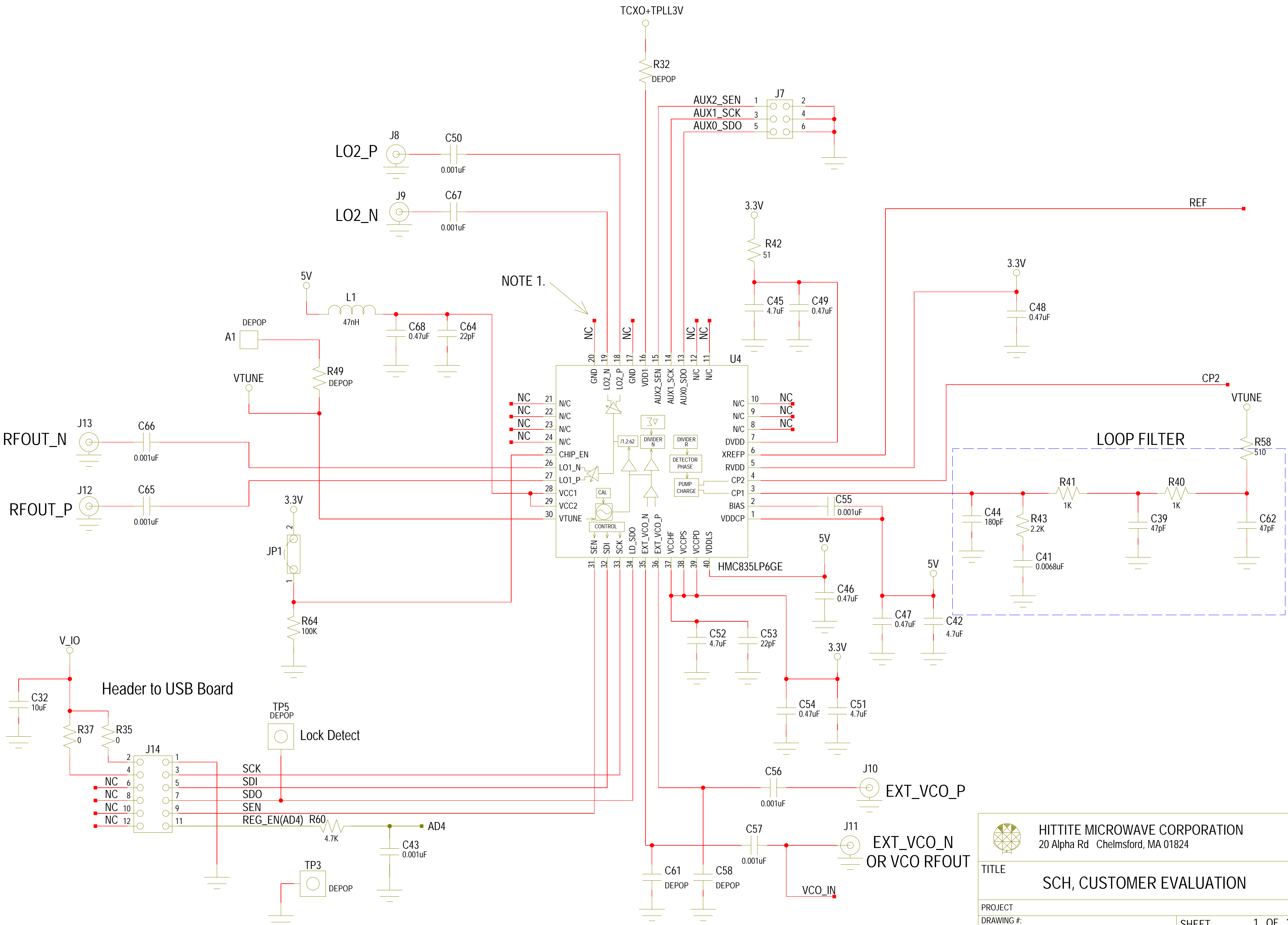
C

B


B

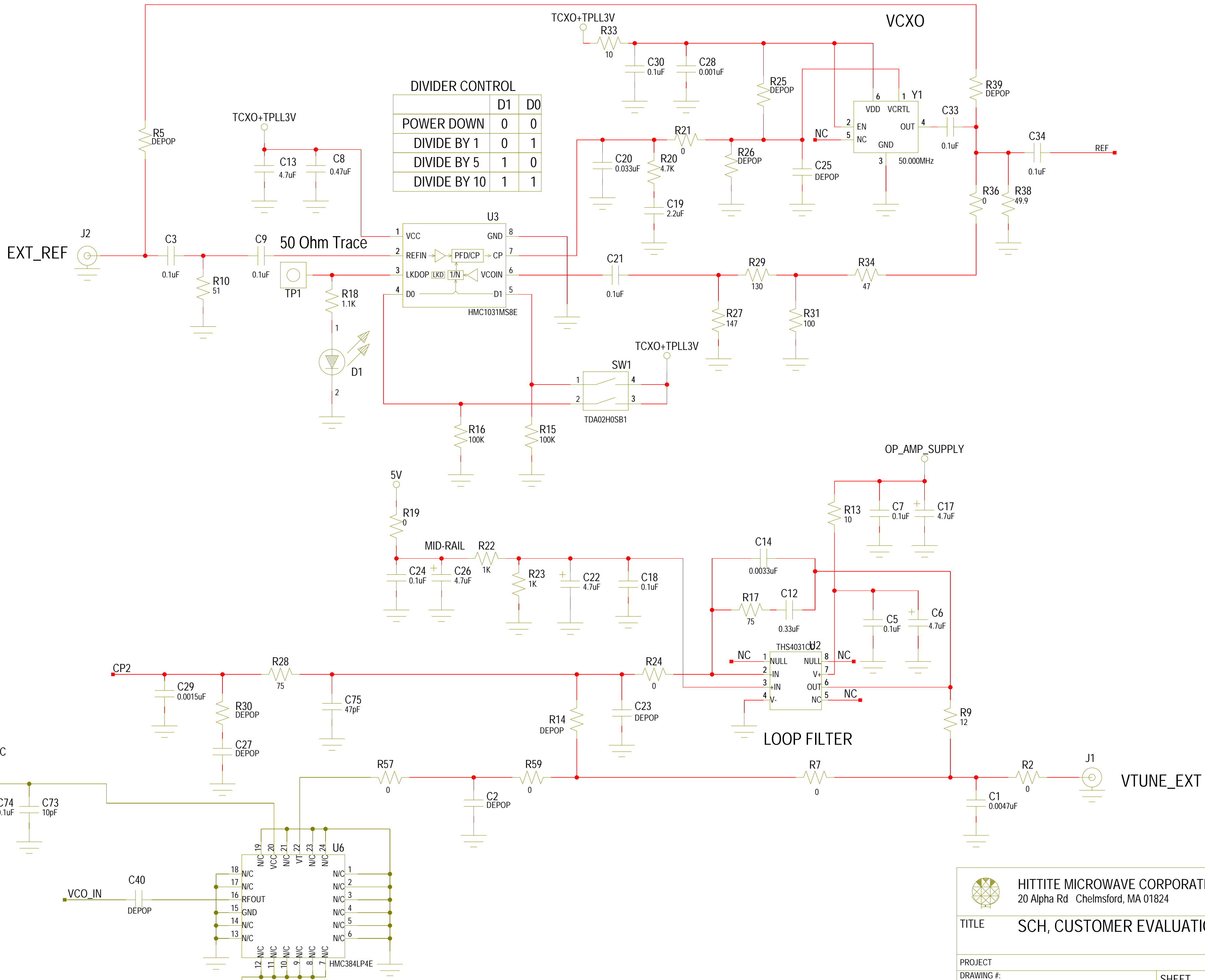
A

A



NOTICE OF PROPRIETARY PROPERTY: THIS DOCUMENT AND THE INFORMATION CONTAINED IN IT ARE THE PROPRIETARY PROPERTY OF HITTITE MICROWAVE CORPORATION. IT MAY NOT BE COPIED OR USED IN ANY MANNER NOR MAY ANY OF THE INFORMATION IN OR UPON IT BE USED FOR ANY PURPOSE WITHOUT THE EXPRESSED WRITTEN CONSENT OF AN AUTHORIZED AGENT OF HITTITE MICROWAVE CORPORATION.

 HITTITE MICROWAVE CORPORATION 20 Alpha Rd Chelmsford, MA 01824				
TITLE SCH, CUSTOMER EVALUATION				
PROJECT DRAWING #: 130-00378-00		SHEET 1 OF 3		
DRAWN BY D.YOUNG		DATE 01/01/2010		
CODE ID NO. 1CN88		SIZE C	REV D	



HITTITE MICROWAVE CORPORATION
 20 Alpha Rd Chelmsford, MA 01824

TITLE SCH, CUSTOMER EVALUATION

PROJECT

DRAWING #: 130-00378-00

DRAWN BY: D.YOUNG

DATE: 01/01/2010

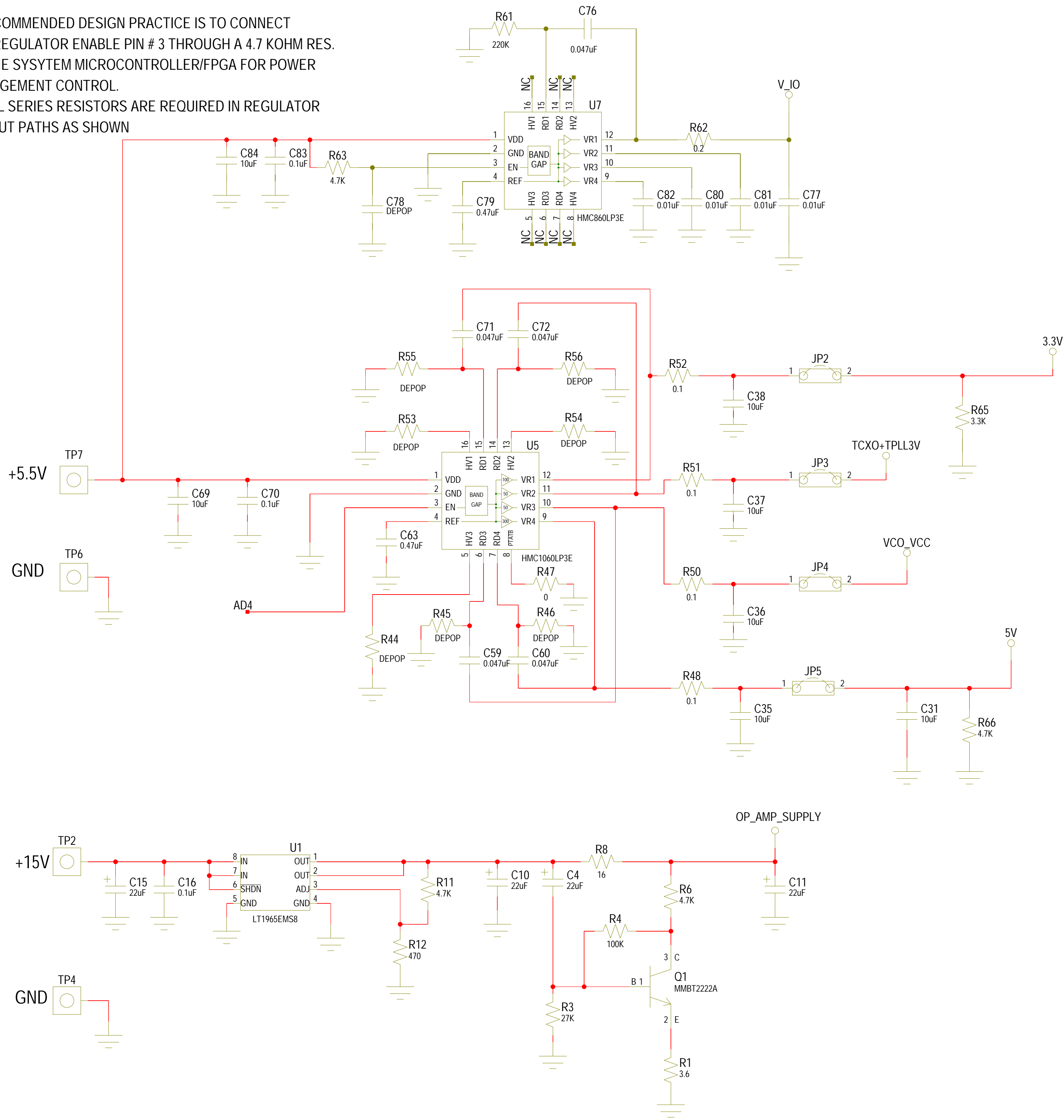
SHEET 2 OF 3


CODE ID NO. 1CN88

SIZE C

REV D

A RECOMMENDED DESIGN PRACTICE IS TO CONNECT THE REGULATOR ENABLE PIN # 3 THROUGH A 4.7 KOHM RES. TO THE SYSTEM MICROCONTROLLER/FPGA FOR POWER MANAGEMENT CONTROL. SMALL SERIES RESISTORS ARE REQUIRED IN REGULATOR OUTPUT PATHS AS SHOWN



 HITTITE MICROWAVE CORPORATION 20 Alpha Rd Chelmsford, MA 01824				
TITLE SCH, CUSTOMER EVALUATION				
PROJECT DRAWING #: 130-00378-00		SHEET 3 OF 3 <small>CODE ID NO. SIZE REV</small>		
DRAWN BY: D.YOUNG	DATE: 01/01/2010	1CN88	C	D