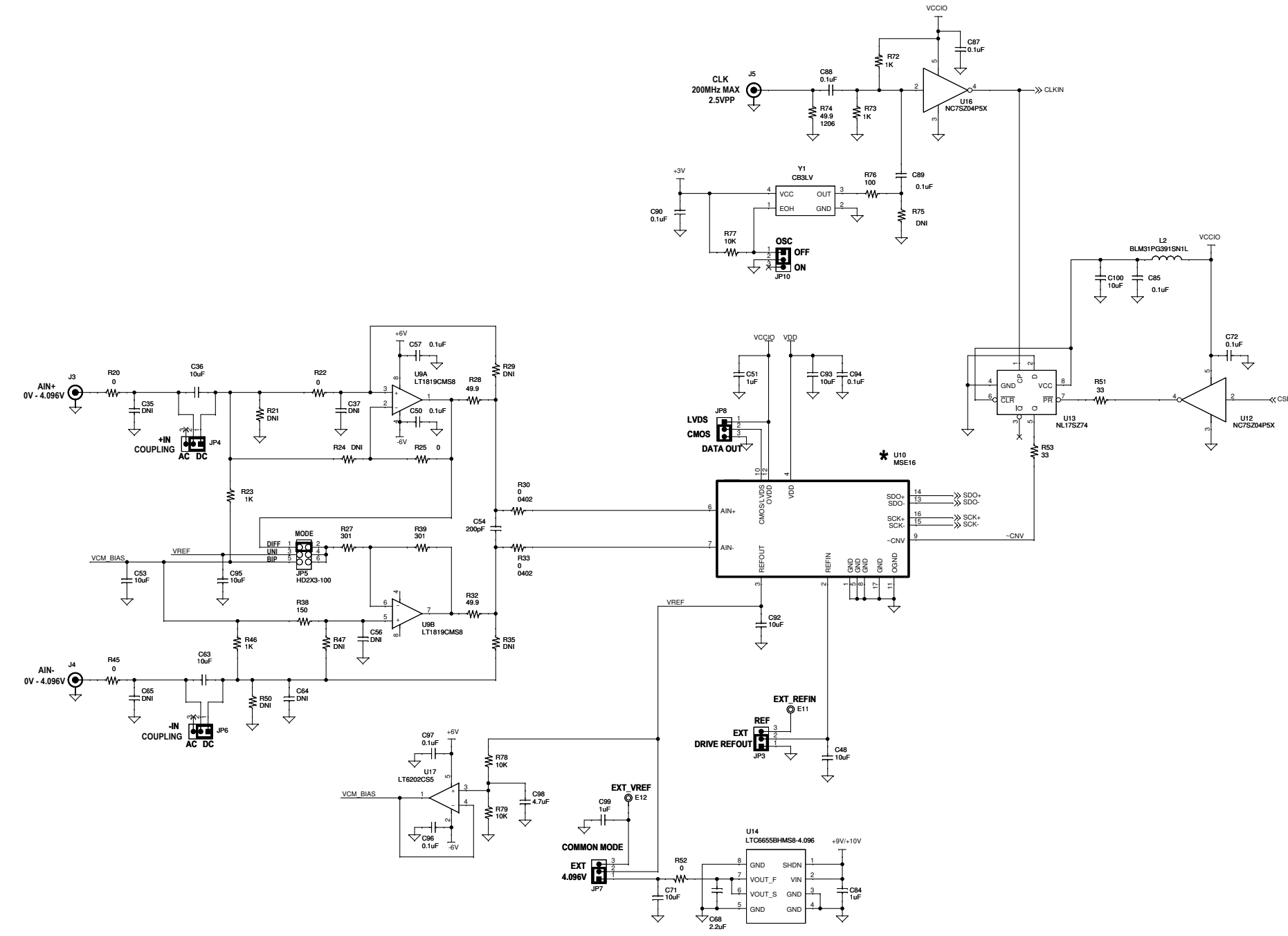


REVISION HISTORY				
ECO	REV	DESCRIPTION	APPROVED	DATE
	0	PRODUCTION	DOUG S.	08-26-13



NOTES: UNLESS OTHERWISE SPECIFIED
 1. ALL RESISTORS ARE IN OHMS, 0603.
 ALL CAPACITORS ARE IN MICROFARADS, 0603

ASSY	U1	BITS	MSPS	R57	R58	R59	R60
-A	LTC2311MSE-16	16	5				
-B	LTC2310IMSE-16	16	2	DNI	1K	1K	DNI
-C	LTC2311IMSE-14	14	5	1K	DNI	1K	DNI
-D	LTC2310IMSE-14	14	2				
-E	LTC2311IMSE-12	12	5	1K	DNI	DNI	1K
-F	LTC2310IMSE-12	12	2				

CUSTOMER NOTICE
 LINEAR TECHNOLOGY HAS MADE A BEST EFFORT TO DESIGN A CIRCUIT THAT MEETS CUSTOMER-SUPPLIED SPECIFICATIONS; HOWEVER, IT REMAINS THE CUSTOMER'S RESPONSIBILITY TO VERIFY PROPER AND RELIABLE OPERATION IN THE ACTUAL APPLICATION. COMPONENT SUBSTITUTION AND PRINTED CIRCUIT BOARD LAYOUT MAY SIGNIFICANTLY AFFECT CIRCUIT PERFORMANCE OR RELIABILITY. CONTACT LINEAR TECHNOLOGY APPLICATIONS ENGINEERING FOR ASSISTANCE.
 THIS CIRCUIT IS PROPRIETARY TO LINEAR TECHNOLOGY AND SUPPLIED FOR USE WITH LINEAR TECHNOLOGY PARTS.

APPROVALS	
PCB DES.	D. STUETZLE
APP ENG.	D. STUETZLE
SCALE = NONE	

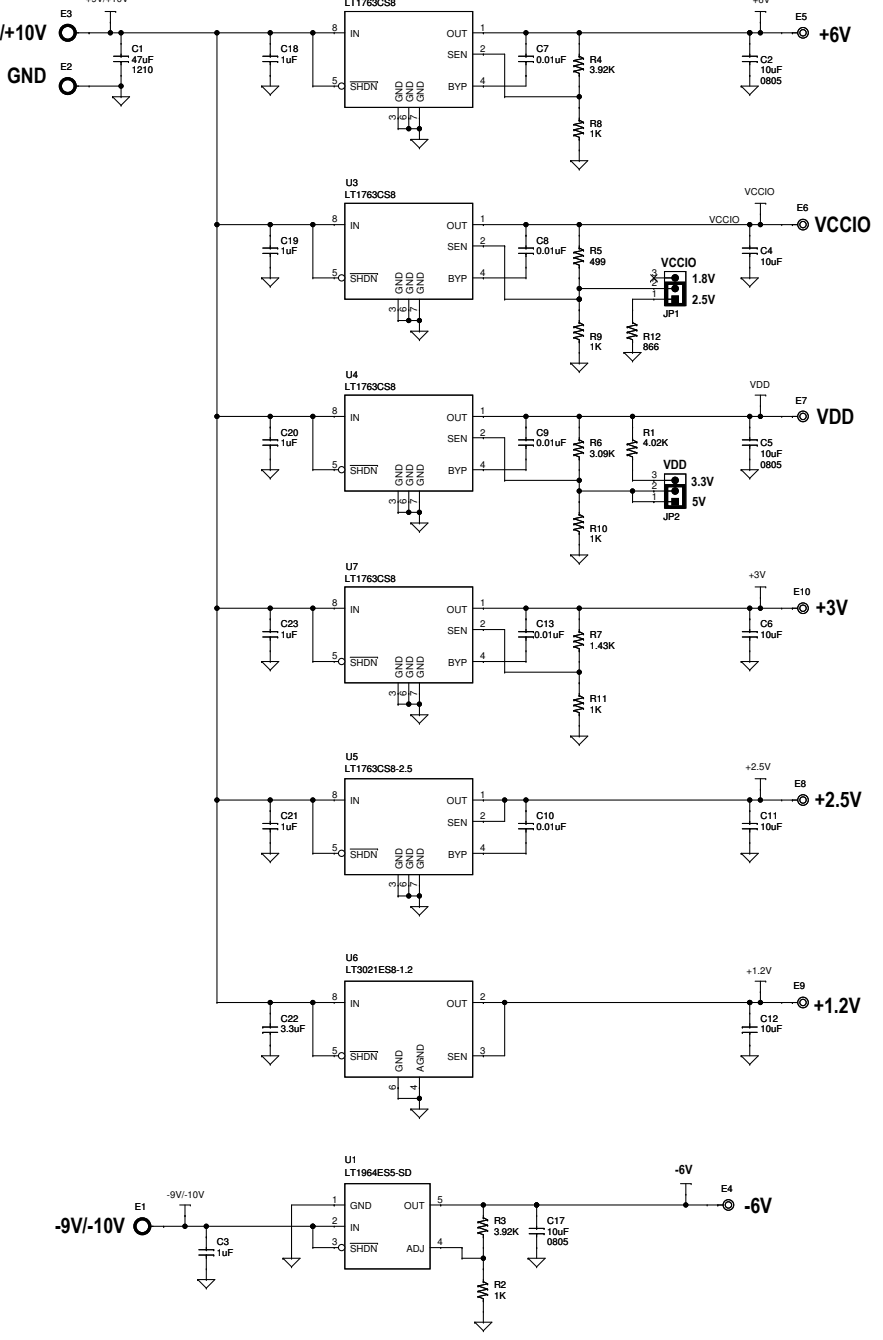
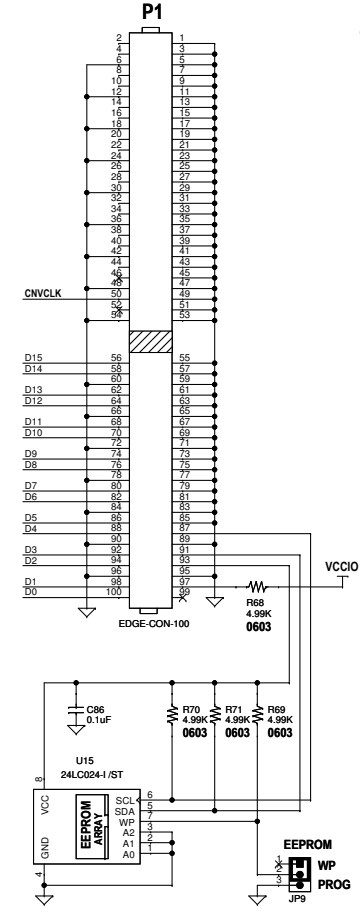
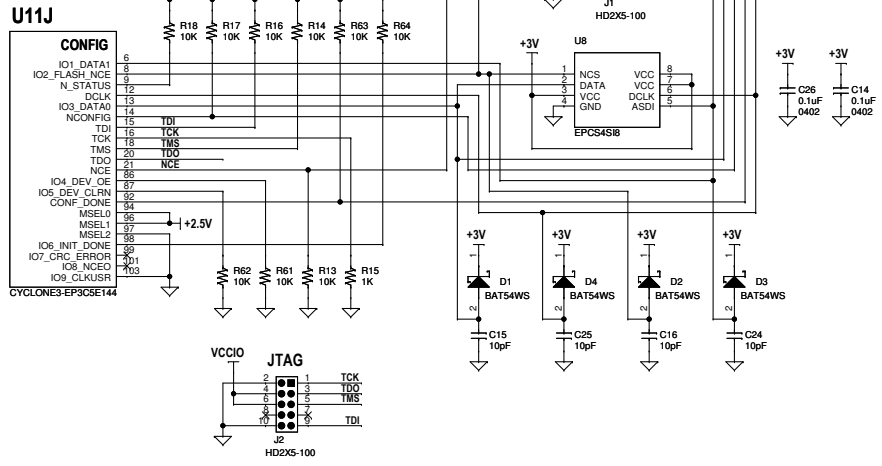
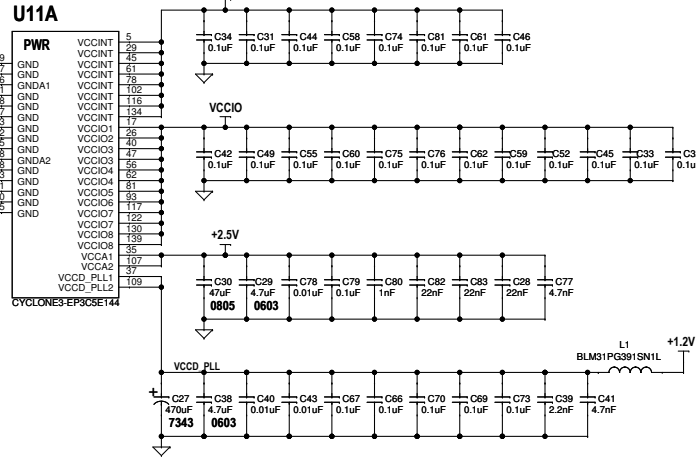
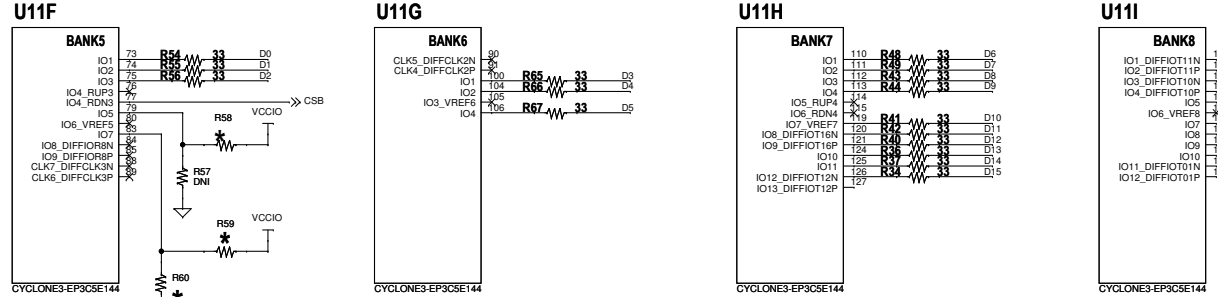
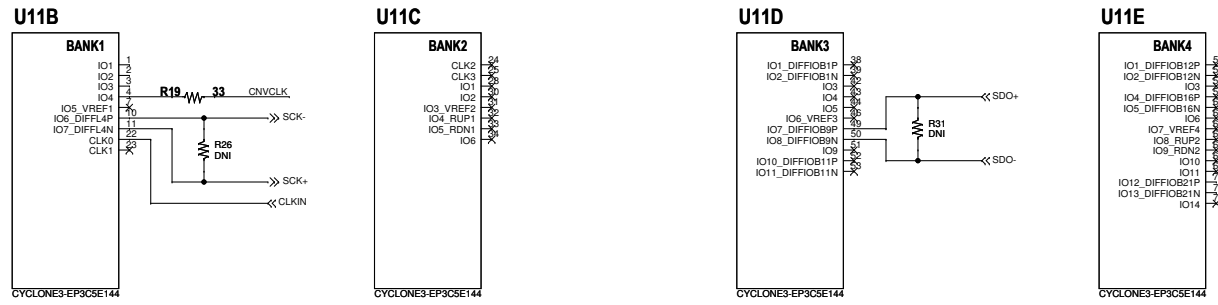
1630 McCarthy Blvd.
 Milpitas, CA 95035
 Phone: (408)432-1900 www.linear.com
 Fax: (408)434-0507
 LTC Confidential-For Customer Use Only

TITLE: SCHEMATIC

TRUE DIFFERENTIAL INPUT ADC

DATE: Thursday, December 03, 2015

SIZE	IC NO.	LTC231XIMSE FAMILY	REV.
B		DEMO CIRCUIT 2425A	0
SHEET 1		OF 2	



NOTES: UNLESS OTHERWISE SPECIFIED
 1. ALL RESISTORS AND CAPACITORS ON THIS PAGE ARE 0402.
 2. SEE ASSEMBLY TABLE ON PAGE 1 FOR R67 AND R68 VALUES.

CUSTOMER NOTICE LINEAR TECHNOLOGY HAS MADE A BEST EFFORT TO DESIGN A CIRCUIT THAT MEETS CUSTOMER-SUPPLIED SPECIFICATIONS; HOWEVER, IT REMAINS THE CUSTOMER'S RESPONSIBILITY TO VERIFY PROPER AND RELIABLE OPERATION IN THE ACTUAL APPLICATION. COMPONENT SUBSTITUTION AND PRINTED CIRCUIT BOARD LAYOUT MAY SIGNIFICANTLY AFFECT CIRCUIT PERFORMANCE OR RELIABILITY. CONTACT LINEAR TECHNOLOGY APPLICATIONS ENGINEERING FOR ASSISTANCE.		APPROVALS		 1630 McCarthy Blvd. Milpitas, CA 95035 Phone: (408)432-1900 www.linear.com Fax: (408)434-0507 LTC Confidential-For Customer Use Only	
PCB DES.	D. STUETZLE	APP ENG.	D. STUETZLE		
THIS CIRCUIT IS PROPRIETARY TO LINEAR TECHNOLOGY AND SUPPLIED FOR USE WITH LINEAR TECHNOLOGY PARTS.				TITLE: SCHEMATIC TRUE DIFFERENTIAL INPUT ADC	
SCALE = NONE		DATE:	Thursday, May 07, 2015	SIZE	B
				IC NO.	LTC231XIMSE FAMILY DEMO CIRCUIT 2425A
				REV.	0
				SHEET	2 OF 2