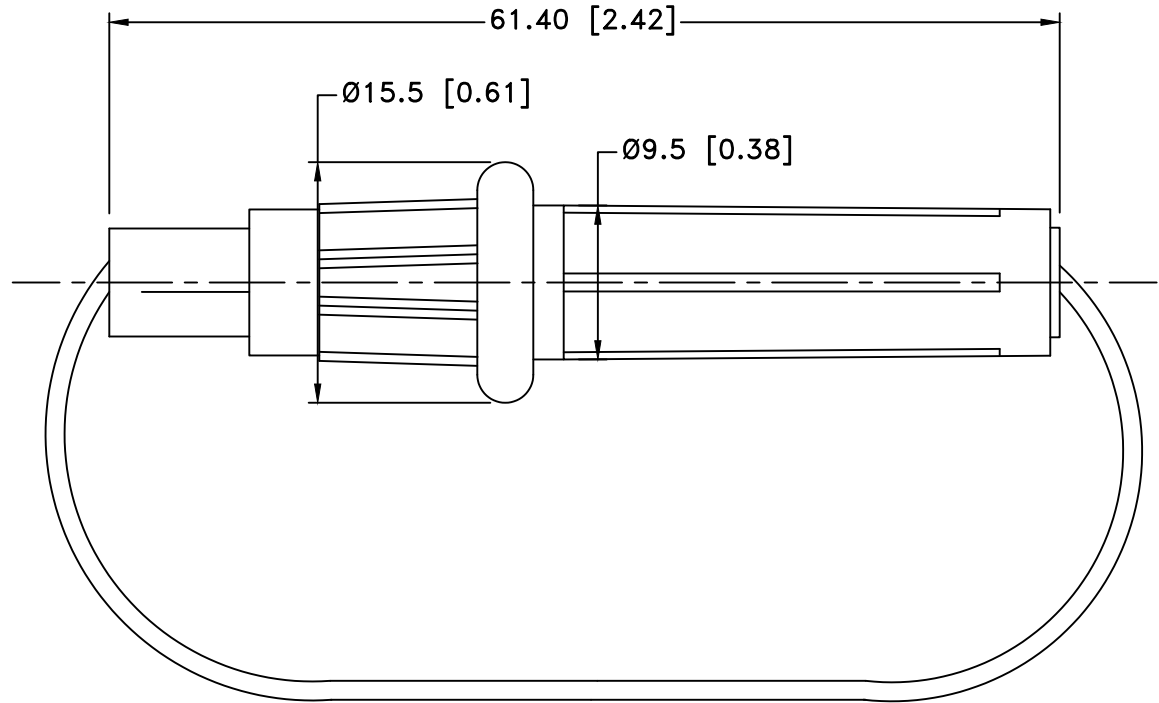
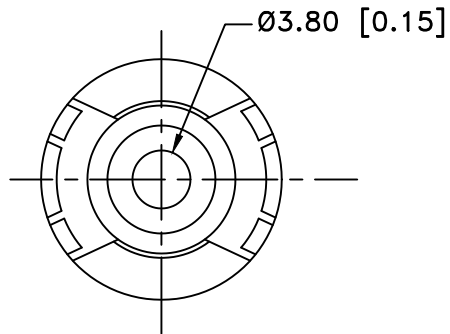



Date	SYM	REVISION RECORD	AUTH	DR.	CK.
3/06/15	F	UPDATED CONTACT RESISTANCE FROM 5MΩ TO 5mΩ	T.B.	B.S.	
04/12/19	G	UPDATED TO "ROHS COMPLIANT"	T.B.	B.S.	



NOTES:

- MATERIAL:
HOUSING : NYLON, UL 94V-2, FILE NO. E41797(M)
- LEAD WIRE IN LOOP: 16AWG, UL-CSA, 105°C, UL1015, 600V,
TOTAL LENGTH 8.125"
- MAXIMUM CURRENT: 10A
- INSULATION RESISTANCE AT 500V DC: 100MΩ MIN
- CONTACT RESISTANCE: 5mΩ AT 1A DC
- DIELECTRIC STRENGTH FOR 60 SECONDS: AC 1500V MIN
- ROHS COMPLIANT

Tolerance (Except as noted)	 Memory Protection Devices, Inc 200 Broad Hollow Road, Farmingdale, New York 11735		
decimal ±.5 (.020)		Scale	Drawn By B.S.
Fractional ± .8 (.030)	Title FUSED POWER CORD W/PLASTIC INLINE FUSE HOLDER		
Angular ± 3°	Date 04/12/19	Drawing Number BF301	
			Approved By T.B.