



PART NO:

AR00719

DRAWING NO:

AR00719

PAGE:

1 of 2

GENERAL COMPONENT SPECIFICATION / DESCRIPTION

DESCRIPTION:	Thermal Cut-Off Resistor	
MANUFACTURTER NAME:	Uchihashi	
MANUFACTURER PN:	A5MC-220J	
ADDITIONAL PART DETAILS:	22Ω, 1.6W, AC250, 5%, 139°C, 70W Max Overload	
APPROVALS:	See Attached Spec Sheet	
WHERE USED:	External Inrush resistor for PFH500F Series	
STATUS:	Preferred	
LIFE CYCLE PHASE:	Active	

OTHER NOTES:

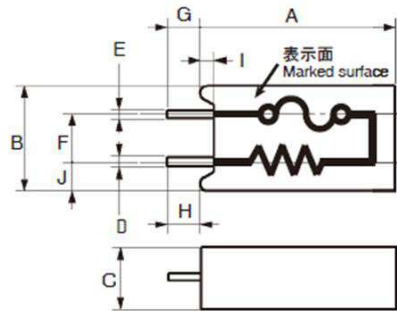
REV	DATE	ENG	NOTES
01	05-08-2017		Release to Agile

A5MC Series

RoHS Compliant Thermal Cutoffs



- It is a high performance thermal cutoff/ resistor assembly which combine a cement resistor with a fusible alloy type thermal cutoff and has an overheat protect function.
- It uses coil-winding for greater ability to withstand inrush current.
- It can open the circuit certainly in the case of any circuit malfunction. Its characteristics rarely fluctuate.
- It provides extremely robust electrical insulation and voltage withstanding properties after it functioned, and almost no trouble occurs with residual resistance or re-continuity.
- It does not contain lead (Pb) and cadmium (Cd) in compliance with RoHS.
- It does not contain 163 substances of very high concern (SVHC) that are specified by REACH as of Jun. 2015.



Dimensions (mm)									
A	B	C	D	E	F	G (L3.5)	H (L3.5)	I	J
25.0±1.5	14.0±1.0	9.0±1.0	0.8±0.05	0.6±0.05	5.5±1.0	3.5+0.5 -0	3.5+0.5 -0	2.0±0.5	4.0±0.8

Specification

Type No.	Nominal Resistance Value (Ω)	Resistance Tolerance (%)	Rated functioning temperature (°C)	Rated Power (W)	Maximum Open Circuit Voltage (V)	Maximum Overload Power (W)
A5MC-5R1J	5.1	±5	139	1.6	AC250	70
A5MC-6R8J	6.8					
A5MC-100J	10					
A5MC-150J	15					
A5MC-220J	22					

Safety standard information

Type No.	Safety standard approval					
	PSE	UL	c UL	VDE	CCC	KC
A5MC	-	E50082	E50082	923000-1171-0012	2008010205283372	SU05029-8002A (10Ω・15Ω・22Ω)

- Please feel free to contact us in regard of the details of safety standard approvals.

Uchihashi Estec Co.,Ltd.

Head Office Sales Group
9-14, Imazu-Kita 2-chome, Tsurumi-ku, Osaka 538-0041, Japan
Tel : +81-6-6962-6666 Fax : +81-6-6962-6668

Tokyo Sales Section
Tsutake Bldg., 18-37, Minami-Ikebukuro 3-chome, Toshima-ku, Tokyo
171-0022, Japan
Tel : +81-3-3989-1481 Fax : +81-3-3989-1487

<http://www.uchihashi.co.jp>