

THIS DRAWING IS UNPUBLISHED.

RELEASED FOR PUBLICATION

© COPYRIGHT - By -

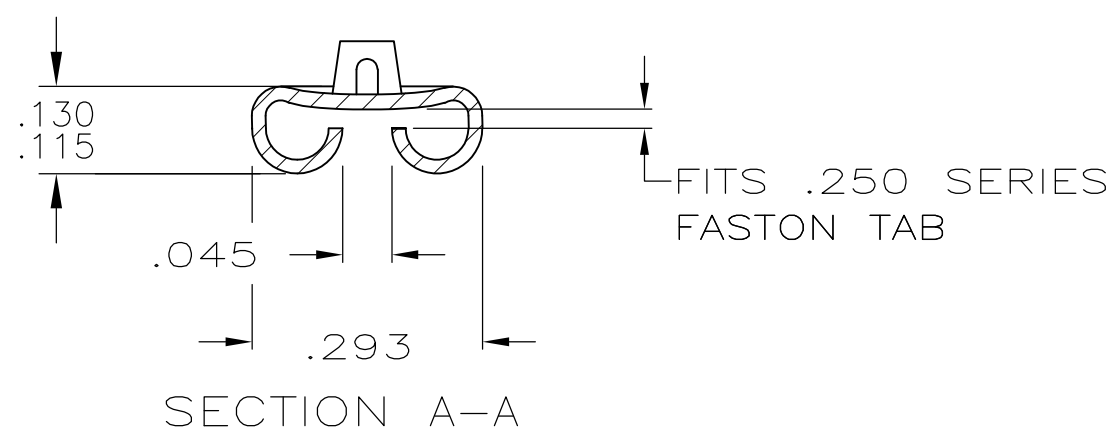
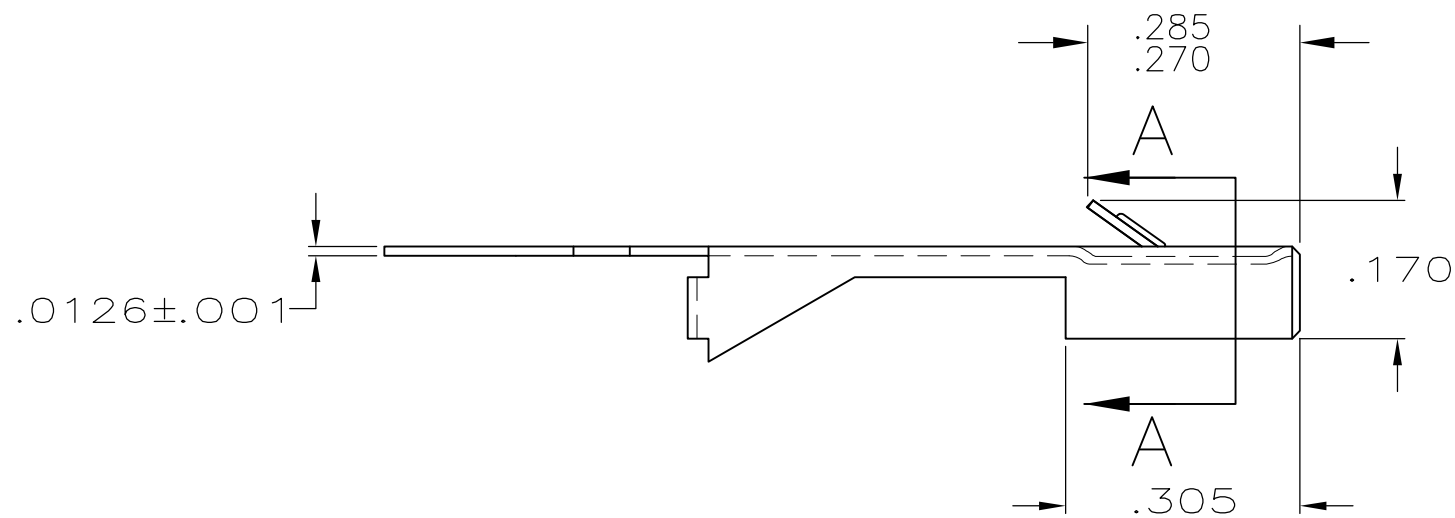
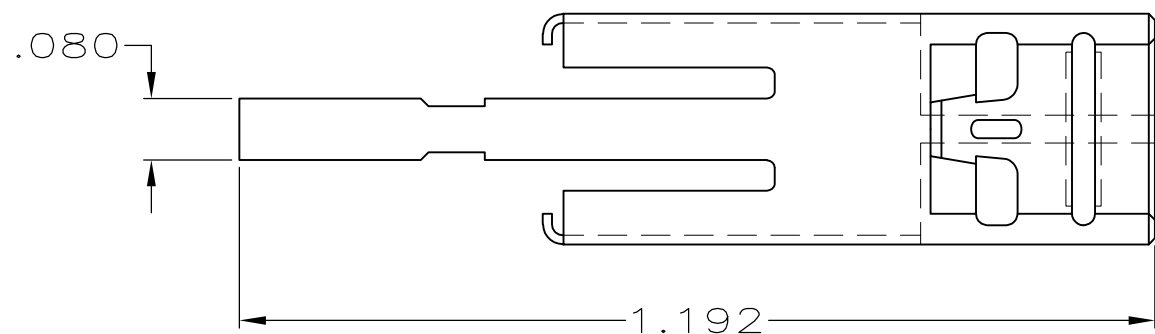
ALL RIGHTS RESERVED.

LOC AF DIST 50


REVISIONS

P	LTR	DESCRIPTION	DATE	DWN	APVD
	B	REVISED PER ECR-13-005733	23AUG13	KH	PD

1 SUPPLIED IN LOOSE PIECE.



63962-1  
PART NO.

THIS DRAWING IS A CONTROLLED DOCUMENT.		DWN JR RUTH 1/14/97	 <b>TE Connectivity</b> RECEPTACLE, FASTIN-FASTON, .250 SERIES		
DIMENSIONS: INCHES		CHK MS FEHER 1/14/97			
TOLERANCES UNLESS OTHERWISE SPECIFIED:		APVD J GILLESPIE 1/14/97			
0 PLC ± - 1 PLC ± - 2 PLC ± 0.25 [.010] 3 PLC ± - 4 PLC ± - ANGLES ± -		NAME			
MATERIAL BRASS		FINISH TIN OVER COPPER	PRODUCT SPEC	APPLICATION SPEC	RESTRICTED TO
		WEIGHT -	SIZE A3	CAGE CODE 00779	DRAWING NO C-63962
CUSTOMER DRAWING			SCALE 4:1	SHEET 1 OF 1	REV B