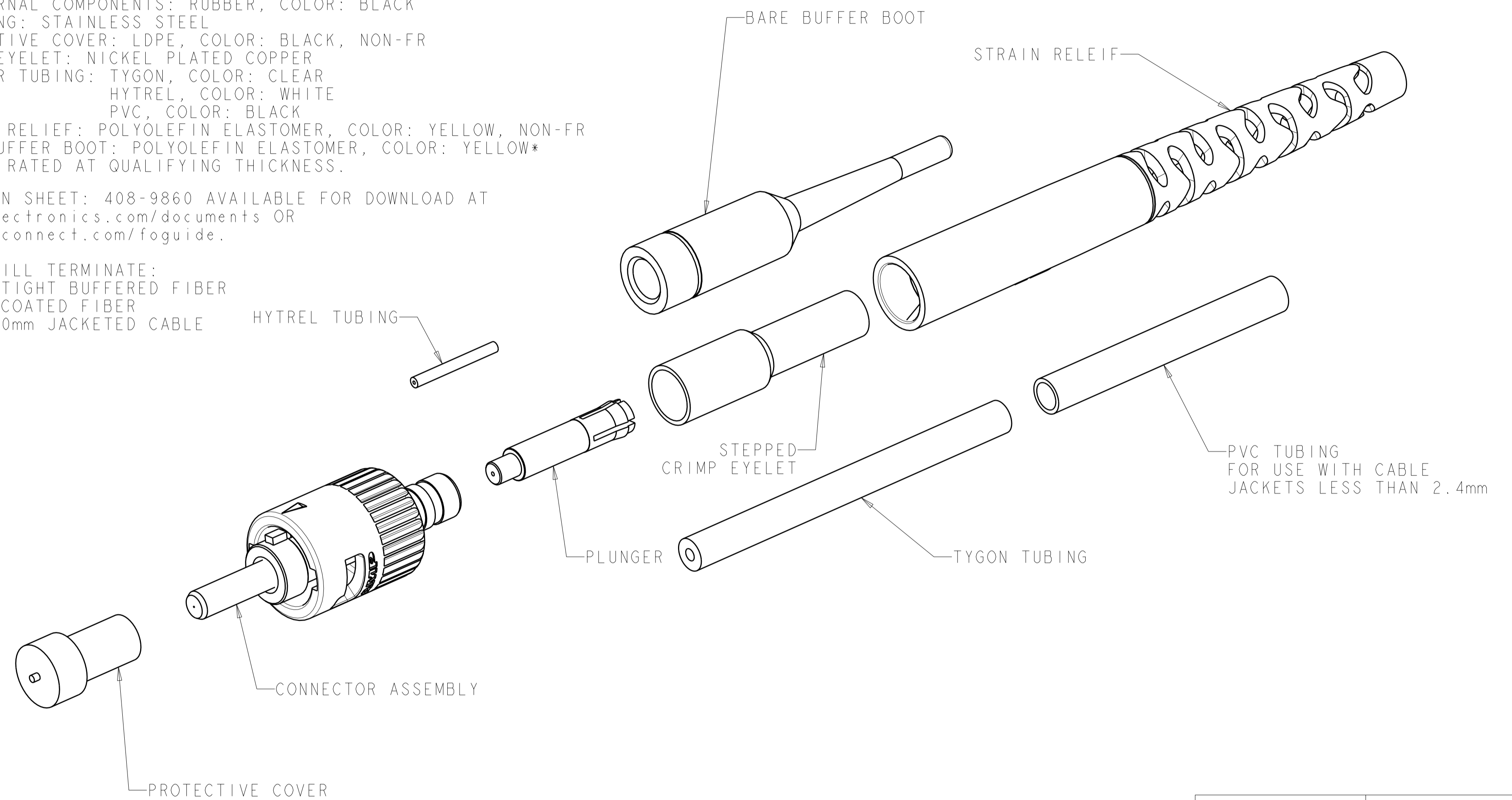


THIS DRAWING IS UNPUBLISHED. RELEASED FOR PUBLICATION 20
 © COPYRIGHT 20 BY TYCO ELECTRONICS CORPORATION. ALL RIGHTS RESERVED.

LOC	DIST	REVISIONS			
P	LTR	DESCRIPTION	DATE	DWN	APVD
CE	00	A	RELEASE TO ACTIVE	08JUN2006	BB LS
		AI	ADD NOTE 2	12MAR2009	BB SB

⚠ MATERIAL:
CONNECTOR ASSEMBLY:
 REAR BODY: ALUMINUM ALLOY
 PLUNGER: ALUMINUM ALLOY
 FERRULE: CERAMIC
 COUPLING NUT: NICKEL PLATED ZINC
 INTERNAL COMPONENTS: RUBBER, COLOR: BLACK
 SPRING: STAINLESS STEEL
 PROTECTIVE COVER: LDPE, COLOR: BLACK, NON-FR
 CRIMP EYELET: NICKEL PLATED COPPER
 POLYMER TUBING: TYGON, COLOR: CLEAR
 HYTREL, COLOR: WHITE
 PVC, COLOR: BLACK
 STRAIN RELIEF: POLYOLEFIN ELASTOMER, COLOR: YELLOW, NON-FR
 BARE BUFFER BOOT: POLYOLEFIN ELASTOMER, COLOR: YELLOW*
 *UL94 V-0 RATED AT QUALIFYING THICKNESS.

- INSTRUCTION SHEET: 408-9860 AVAILABLE FOR DOWNLOAD AT
www.tycoelectronics.com/documents OR
www.ampnetconnect.com/foguide.
- THIS KIT WILL TERMINATE:
 900um TIGHT BUFFERED FIBER
 250um COATED FIBER
 2.0-3.0mm JACKETED CABLE



0.8-1.0mm	5504000-1
BUFFER SIZE	PART NUMBER

THIS DRAWING IS A CONTROLLED DOCUMENT FOR TYCO ELECTRONICS CORPORATION IT IS SUBJECT TO CHANGE AND THE CONTROLLING ENGINEERING ORGANIZATION SHOULD BE CONTACTED FOR THE LATEST REVISION.		DWN B. BRIGGS 02DEC2005	Tyco Electronics Harrisburg, PA 17105-3608	
DIMENSIONS: mm		CHK L. SAUERWEIN 02DEC2005	NAME CONNECTOR KIT, XTC, 125um, CERAMIC, SINGLEMODE	
TOLERANCES UNLESS OTHERWISE SPECIFIED: 0 PLC ± 1 PLC ± 2 PLC ± 3 PLC ± 4 PLC ± ANGLES ± FINISH		APVD S. BUCHTER 02DEC2005	SIZE A200779	
MATERIAL ⚠		PRODUCT SPEC -	DRAWING NO C-5504000	
		APPLICATION SPEC -	RESTRICTED TO -	
		WEIGHT -	SCALE 5:1 SHEET 1 OF 1 REV AI	
		CUSTOMER DRAWING		