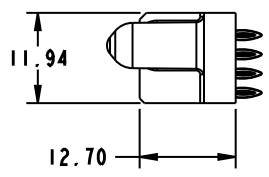
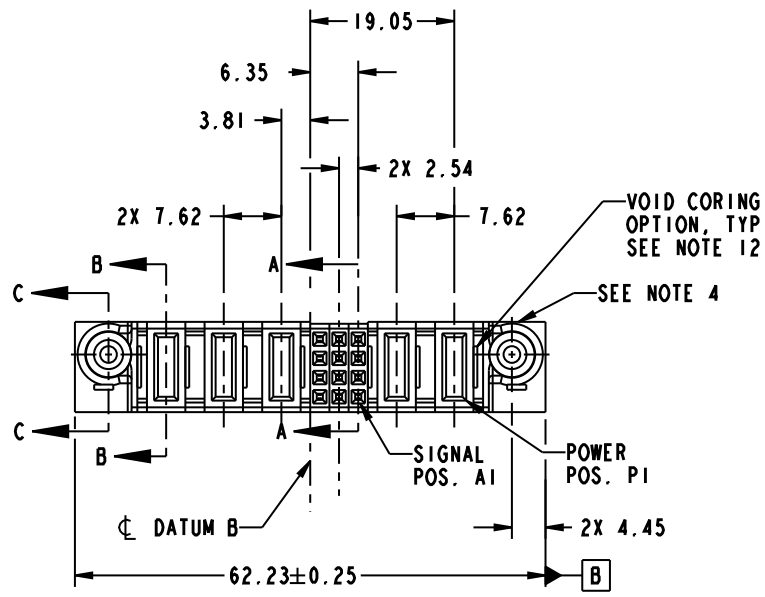


PRODUCT NO.	ROWS	POWER		SIGNAL			POWER				
		E2	P5	P4	P3	3	2	1	P2	P1	E1
51940-386-- NOTE: 3	D C B A		PC	PF	PF	F	F	F	PF	PF	



CODE	DIM "M" MATING LENGTH	CONTACT TYPE
PF	[2.34]	POWER
F	[N/A]	SIGNAL
PC	[1.07]	POWER

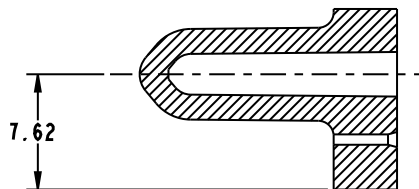
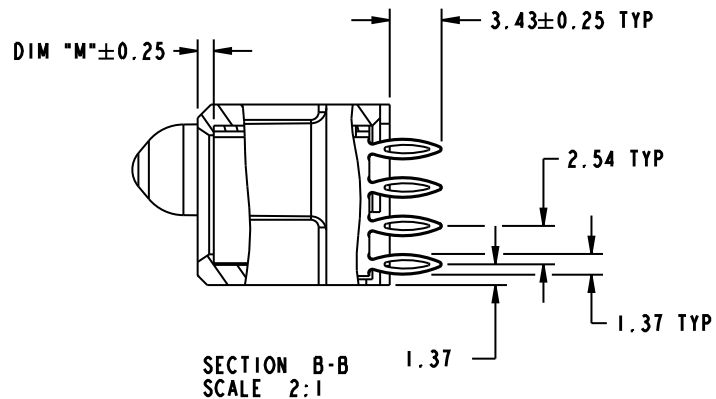
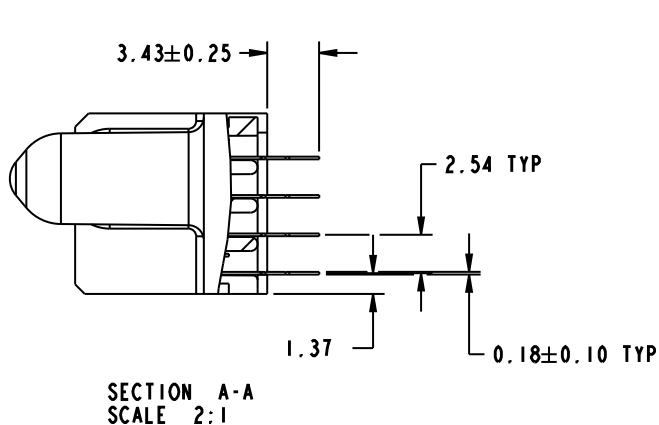
spec ref	SEE NOTE	dr	XO Wang	2011-05-11	projection 	MM ←→	size	A4	scale	1:1
tolerance std	TOLERANCES UNLESS OTHERWISE SPECIFIED	eng	Anson Liu	2011-05-11			product family	PwrBlade	rel level	Released
SEE NOTE		chr	PM ZHENG	2011-05-11				ecn no	*	
surface ✓	linear	0.X	±0.5	FCI www.fci.com	2ACP + 12S + 3ACP VERTICAL PRESS-FIT RECEPT	dwg no	51940-386	rev	A	
		0.XX	±0.25							
	angular	0°	±2°							
		appr	Joseph Hsia	2011-05-11	cat. no.	-	Product - Customer Drw	sheet 1 of 4		



Copyright FCI.

PRODUCT NUMBER

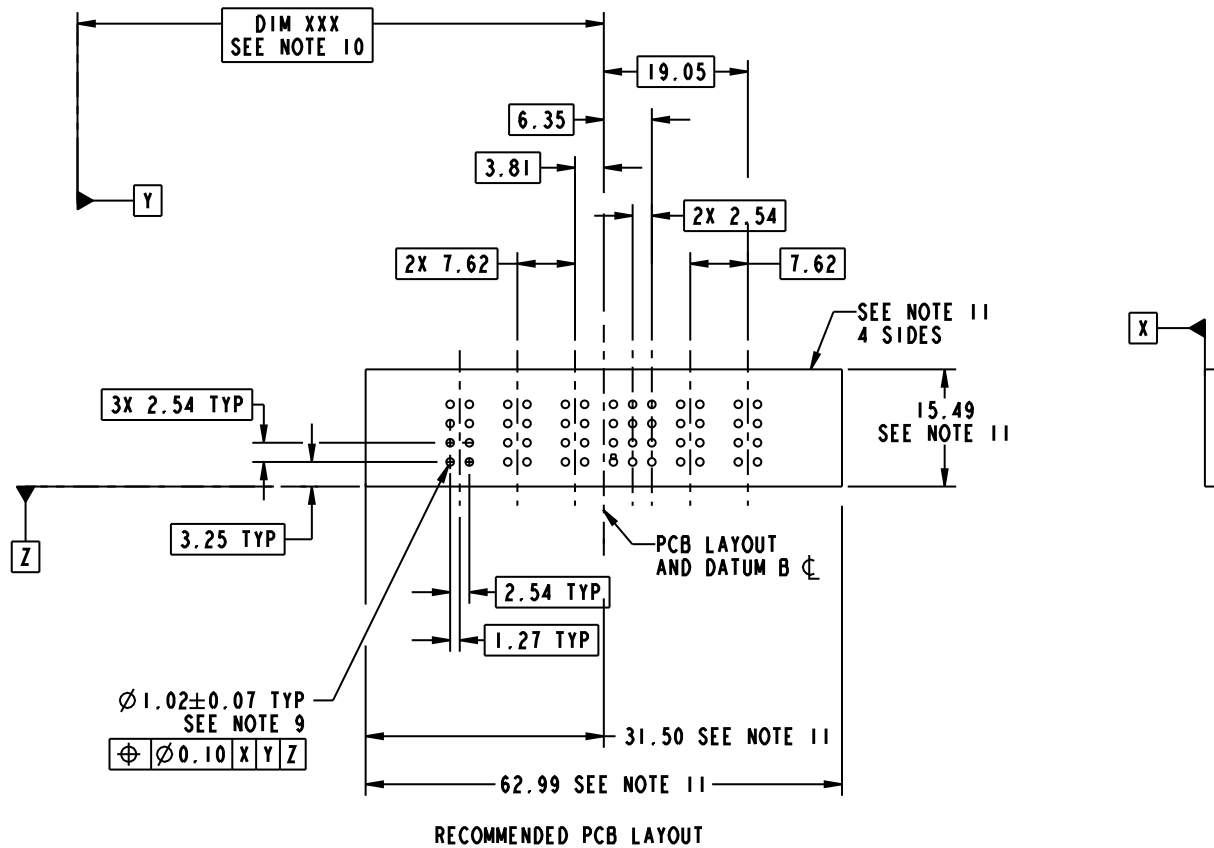
51940-386..
NOTE: 3



spec ref		SEE NOTE		dr	XO Wang	2011-05-11	projection 	MM ←→	size	A4	scale	1:1
tolerance std		TOLERANCES UNLESS OTHERWISE SPECIFIED		eng	Anson Liu	2011-05-11			ecn no	rel level	Released	
SEE NOTE				chr	PM ZHENG	2011-05-11					product family	PwrBlade
surface	✓	linear	0.X	±0.5		2ACP + 12S + 3ACP	dwg no	51940-386	rev	A		
			0.XX	±0.25								
			0.XXX	±0.1								
angular	0°	±2°	www.fci.com	cat. no.	-	Product - Customer Drw	sheet 2 of 4					

PRODUCT NUMBER

51940-386--
NOTE: 3



spec ref		SEE NOTE		dr	XO Wang	2011-05-11	projection 	MM ←→	size	A4	scale	1:1	
tolerance std		TOLERANCES UNLESS OTHERWISE SPECIFIED		eng	Anson Liu	2011-05-11			ecn no	rel level	Released		
SEE NOTE				chr	PM ZHENG	2011-05-11							
surface		linear		appr	Joseph Hsia	2011-05-11	product family		PwrBlade				
		0.X				2ACP + 12S + 3ACP VERTICAL PRESS-FIT RECEPT		dwg no		51940-386		rev A	
		0.XX											
		0.XXX											
		angular		www.fci.com		cat. no.		Product - Customer Drw		sheet 3 of 4			
		0°											

PRODUCT NUMBER

51940-386--
NOTE: 3

NOTES:

1. DIMENSIONS AND TOLERANCES ARE IN ACCORDANCE WITH ASME Y14.5M, 1994 UNLESS OTHERWISE SPECIFIED.

CONNECTOR NOTES:

2 HOUSING MATERIAL: UL 94 V-0 GLASS FILLED HIGH-TEMP THERMOPLASTIC
POWER CONTACT MATERIAL: COPPER ALLOY
SIGNAL PIN MATERIAL: COPPER ALLOY

3. SEE ITEM 7 & 8 IN PRINT 10064183 FOR PLATING SPEC OF 51940-386 AND 51940-386LF RESPECTIVELY.

4 MANUFACTURER'S NAME, DATE CODE AND OPTIONAL P/N TO APPEAR ON THIS SURFACE. THE P/N CAN BE OMITTED IF THERE IS NOT ENOUGH SPACE ON THIS SURFACE.

5. PRODUCT SPECIFICATION GS-12-149.
APPLICATION SPECIFICATION BUS-20-067.

6. PACKAGED IN TRAYS.

PCB NOTES:

7. ALL HOLE DIAMETERS ARE FINISHED HOLE SIZE.

8 MOUNTING HOLES, WHERE APPLICABLE, ARE UNPLATED.

9 $\varnothing 1.151 \pm 0.025$ DRILLED HOLES PLATED WITH
0.008 MIN SnPb OR Sn OVER 0.03
TO 0.08 Cu PLATING TO ACHIEVE
 $\varnothing 1.02 \pm 0.07$ HOLE.

10 "DIM XXX" TO BE DETERMINED BY THE CUSTOMER.

11 CONNECTOR KEEP-OUT ZONE.

12. THE VOID CORING IN BETWEEN POWER MODULES, SIGNAL MODULES AND END MODULES ARE OPTIONAL AND THE SHAPE MAY BE DIFFERENT FOR OPTIMIZE THE MOLDING PROCESS. THE VOID CORING WILL NOT EFFECT TO PRODUCT FUNCTION.

spec ref		SEE NOTE		dr	XO Wang	2011-05-11	projection 	MM 	size	A4	scale	1:1
tolerance std		TOLERANCES UNLESS OTHERWISE SPECIFIED		eng	Anson Liu	2011-05-11			ecn no	rel level	Released	
SEE NOTE				chr	PM ZHENG	2011-05-11						
				appr	Joseph Hsia	2011-05-11	product family		PwrBlade			
surface	linear	0.X	± 0.5		2ACP + 12S + 3ACP VERTICAL PRESS-FIT RECEPT			dwg no	51940-386		rev	A
		0.XX	± 0.25									
		0.XXX	± 0.1									
	angular	0°	$\pm 2°$	www.fci.com	cat. no.	-	Product - Customer Drw			sheet 4 of 4		



Copyright FCI.