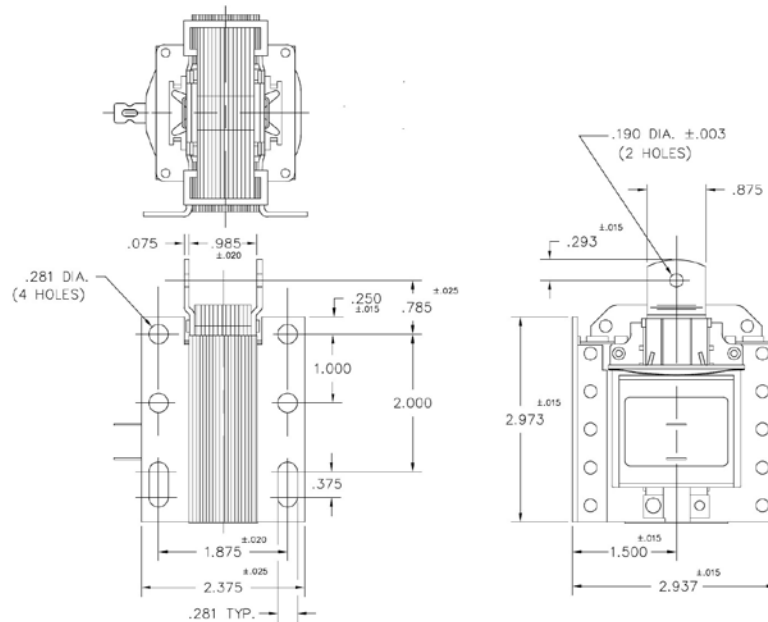
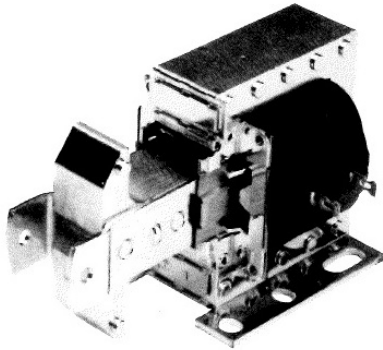


# Series 3000 – 1” Stack

# AC Laminated Pull Solenoid

Size: 2.973” L X 2.375” W X 2.937”H

ALL PRODUCTS ARE RoHS COMPLIANT



Solenoid shown energized in drawing with plunger fully seated

Part No.	Duty Cycle	Voltage	Resistance (Ω) ± 5%	Max On Time	Watts Seated (W)	Current Seated (A)
3000-M-1	Continuous	120 VAC / 60Hz	6.5	∞	25.0	0.66
3500-M-1	Intermittent	120 VAC / 60 Hz	4.8	3 mins	47.0	1.80
3001-M-1	Continuous	240 VAC / 60 Hz	26.0	∞	23.5	0.33
3501-M-1	Intermittent	240 VAC / 60 Hz	19.3	3 mins	48.0	0.68

Continuous Duty = 100% "On" Time  
 Intermittent Duty = 20% "On" Time  
 When ordering please refer to Part No. as listed above

Stroke (in.)	Typical Pull Force (oz.)									Holding Force (oz.)
	0.060	0.125	0.250	0.375	0.500	0.625	0.750	1.000	1.250	
Continuous Duty	448	256	192	188	192	210	232	256	192	192
Intermittent Duty	576	448	320	304	312	336	352	352	256	N/A

**Additional Specifications:**

- Dielectric Strength: 1500 VRMS
- Heat Sink: None
- Coil Insulation: Class "A": 105°C Max Temperature
- Coil Termination: Solder Lugs
- Total Unit Weight: 6.5 oz. / 184 g

