

1 2 3 4 5 6

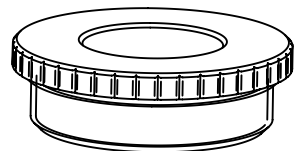
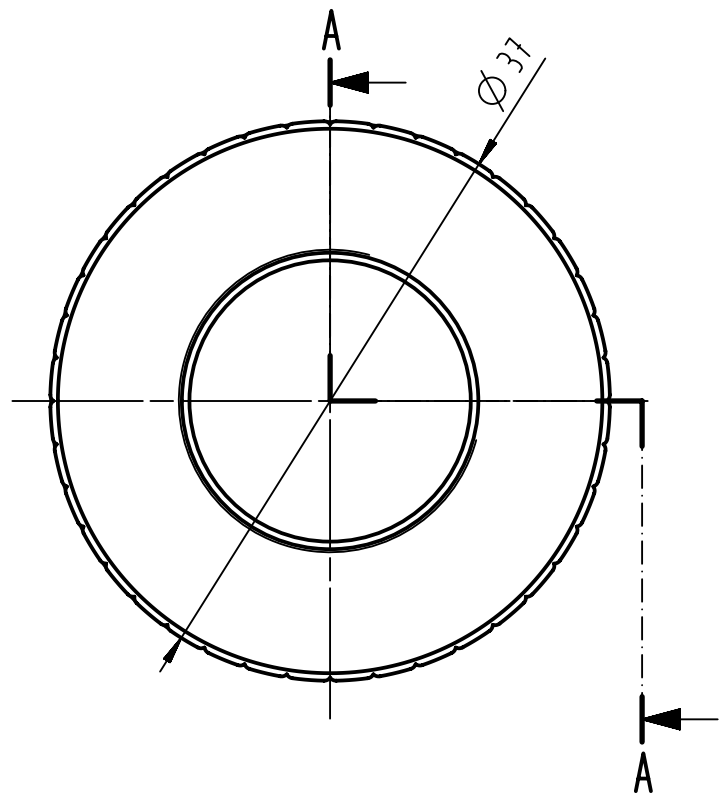
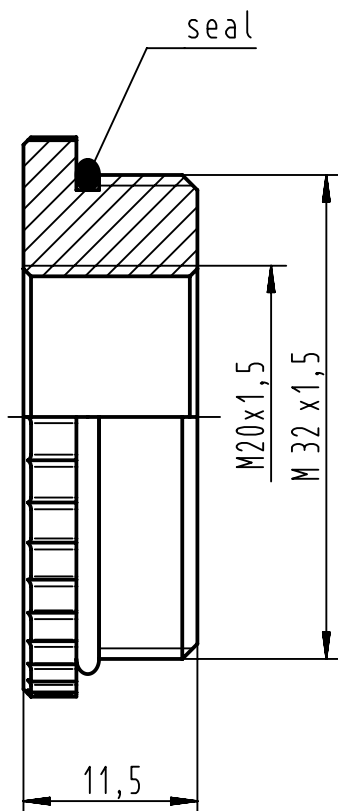
A

B

C

D

A-A



	All Dimensions in mm Original Size DIN A4		Scale 2:1	Free size tol.		Ref.	
						Sub.	
	All rights reserved		Created by MOELLERLI	Inspected by SUNDERMEIER	Standardisation SCHMIDTM	Date 2013-02-25	State Final Release
	Department EL PD - DE		Title Reducer IP68 M32-M20			Doc-Key / ECM-Nr. 100530896/UGD/001/A	
HARTING Electric GmbH & Co. KG D-32339 Espelkamp			Type TB	Number 19 00 000 5066		Rev. A	Page 1/1