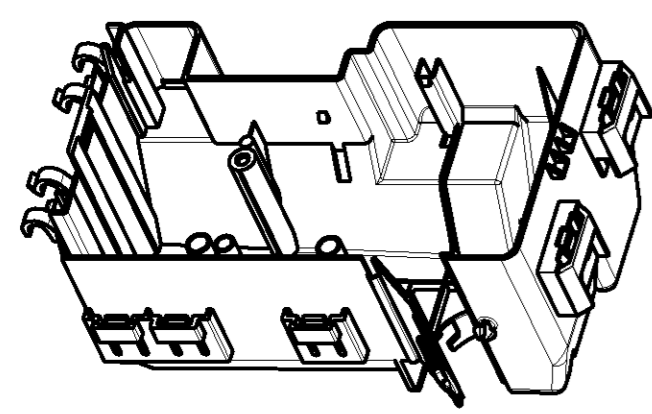
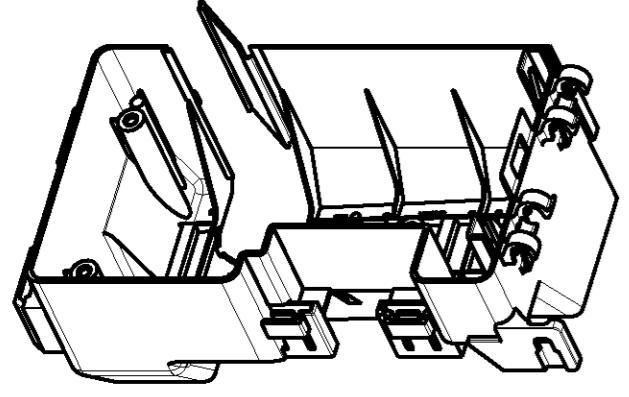
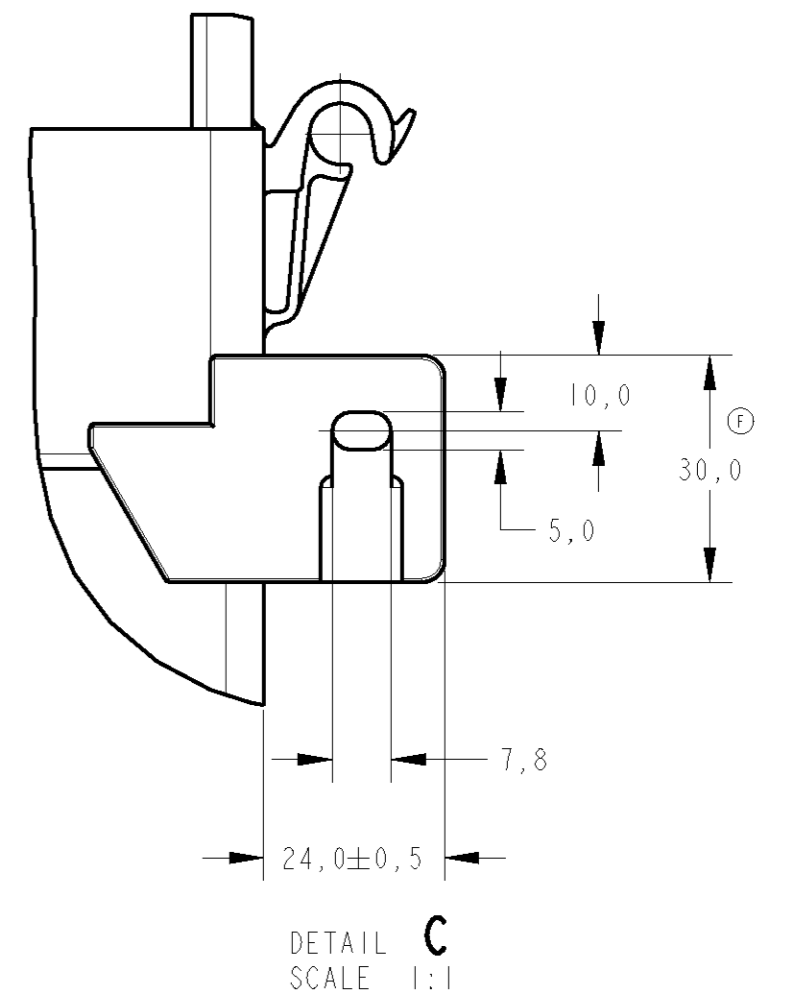
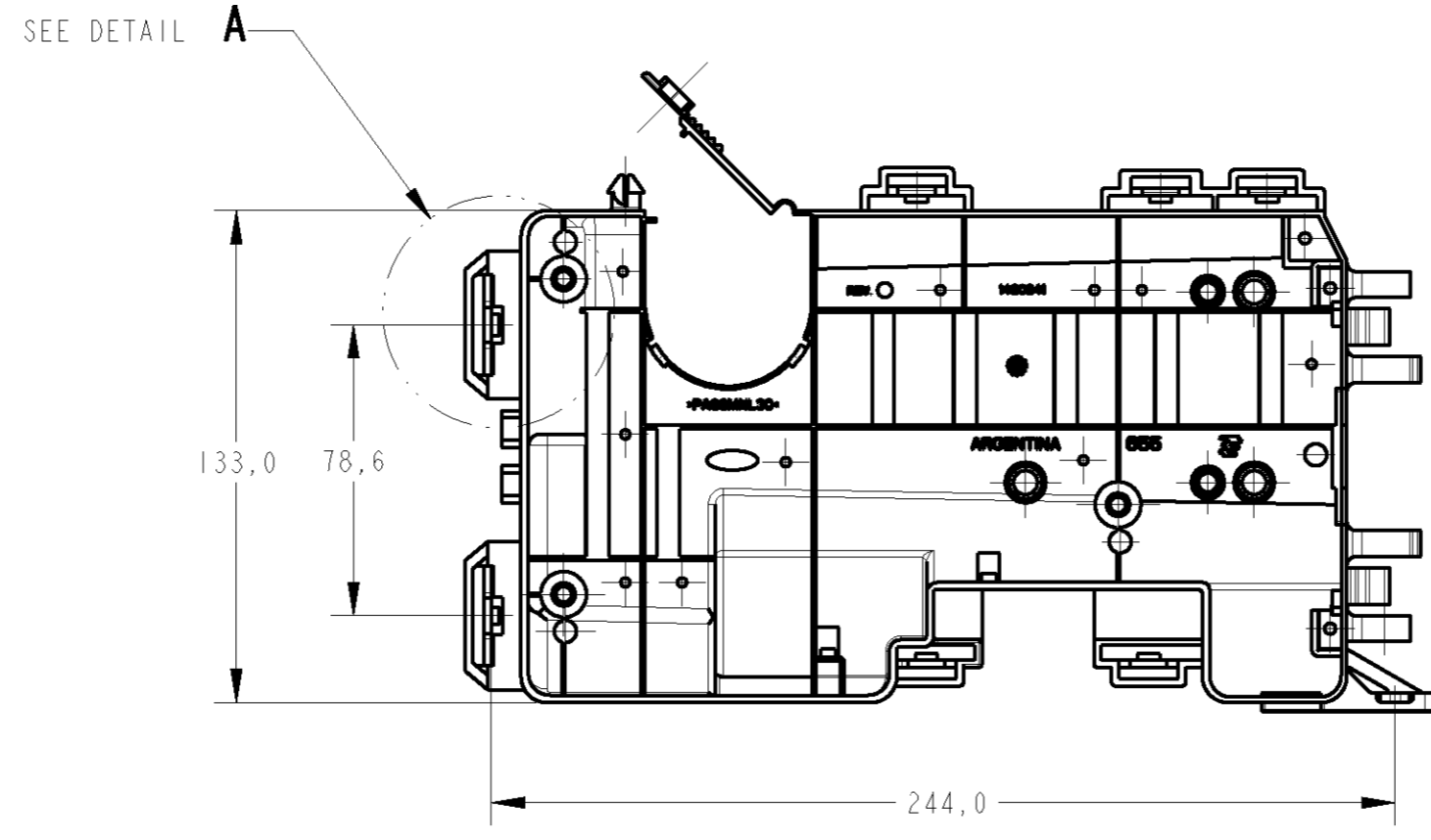
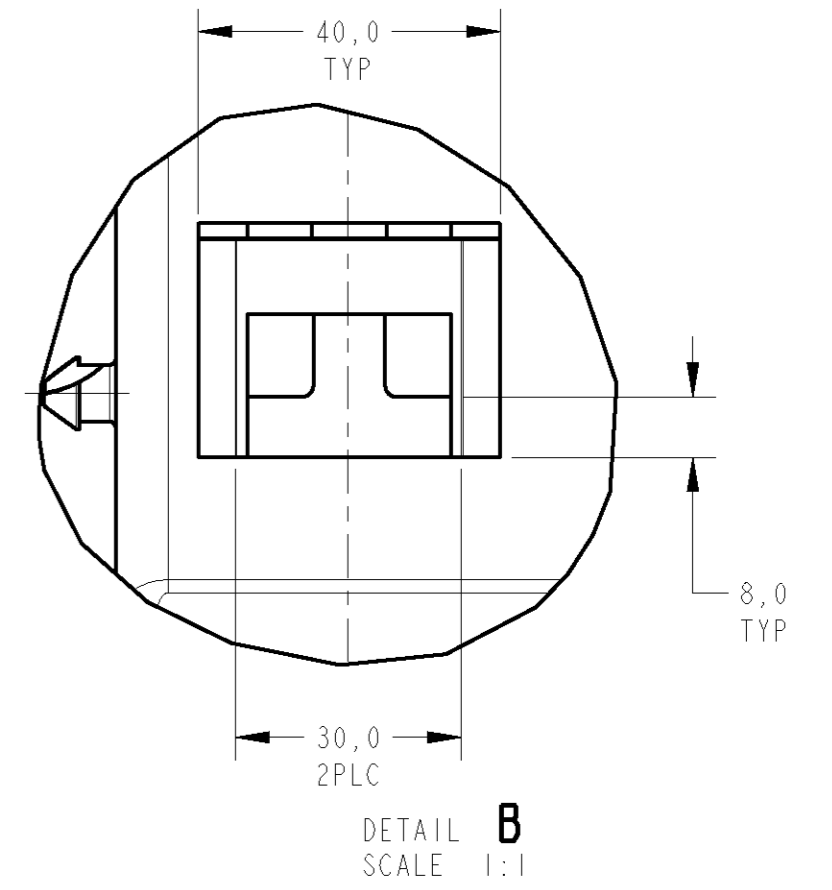
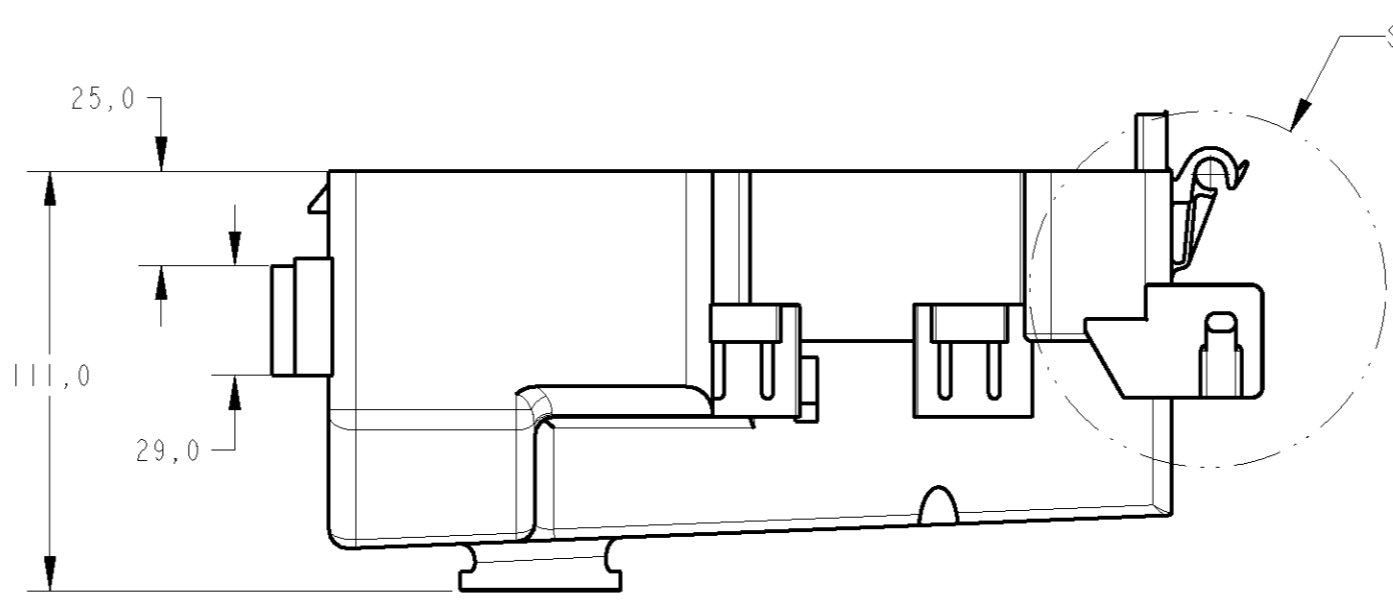
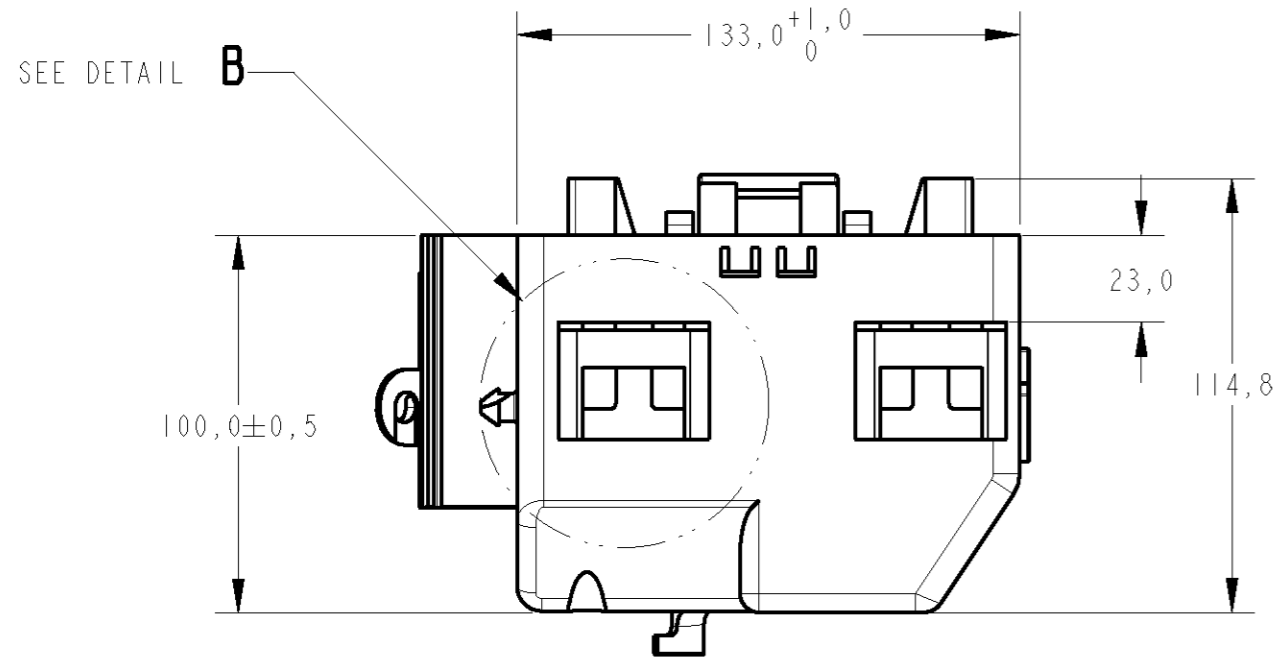


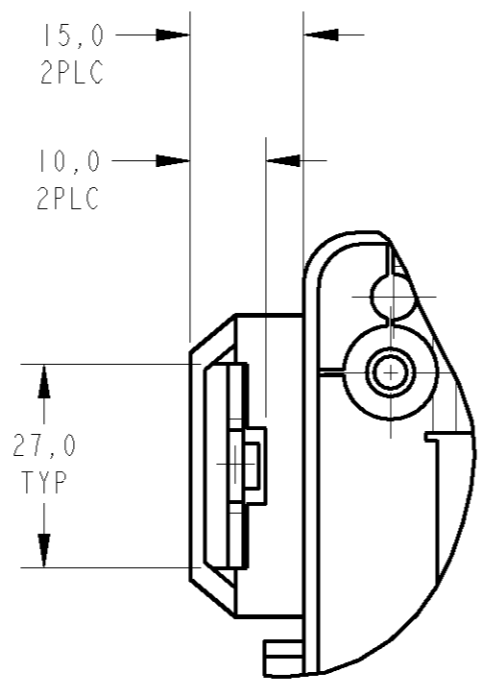
THIS DRAWING IS UNPUBLISHED. RELEASED FOR PUBLICATION 20  
 © COPYRIGHT 20 BY TYCO ELECTRONICS CORPORATION. ALL RIGHTS RESERVED.

| LOC | DIST | REVISIONS                |           |      |      |
|-----|------|--------------------------|-----------|------|------|
| P   | LTR  | DESCRIPTION              | DATE      | DWN  | APVD |
| AP  | -    |                          |           |      |      |
|     | G    | REVISED BY ECO-07-024669 | 19OCT2007 | NCL  | MR   |
|     | G1   | REVISED BY ECO-08-018966 | 06AUG2008 | EGS  | PLF  |
|     | G2   | REVISED BY ECO-09-015132 | 26JUN2009 | RKTL | GO   |

**CAD**  
**DO NOT REVISE**  
**EXCEPT BY CAD**



PERSPECTIVE VIEW  
 SCALE 3:10



DETAIL A  
 SCALE 1:1

THIS DRAWING IS A CONTROLLED DOCUMENT FOR TYCO ELECTRONICS CORPORATION  
 IT IS SUBJECT TO CHANGE AND THE CONTROLLING ENGINEERING ORGANIZATION  
 SHOULD BE CONTACTED FOR THE LATEST REVISION.

|             |  |
|-------------|--|
| DIMENSIONS: | TOLERANCES UNLESS OTHERWISE SPECIFIED: |
| mm          |  |
| 0 PLC       | ±                                      |
| 1 PLC       | ±0.3                                   |
| 2 PLC       | ±                                      |
| 3 PLC       | ±                                      |
| 4 PLC       | ±                                      |
| ANGLES      | ±                                      |
| FINISH      | SEE TABLE                              |
| MATERIAL    | SEE TABLE                              |

|                                 |  |                    |
|---------------------------------|--|--------------------|
| PRETO/BLACK                     | PA 66+30% MNL  | 1480841-1          |
| <b>FINISH</b>                   | <b>MATERIAL</b>  | <b>PART NUMBER</b> |
| DWN<br>E.J.G.SILVA<br>20SEP2002 | Tyco Electronics TYCO ELECTRONICS do Brasil LTDA.<br>São Paulo, Brasil |                    |
| CHK<br>P.L.FARIA<br>20SEP2002   | NAME<br>COVER LOWER PART   |                    |
| APVD<br>D.OLIVEIRA<br>20SEP2002 | SIZE<br>A2   | CAGE CODE<br>00779 |
| PRODUCT SPEC<br>NA              | DRAWING NO<br>C-1480841  | RESTRICTED TO<br>- |
| APPLICATION SPEC<br>NA          | SCALE<br>1:2   | SHEET<br>1         |
| WEIGHT<br>-                     | REV<br>G2  |                    |
| CUSTOMER DRAWING                |  |                    |