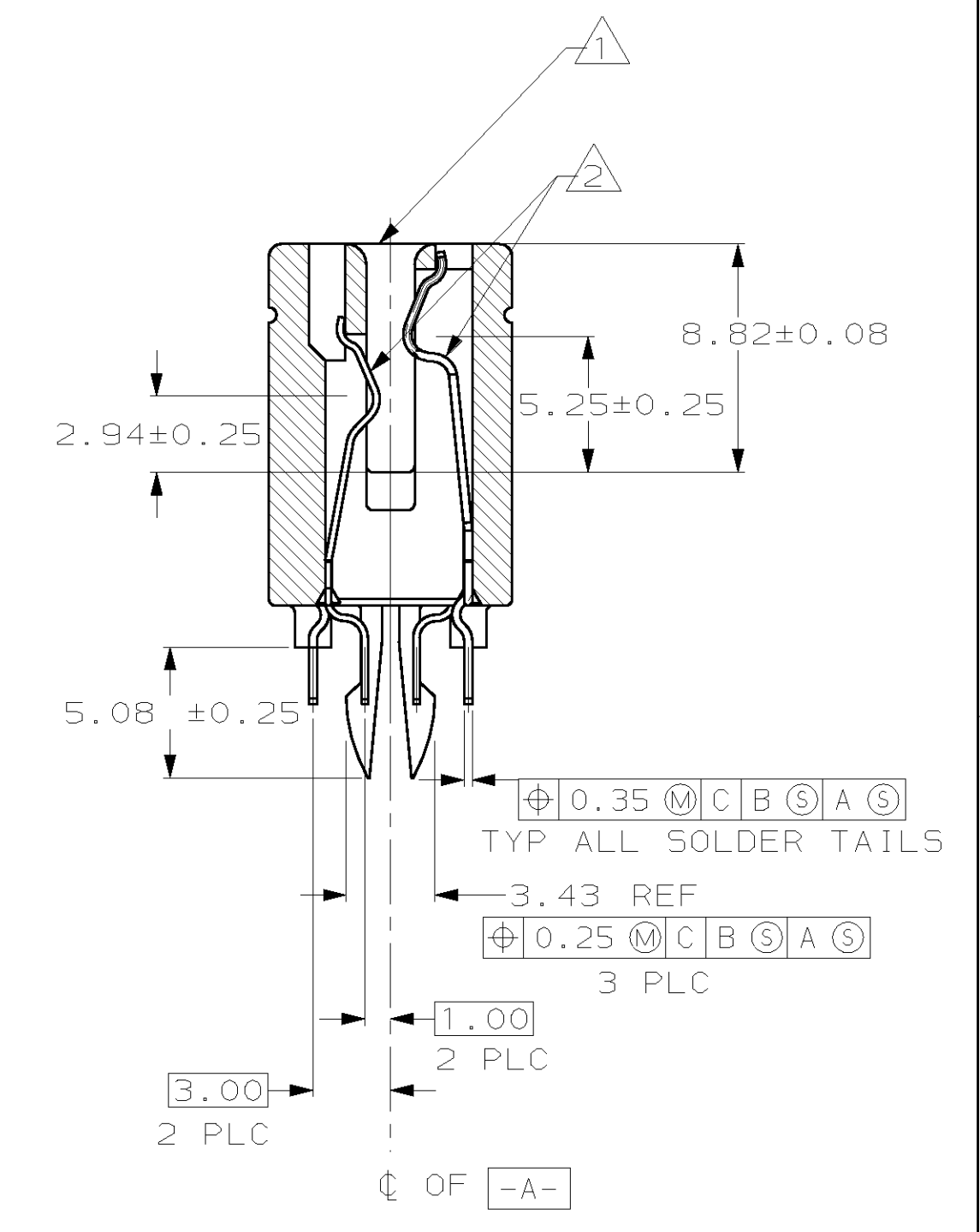
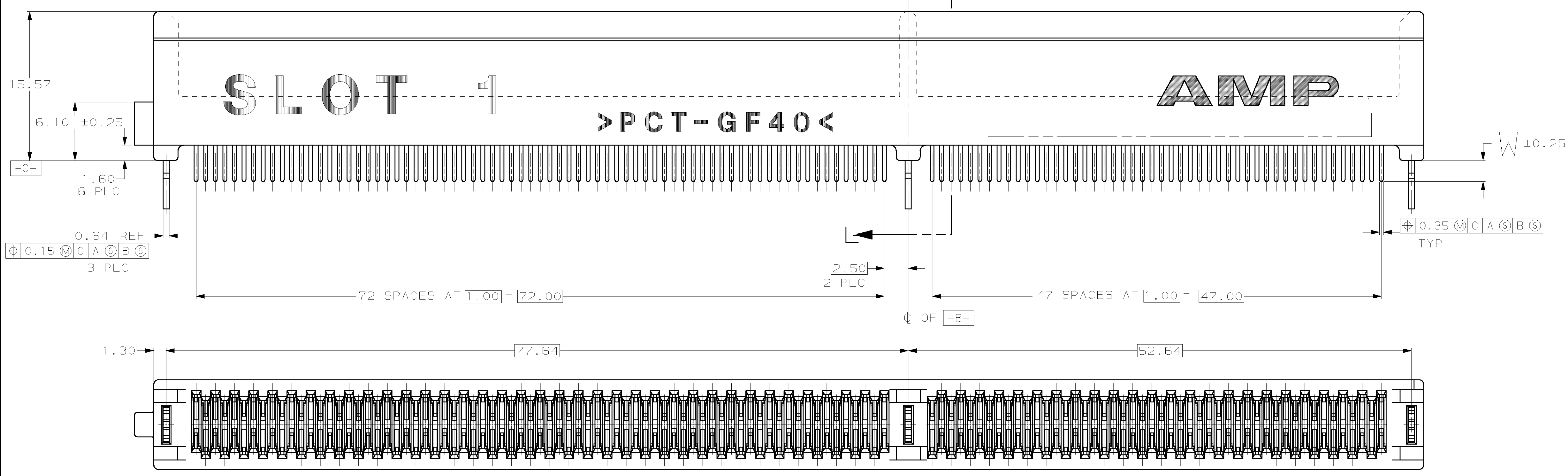
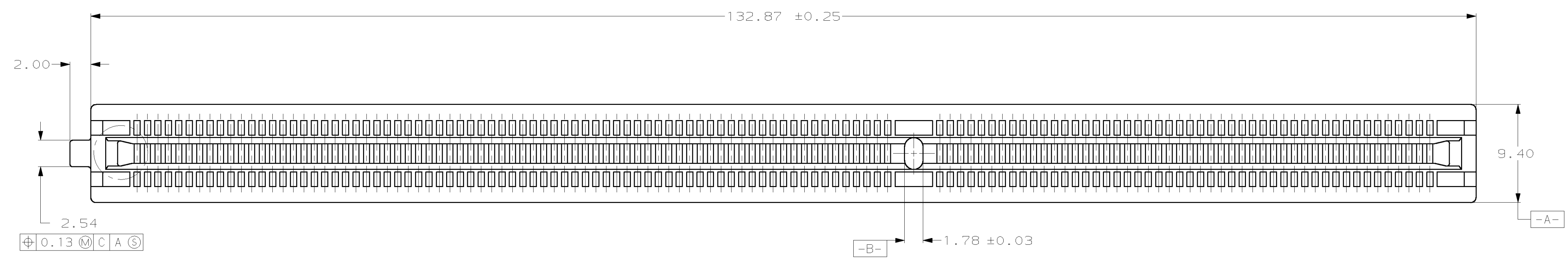


LOC	DIST	REV	DATE	BY	CHK	APPROV
AD	14	0	3/25/98	RB	DD	
		A	8/5/98	RB	DD	
		B	01/17/99	MM	EL	
		C	01/20/99	MM	DD	
		D	05/17/99	MM	EL	



- ① MATERIAL: HOUSING, THERMOPLASTIC, COLOR: BROWN.
CONTACTS, PHOSPHOR BRONZE.
HOLD-DOWNS, BERYLLIUM COPPER.
- ② FINISH: CONTACTS, 1.27 MIN. MICROMETERS NICKEL ALL OVER,
0.38 MIN. MICROMETERS GOLD OVER NICKEL IN CONTACT AREA,
2.54 MIN MICROMETERS TIN-LEAD OVER NICKEL ON SOLDER TAILS.
- ③ FINISH: CONTACTS, 1.27 MIN. MICROMETERS NICKEL ALL OVER,
0.0254-0.0762 MICROMETERS GOLD OVER NICKEL IN CONTACT AREA.
2.54 MIN. MICROMETERS TIN-LEAD OVER NICKEL ON SOLDER TAILS.

①	2.54	145336-5
②	2.54	145336-2
③	2.16	145336-1
PLATING	W	PART NO

THIS DRAWING IS A CONTROLLED DOCUMENT.

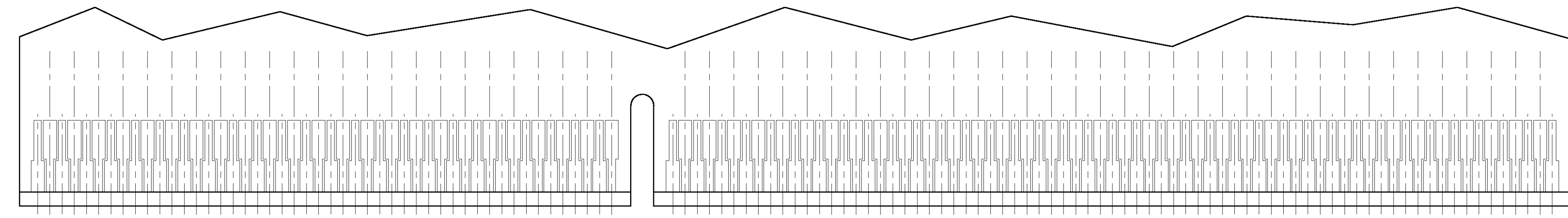
DIMENSIONS:	TOLERANCES UNLESS OTHERWISE SPECIFIED:	DATE	3/25/98
mm	0 PLC ±	BY	R BROWN
	1 PLC ±	CHK	D DIXON
	2 PLC ±0.13	DATE	3/25/98
	3 PLC ±	BY	D SARVER
	4 PLC ±	NAME	
	ANGLES	PRODUCT SPEC	
		APPLICATION SPEC	
MATERIAL	FINISH	WEIGHT	
		SCALE	4:1
		SHEET	1 of 2
		REV	D

AMP Incorporated
 Harrisburg, PA 17105-3608

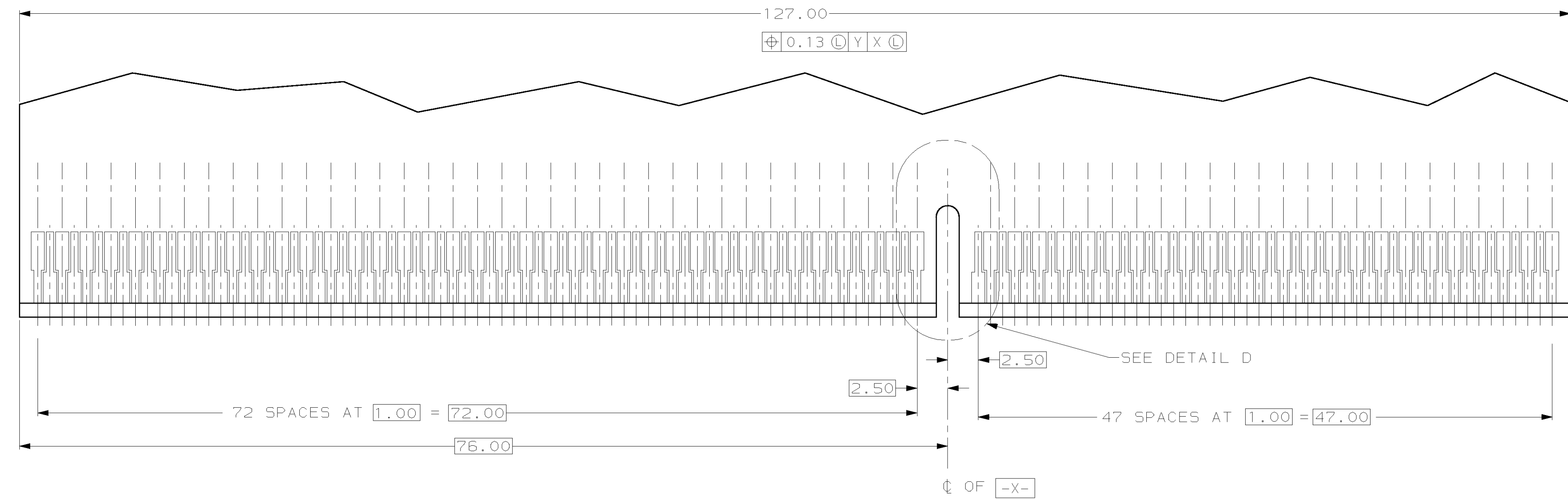
AMP, 1mm ϕ STANDARD EDGE ASSEMBLY, 242 POSITION

A1 00779 C-145336

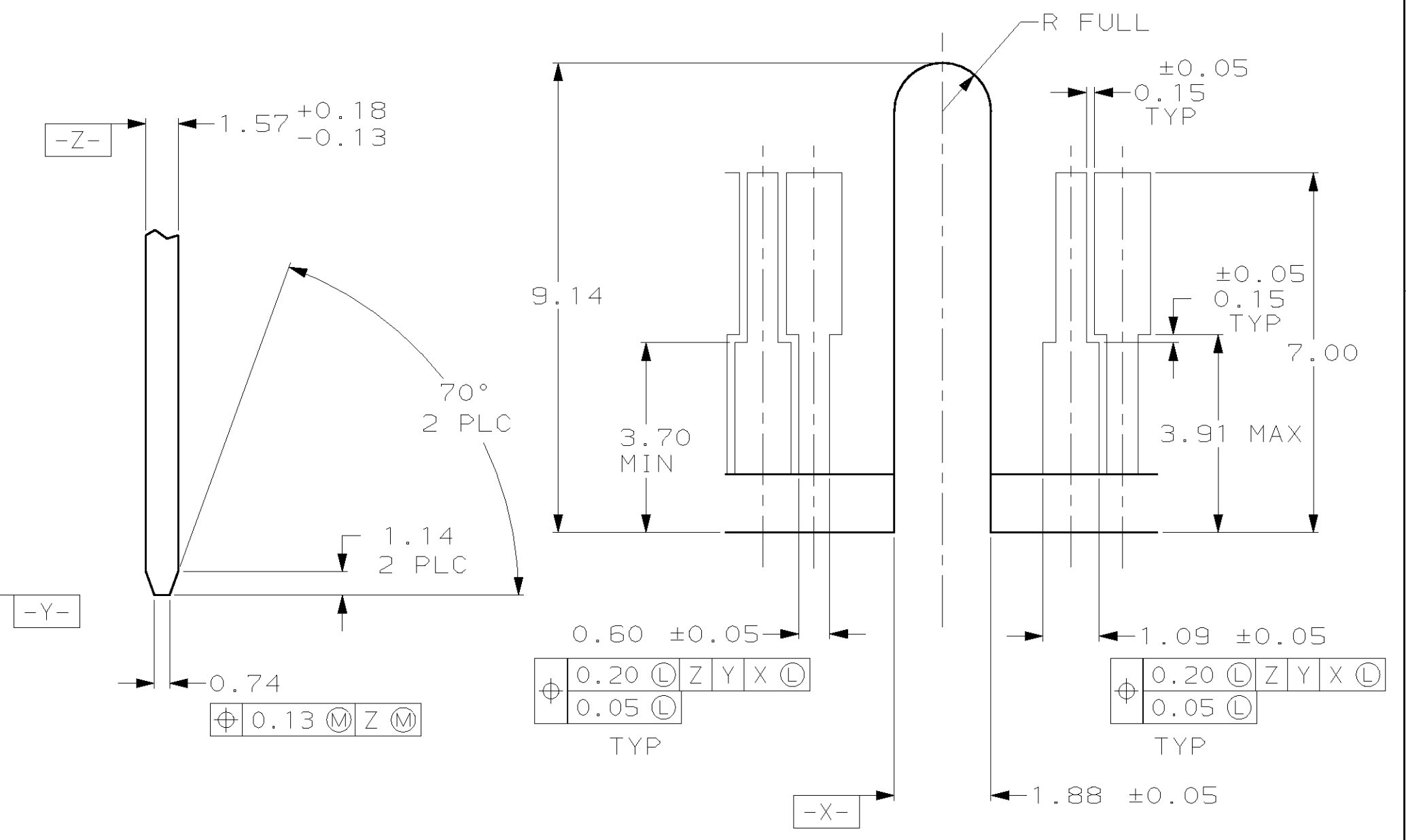
REV. NO.		REVISIONS			
NO.	DATE	DESCRIPTION	DATE	OWN	APPROV
AD	14	D	SEE SHEET 1	-	-



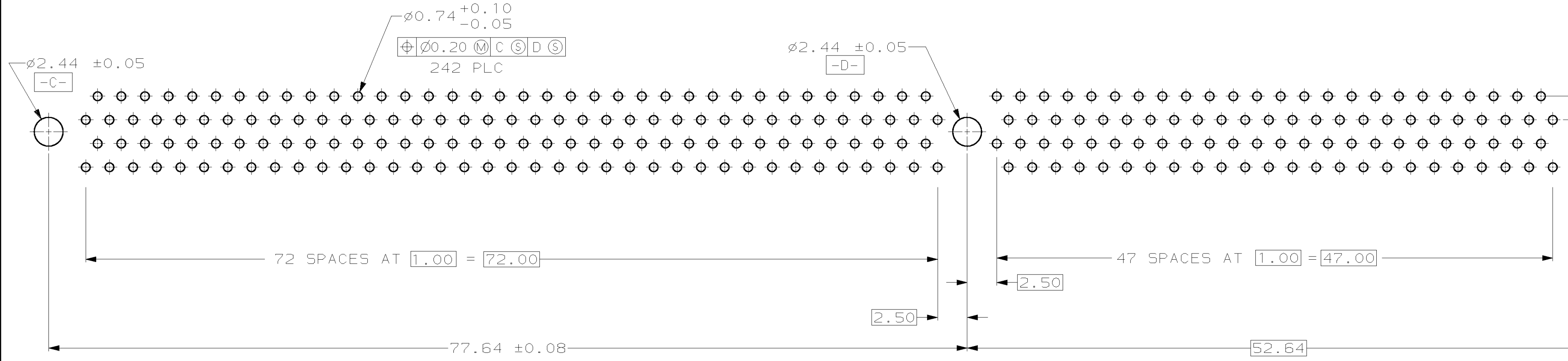
RECOMMENDED CONNECTOR MATING PAD PATTERN
(SECONDARY SIDE SHOWN)



RECOMMENDED CONNECTOR MATING PAD PATTERN
(PRIMARY SIDE SHOWN)



DETAIL D
SCALE 10:1



RECOMMENDED CONNECTOR MOUNTING HOLE PATTERN
(CONNECTOR SIDE SHOWN)

THIS DRAWING IS A CONTROLLED DOCUMENT.		DWN R BROWN	3/25/98	AMP AMP Incorporated Harrisburg, PA 17105-3608
DIMENSIONS: mm		CHK D DIXON	3/25/98	
TOLERANCES UNLESS OTHERWISE SPECIFIED:		APPROV V RUMINSKI	3/25/98	NAME AMP, 1mm ϕ STANDARD EDGE ASSEMBLY, 242 POSITION
0 PLC \pm	1 PLC \pm	PRODUCT SPEC		SIZE A1 00779
2 PLC ± 0.13	3 PLC \pm	APPLICATION SPEC		CAGE CODE C-145336
4 PLC \pm	ANGLES \pm	WEIGHT		DRAWING NO 145336
MATERIAL \triangle	FINISH \triangle	CUSTOMER DRAWING		SCALE 4:1 SHEET 2 OF 2 REV D