

# Cable feed-through plates - MC-25-MULTI-65-PV-LG - 1422348


Please be informed that the data shown in this PDF Document is generated from our Online Catalog. Please find the complete data in the user's documentation. Our General Terms of Use for Downloads are valid (<http://phoenixcontact.com/download>)



Cable feed-through plates, no. of conductors: 25, length: 222 mm, width: 92 mm, height: 14 mm, external cable diameter: 4x 5 mm ... 7 mm , color: gray



## Key Commercial Data

Packing unit	1 pc
GTIN	 4 055626 301839
GTIN	4055626301839

## Technical data

### Dimensions

Length	222 mm
Width	92 mm
Height	14 mm
Drill hole distance, horizontal	62 mm
Drill hole distance, vertical	193 mm
External cable diameter	4x 5 mm ... 7 mm
	4x 8 mm ... 12 mm
	12x 10 mm ... 14 mm
	4x 14 mm ... 20 mm
	1x 20 mm ... 26 mm

### Ambient conditions

Degree of protection	IP65 (Minimum sheet thickness $\geq$ 2.5 mm)
Ambient temperature (operation)	-40 °C ... 100 °C

### General

No. of conductors	25
Material	TPE-SEBS

# Cable feed-through plates - MC-25-MULTI-65-PV-LG - 1422348

## Technical data

### General

	galvanized sheet steel (molded with TPE-SEBS)
Flammability rating according to UL 94	V0
Color	light gray
Torque	1.5 Nm ... 2 Nm (Mounting screws)
Note	incl. mounting screws
	2 mm thick coated, galvanized sheet steel
Installation instructions	M8 mounting screw, torque: 1.5 - 2.0 Nm, SW5 Allen key
	The mounting screws included should be used for assembly.  Assembly steps: 1) Fix Multigates with the mounting screws provided (observe torque) 2) Make a hole in the membrane (with a screwdriver) or cut off the tip of the cone 3) Guide the cable through the opening (from the outside). Withdraw the cable approximately 20 mm (to improve strain relief).

### Standards and Regulations

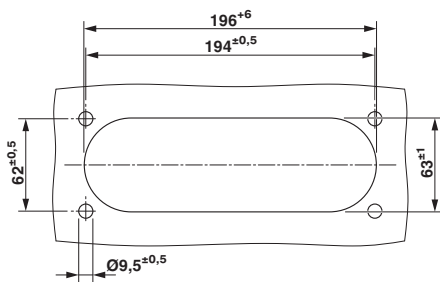
Flammability rating according to UL 94	V0
--	----

### Environmental Product Compliance

China RoHS	Environmentally friendly use period: unlimited = EFUP-e
	No hazardous substances above threshold values

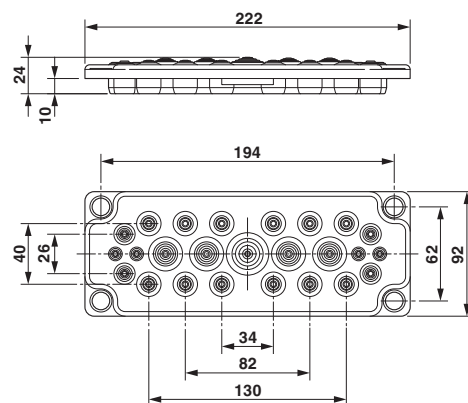
## Drawings

Dimensional drawing



Wall cutout drawing

Dimensional drawing



Dimensional drawing

## Classifications

eCl@ss

eCl@ss 10.0.1	27400569
eCl@ss 11.0	27400569

## Cable feed-through plates - MC-25-MULTI-65-PV-LG - 1422348

### Classifications

#### eCl@ss

eCl@ss 6.0	27409200
eCl@ss 7.0	27409208
eCl@ss 9.0	27400569

#### ETIM

ETIM 6.0	EC001004
ETIM 7.0	EC001004

Phoenix Contact 2021 © - all rights reserved  
<http://www.phoenixcontact.com>

PHOENIX CONTACT GmbH & Co. KG  
Flachsmarktstr. 8  
32825 Blomberg  
Germany  
Tel. +49 5235 300  
Fax +49 5235 3 41200  
<http://www.phoenixcontact.com>