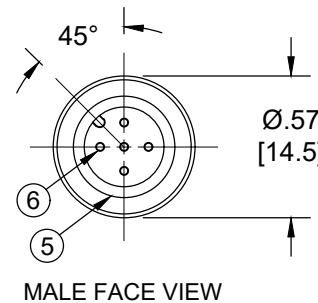
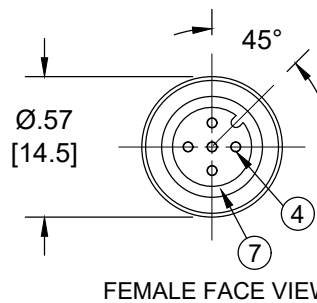
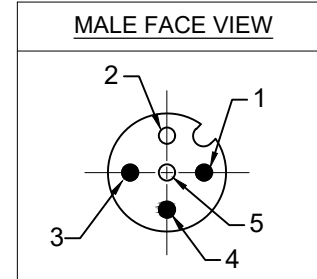
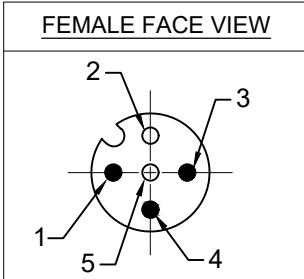
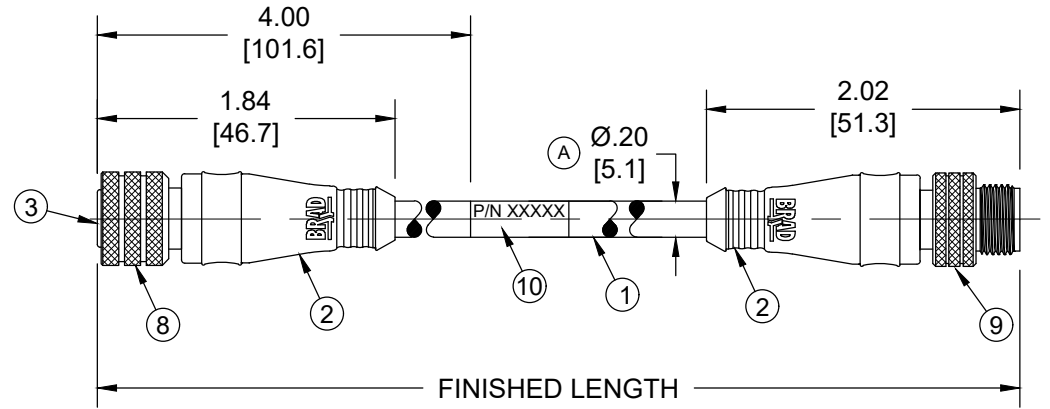
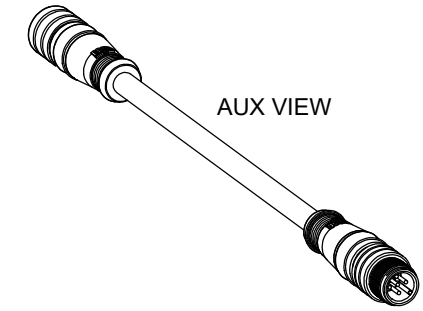


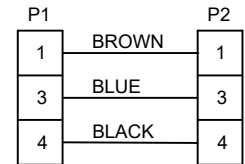
MATERIAL NO.	ENGINEERING NO.	FINISHED LENGTH
1200660162	883030A09M003	0.3M [1FT]
1200660188	883030A09M100	10M [32FT 10 IN]
1200661606	883030A09M250	25M [82FT]



- NOTES:
- MATERIAL: AS NOTED
 - FINISH: AS NOTED
 - ELECTRICAL:
VOLTAGE: 250 VAC/VDC
CURRENT: 4A
 - TEMP RATING: -20°TO +105°C
 - PROTECTION: IP67 (WHEN MATED)
 - COUPLING THREAD: M12X1
 - UL RECOGNIZED FILE: E152210
CSA CERTIFIED FILE: LR6837
 - ALL DIMENSIONS ARE FOR REFERENCE
UNLESS TOLERANCED OR NOTED OTHERWISE

PART NO. MATRIX
883030A09M003

FINISHED LENGTH
M005 = 0.5 METER
M010 = 1 METER
M100 = 10 METER



CABLE LENGTH TOLERANCES

<.3M [1FT]:	+19mm-0 [+.75in-0]
.3 - .9M [1 - 3FT]:	+44.5mm-0 [+1.75in-0]
.9 - 1.8M [3 - 6FT]:	+55.6mm-0 [+2.19in-0]
1.8 - 3.7M [6 - 12FT]:	+88.9mm-0 [+3.50in-0]
3.7 - 7.3M [12 - 24FT]:	+165.1mm-0 [+6.50in-0]
7.3-14.6M [24 - 48FT]:	+317.5mm-0 [+12.50in-0]
14.6 - 30.5M [48-100FT]:	+622.3mm-0 [+24.50in-0]
OVER 30M [100FT]:	+2% OF FINISHED LENGTH

ITEM	DESCRIPTION	MATERIAL	FINISH
10	WRAP LABEL	VINYL	BLACK/YELLOW
9	MALE COUPLING NUT	BRASS	NICKEL PLATED
8	FEMALE COUPLING NUT	BRASS	NICKEL PLATED
7	O-RING	VITON	RED
6	PIN CONTACT	COPPER ALLOY	GOLD OVER NICKEL
5	MALE INSERT	PUR	BLACK
4	SOCKET CONTACT	COPPER ALLOY	GOLD OVER NICKEL
3	FEMALE INSERT	PUR	BLACK
2	OVERMOLD	PUR	YELLOW
1	#22/5 CABLE	PVC JACKET	YELLOW
ITEM	DESCRIPTION	MATERIAL	FINISH

THIS DRAWING CONTAINS INFORMATION THAT IS PROPRIETARY TO MOLEX ELECTRONIC TECHNOLOGIES, LLC AND SHOULD NOT BE USED WITHOUT WRITTEN PERMISSION

FUNCTIONAL SYMBOLS: $F_A=0$, $F_C=0$, $F_P=0$

DIVISIONAL SYMBOLS: $F_A=0$, $F_C=0$, $F_P=0$

DIMENSION UNITS: INCH/MM, SCALE: NTS

GENERAL TOLERANCES (UNLESS SPECIFIED):
4 PLACES ± ---, 3 PLACES ± ---, 2 PLACES ± ---, 1 PLACE ± ---, 0 PLACES ± ---

ANGULAR TOL ± --- °

DRAFT WHERE APPLICABLE MUST REMAIN WITHIN DIMENSIONS

CURRENT REV DESC: ITEM 3 & 5 WERE NYLON & ITEM #10 WAS MYLAR. ADDED UL & CSA IN NOTES. ADDED CABLE DIA & TOL CHART. MODIFIED PN TABLE

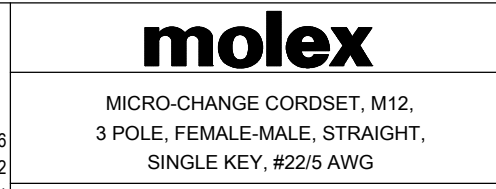
EC NO: 669893
DRWN: ABENJAMINLW 2021/02/26
CHK'D: RSTONE 2021/07/12
APPR: BWOODMAN 2021/07/14

INITIAL REVISION:
DRWN: LSTEMMLE 2010/01/25
APPR: NSTAUDIG 2010/01/29

THIRD ANGLE PROJECTION

DRAWING: A-SIZE, SERIES: 120066, MATERIAL NUMBER: SEE CHART, CUSTOMER: GENERAL MARKET, SHEET NUMBER: 1 OF 1

DOCUMENT NUMBER: SD-120066-010, DOC TYPE: PSD, DOC PART: 001, REVISION: A



DOCUMENT STATUS	P1	RELEASE DATE	2021/07/14	21:16:11
-----------------	----	--------------	------------	----------