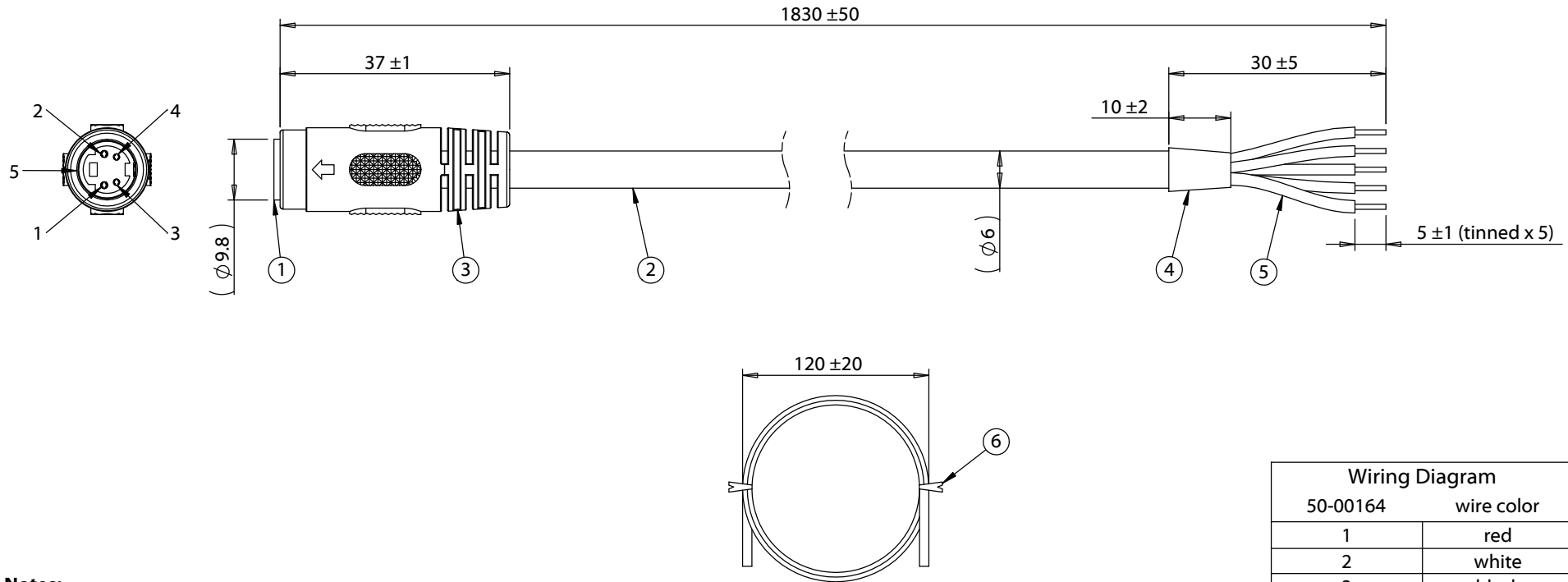


| ITEM NO. | PART NUMBER | DESCRIPTION   | QTY. | COMPONENT NOTES          |
|----------|-------------|---|------|--------------------------|
| 1        | 50-00164    | Connector, 4P mini DIN female, molding style, brass, nickel plating     | 1    |                          |
| 2        | 30-00024    | Wire, 4C, 20 AWG, UL2464, 300 V, 80 C, 6.0 mm, shielded, VW-1, PVC, 79A | 1    |                          |
| 3        | 24-00070    | Overmold, jack, mini-DIN  | 1    | black                    |
| 4        | Heat Shrink | Heat shrink tube, Ø 6.0, 105° C, L=10 ±2 mm                             | 1    | black                    |
| 5        | Heat Shrink | Heat shrink tube, Ø 1.0, 105° C, L=30 ±5 mm                             | 1    | black, covers drain wire |
| 6        | Tie         | Twist tie   | 2    | black                    |



**Notes:**  
Functionally equivalent components may be substituted

Electrical requirement: 2 A, 12 Vdc

| Wiring Diagram |             |
|----------------|-------------|
| 50-00164       | wire color  |
| 1              | red         |
| 2              | white       |
| 3              | black       |
| 4              | brown       |
| 5              | drain/black |

|           |           |                 |  |  |  |
|-----------|-----------|-----------------|--|--|--|
| Revision: | Date:     | Description:    | Prepared:  | Notes:   | <h1>TENSILITY</h1> <p>tel 1.541.323.3228 800 877.670.7118<br/>fax 1.541.323.4202 web tensility.com</p> |
| A         | 3/08/2011 | Initial release | Verified:  | RoHS and REACH compliant   |  |
|           |           |                 | Dimensions are in millimeters.<br>Tolerances:<br>X: ± 0.5 mm<br>X.X: ± 0.3 mm<br>X.XX: ± 0.05 mm | Function test: no open, no short circuit, no intermittent  |  |
|           |           |                 |  | Description:<br>Cable, 1830 mm, 4P mini-DIN female 50-00164, to stripped tinned, 20 AWG, UL2464 30-00024, shielded |  |
|           |           |                 |  | Size:  | Part number:   |
|           |           |                 |  | A  | 10-00427   |
|           |           |                 |  | Scale: 1:1   | Sheet 1 of 1   |