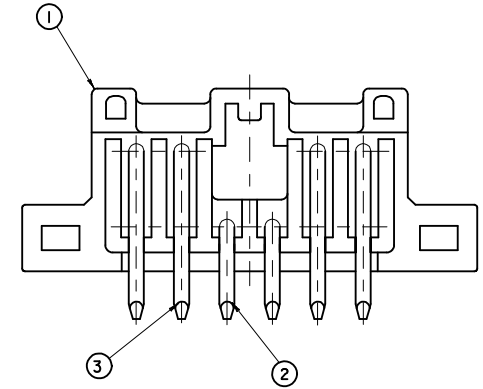
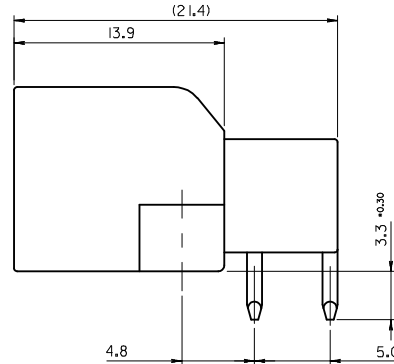
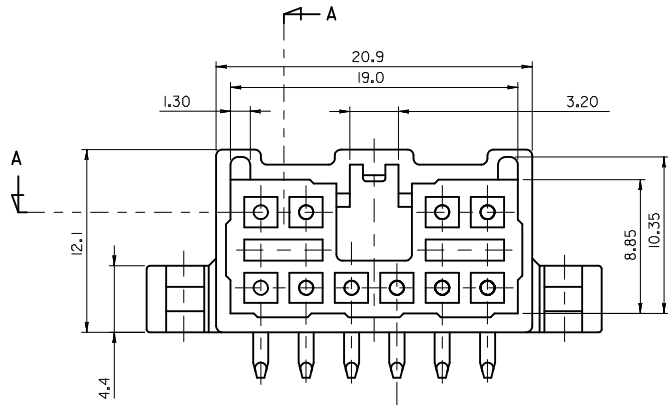
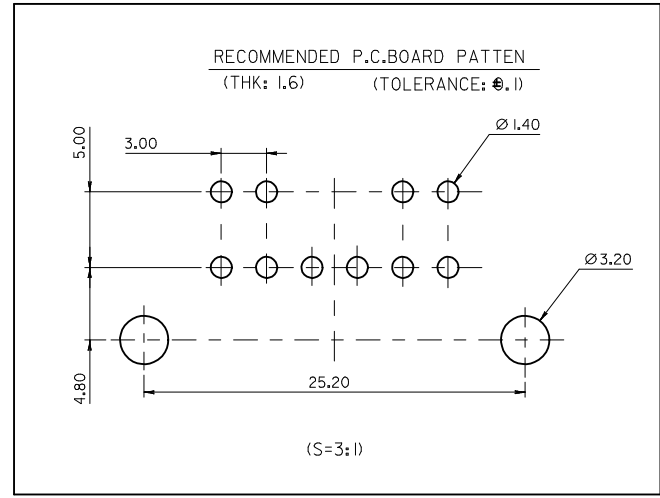
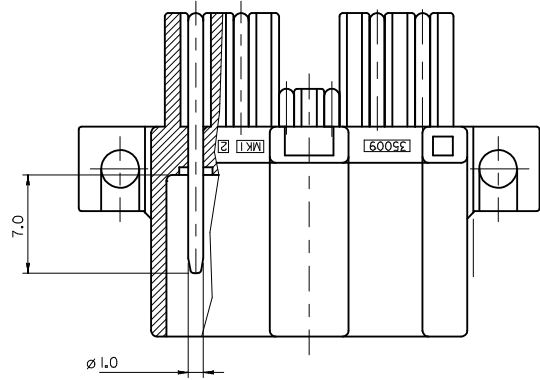


SECTION A-A



<TABLE>

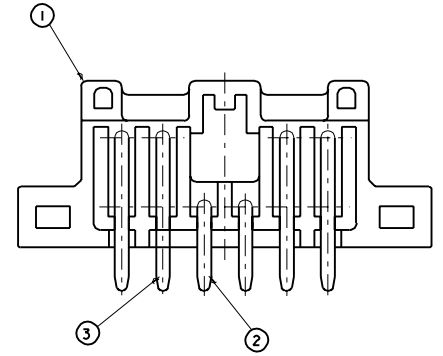
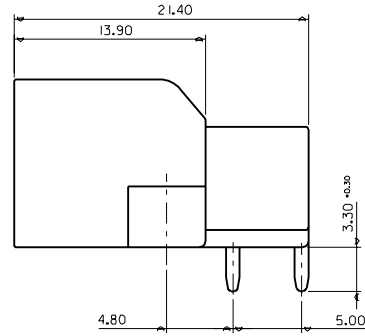
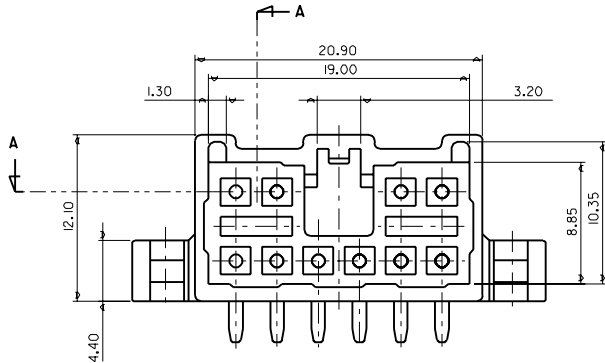
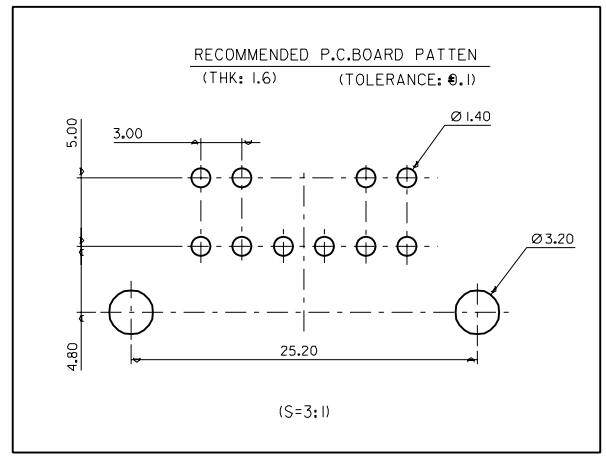
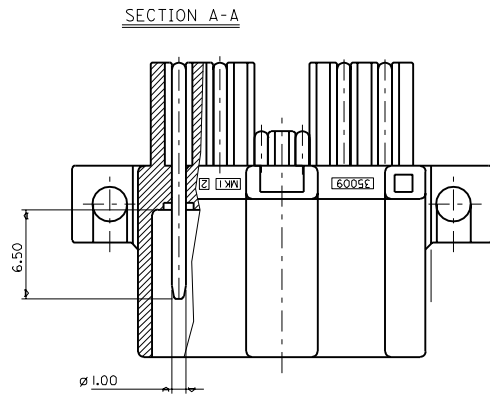
NO.	P/NAME	P/NO.	MATERIAL	FINISH	QTY.
1	HEADER IOP	35009-0010	SEE NOTE	NATURAL	1
2	1.0 CIRCULOCK PIN (S)	35009-1001	BRASS	TIN-PLATING	6
3	1.0 CIRCULOCK PIN (L)	35009-1101	BRASS	TIN-PLATING	4

NOTE

- 1. MATERIAL : POLYESTER UL94V-0
- 2. FINISH: NATURAL
- 3. APPLICATION: SD35200-1000(F/HSG IOP)

REVISED EC NO: KTR2014-0005 DRWN:HIM00N 2013/08/30 CHKD:BCY00N 2013/08/30 APPR:JYCHO1 2013/09/13	QUALITY SYMBOLS $F_A=0$ $F_G=0$ $F_P=0$	GENERAL TOLERANCES (UNLESS SPECIFIED)		DIMENSION STYLE MM ONLY		SCALE 3:1	DESIGN UNITS METRIC	THIRD ANGLE PROJECTION	
			mm	INCH	DRAWN BY	DATE	TITLE		
		4 PLACES	± ---	± ---	HIM00N	2013/08/30	3.0 PITCH A/T CONNECTOR HEADER HOUSING ASS'Y (R/A TYPE)		
		3 PLACES	± ---	± ---	CHECKED BY	DATE			
	± 0.20	± ---	BCY00N	2013/08/30	molex				
2 PLACES	± 0.30	± ---	APPROVED BY	DATE					
1 PLACE	± ---	± ---	JYCHO1	2013/09/13	MATERIAL NO. SEE TABLE DOCUMENT NO. SD-35009-2010				
0 PLACE	± ---	± ---	DRAFT WHERE APPLICABLE MUST REMAIN WITHIN DIMENSIONS						
ANGULAR ± 1 °		SIZE A3		THIS DRAWING CONTAINS INFORMATION THAT IS PROPRIETARY TO MOLEX INCORPORATED AND SHOULD NOT BE USED WITHOUT WRITTEN PERMISSION					

DWG. NO. SD35009-2011
 PROJECT NO. SIMILAR ITEM
 PROJECT NO. SIMILAR ITEM
 DO NOT SCALE DRAWING DIMENSION IN METRIC



NO.	P/NAME	P/NO.	MATERIAL	FINISH	QTY.
1	HEADER 10P	35009-0011	SEE NOTE	NATURAL	1
2	1.0 CIRCULOCK PIN (S)	35009-1001	BRASS	TIN-PLATING	6
3	1.0 CIRCULOCK PIN (L)	35009-1101	BRASS	TIN-PLATING	4

NOTE

- 1. MATERIAL : POLYESTER UL94V-0
- 2. FINISH: NATURAL
- 3. APPLICATION: SD35200-1000(F/HSG 10P)

EC NO. DRWN: CHK: APPR:	DESCRIPTION MAJOR CRITICAL C	QUALITY SYMBOLS	GENERAL TOLERANCES: (UNLESS SPECIFIED)	SCALE	DESIGN UNITS <input checked="" type="checkbox"/> mm <input type="checkbox"/> INCH	<input checked="" type="checkbox"/> THIRD ANGLE <input type="checkbox"/> PROJECTION	DIMENSIONS: <input type="checkbox"/> mm <input type="checkbox"/> INCH <input checked="" type="checkbox"/> mm ONLY	SHT REV REVISE ON CAD ONLY		
		4 PLACES ±0. ±. 3 PLACES ±0. ±. 2 PLACES ±0.2 ±. 1 PLACE ±0.3 ±.	mm INCH	DRAWN BY & DATE H.C.RHO 98.06.24	TITLE: 3.0 PITCH A/T CONNECTOR HEADER HOUSING ASS'Y (R/A) WITH SCREW MTG.					
		ANGULAR: ± °	DRAFT WHERE APPLICABLE MUST REMAIN WITHIN DIMENSIONS		APPROVED BY & DATE	MOLEX INCORPORATED KOREA				
		REV	CAD FILENAME	MATERIAL NO. SEE NOTE	DRAWING NO. SD35009-2011	SHEET NO. 1 OF 1	THIS DRAWING CONTAINS INFORMATION THAT IS PROPRIETARY TO MOLEX INCORPORATED AND SHOULD NOT BE USED WITHOUT WRITTEN PERMISSION.			