

THIS DRAWING IS UNPUBLISHED.

RELEASED FOR PUBLICATION

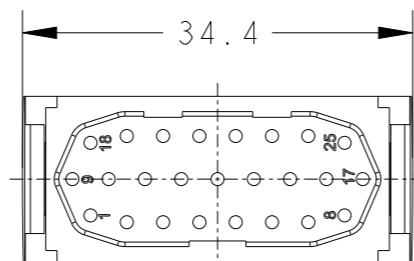
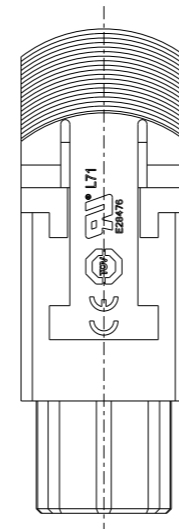
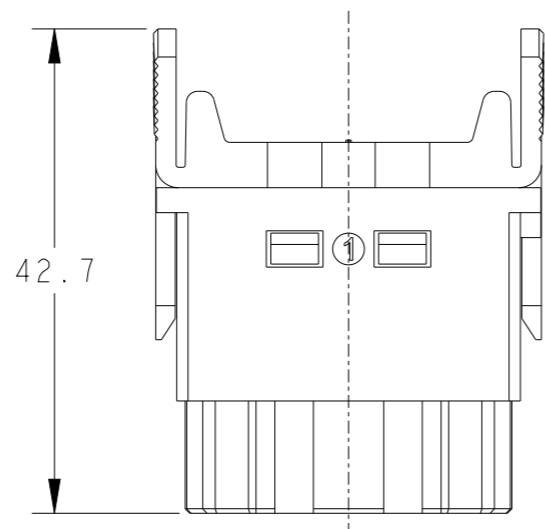
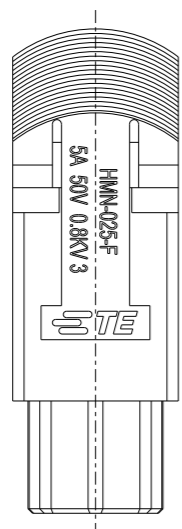
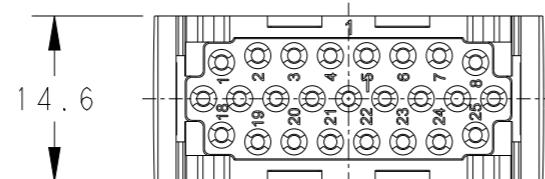
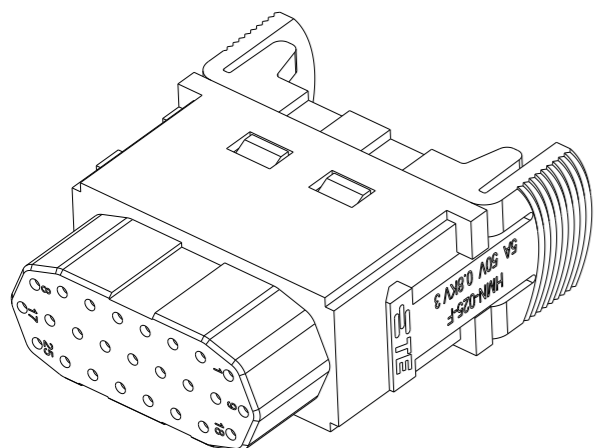
20

© COPYRIGHT 20 BY -

ALL RIGHTS RESERVED.

REVISIONS

P	LTR	DESCRIPTION	DATE	DWN	APVD
	A	INITIAL	14APR2015	DW	CW
	B	ECR-15-018270	10DEC2015	DW	CW
	C	ECR-21-111798	06OCT2021	WQR	CW



NOTES:

- TECHNICAL CHARACTERISTICS:  
 INSULATION MATERIAL: PC  
 RATED VOLTAGE: 50V  
 RATED CURRENT: 5A  
 INSULATION RESISTANCE:  $\geq 400M\Omega$   
 RATED IMPULSE VOLTAGE: 0.8KV  
 POLLUTION DEGREE: 3  
 FLAMMABILITY: UL94V-0  
 MATING CYCLES: 500 CYCLES  
 OPERATION TEMPERATURE:  $-40\sim+125^{\circ}C$   
 WIRE RANGE:  $0.08\sim 0.52\text{ mm}^2$  (28~20 AWG)  
 CONTACT TYPE: CRIMP CONTACT
- CONTACT NEED TO BE ORDERED SEPARATELY.  
 (ORDER No. REFER TO DRAWING:T20700X20XX000)

注释:

- 技术参数:  
 绝缘材料: PC  
 额定电压: 50V  
 额定电流: 5A  
 绝缘电阻:  $\geq 400M\Omega$   
 额定脉冲电压: 0.8KV  
 污染等级: 3  
 阻燃等级: UL94V-0  
 插拔次数: 500次  
 工作温度:  $-40\sim+125^{\circ}C$   
 接线范围:  $0.08\sim 0.52\text{ mm}^2$  (28~20 AWG)  
 接线类型: 冷压接
- 端子需要单独订购.  
 (订货号参考图面: T20700X20XX000)

HMN-025-F	T2111252201-000
DESCRIPTION	PART NUMBER

THIS DRAWING IS A CONTROLLED DOCUMENT.		DWN	13APR2015		
		CHK	13APR2015		
		APVD	13APR2015		
		PRODUCT SPEC	108-137122		
DIMENSIONS: mm		TOLERANCES UNLESS OTHERWISE SPECIFIED:		NAME HMN-025-F	
		0 PLC	±-	SIZE	
		1 PLC	±-	CAGE CODE	
		2 PLC	±-	DRAWING NO	
		3 PLC	±-	RESTRICTED TO	
		4 PLC	±-	SCALE	
		ANGLES	±-	SHEET	
MATERIAL		FINISH	-	1 OF 1	
-			-	REV	
-			-	C	
				Customer Drawing	