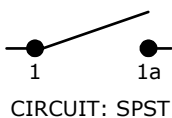


RECOMMENDED PANEL MOUNTING

PANEL THICKNESS	X
0.75-1.25	19.20-19.30
1.25-2.00	19.30-19.40
2.00-3.00	19.50-19.60

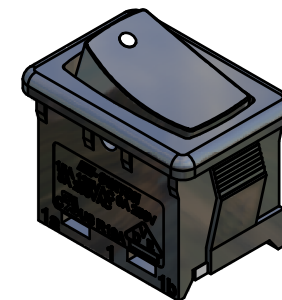
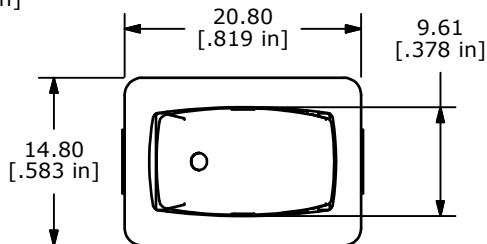
SWITCH FUNCTION		
POS. 1	POS. 2	POS. 3
ON	NONE	(OFF)
1a-1	N/A	OPEN

MOMENTARY (OFF)

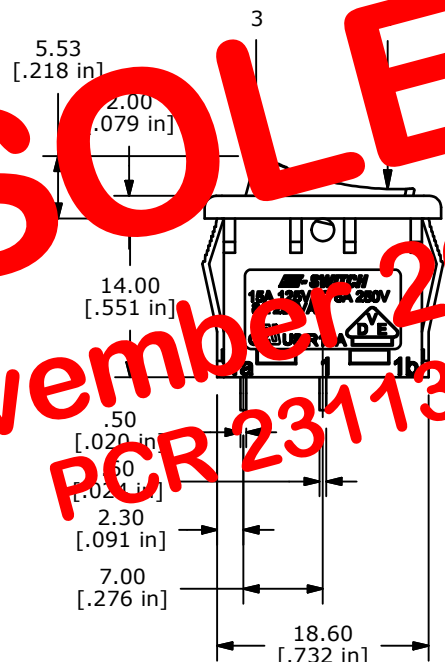


NOTES:

- ALL DIMENSIONS IN MM [INCH]
- GENERAL TOLERANCE: X.X=±0.24
X.XX=±0.25
- TERM. NOS. FOR REF. ONLY
- RATING: 15A @125VAC;
8A @250VAC.
- ▲ LAMP VOLTAGE: NO LAMP
- MATERIAL:
CONTACT SURFACE: SILVER ALLOY.
TERMINAL: COPPER ALLOY W/SILVER PLATE
- ELECTRICAL LIFE: 10,000 CYCLES
- CONTACT RESISTANCE: <20 MILLI-OHMS INITIAL
- DIELECTRIC STRENGTH: >1,500V AC 1 MIN
- ▲ DENOTES CRITICAL PARAMETER.
- 2002/95/EC (RoHS) COMPLIANT

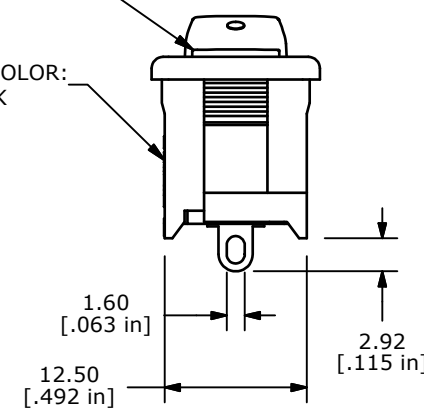


OBSOLETE
November 2017
PCR 23113



ACTUATOR COLOR:
▲ BLACK

HOUSING COLOR:
▲ BLACK



REV	PCR NO	DESCRIPTION	DATE	BY
C	19359	UPDATE HOUSING AND NOTES	11/02/10	BMA
B	15582	REMOVED TERMINAL	12/5/05	PH
A	15218	RELEASED FOR PRODUCTION	8/30/05	PH

E-SWITCH®

LAMB INDUSTRIES

TITLE R1966EBLKBLKAS

SCALE	DATE	DR	DWG	REV
1.5:1	8/30/2005	PH	M309318	C

THE INFORMATION CONTAINED IN THIS DOCUMENT IS PROPRIETARY TO E-SWITCH AND IS NOT TO BE COPIED OR TRANSFERRED