

NOTES: UNLESS OTHERWISE SPECIFIED.

1. ALL DIMENSIONS ARE IN MM.  
TOLERANCES TO BE ±0.5 MM.

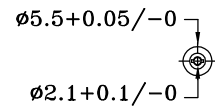
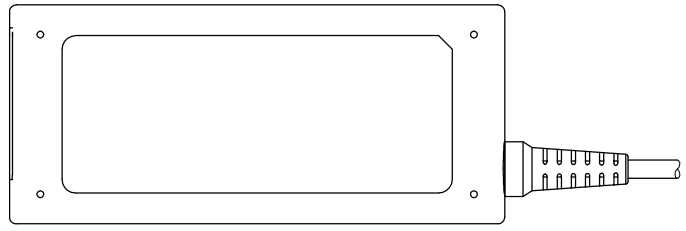
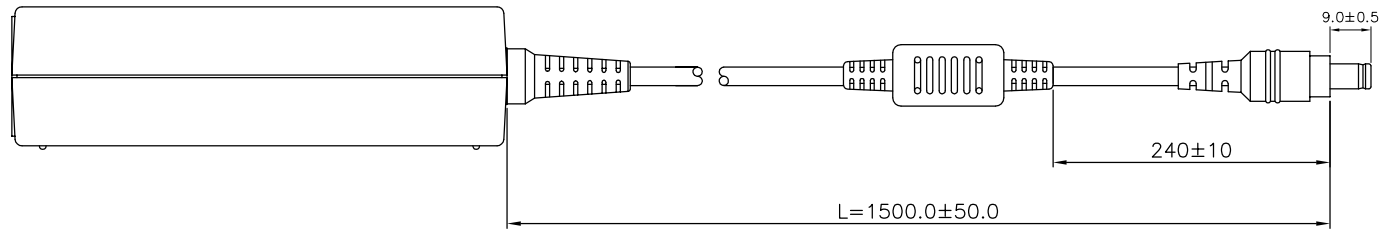
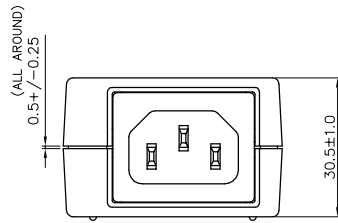
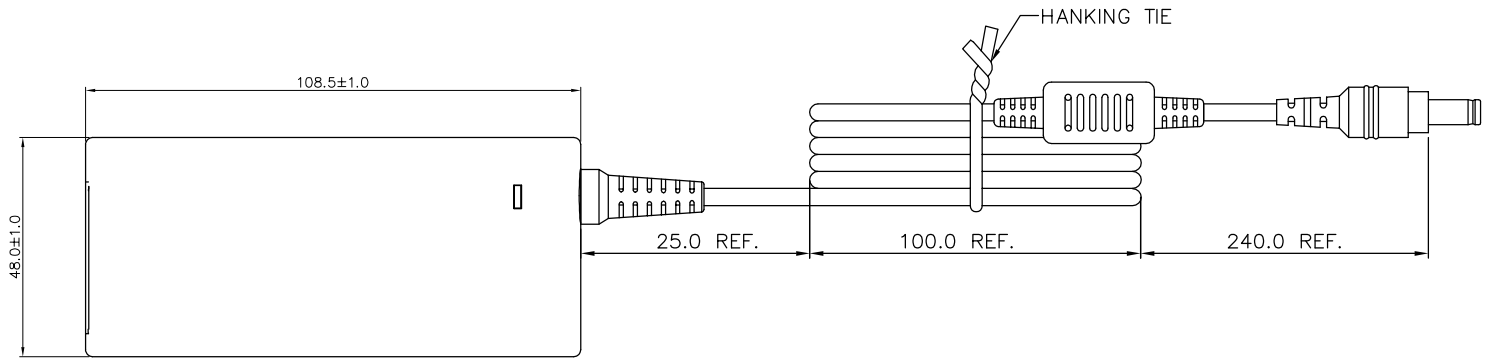
2. PARTS SPECIFIED AS FOLLOWS:

- 2-1. ENCLOSURE:  
 \* MEET V-0 FLAMMABILITY.  
 \* COLOR: BLACK  
 \* TEXTURE: MOLDTECH MT11020.
- 2-2. AC INLET:  
 \* IEC 320, C14 CERTIFIED, 3 WAY.  
 \* COLOR: BLACK.

- 2-3. DC OUTPUT:  
 \* PLUG SHAPE: TUNING FORK TYPE  
 \* PLUG INSULATOR: BLACK  
 \* PLUG POLARITY:

A	WIRE	PLUG
A	WHITE	INSIDE
B	SPIRAL	OUTSIDE

- 2-5. ADAPTOR UNIT:  
 \* DIMENSIONS MARKED \* MARK MUST BE INSPECTED & CONTROLLED STRICTLY BY OQC.



TOLERANCES ±		
ANGULAR	LINEAR	
0.5°	0~6	0.10
	6~30	0.20
	30~80	0.25
	80~180	0.30
	180~315	0.50
	315~800	0.8