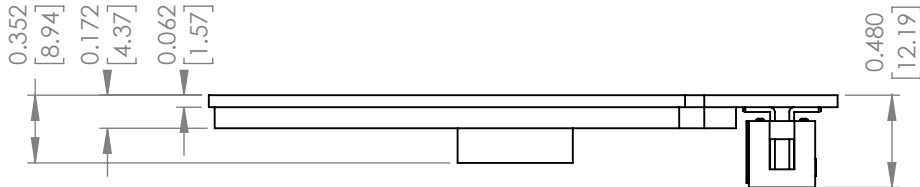


2

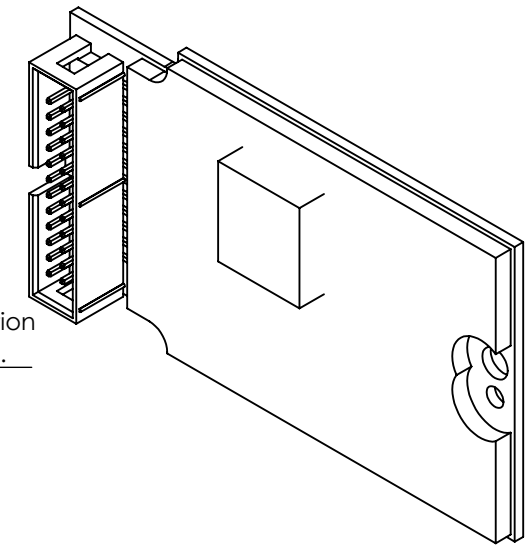
1

B

B

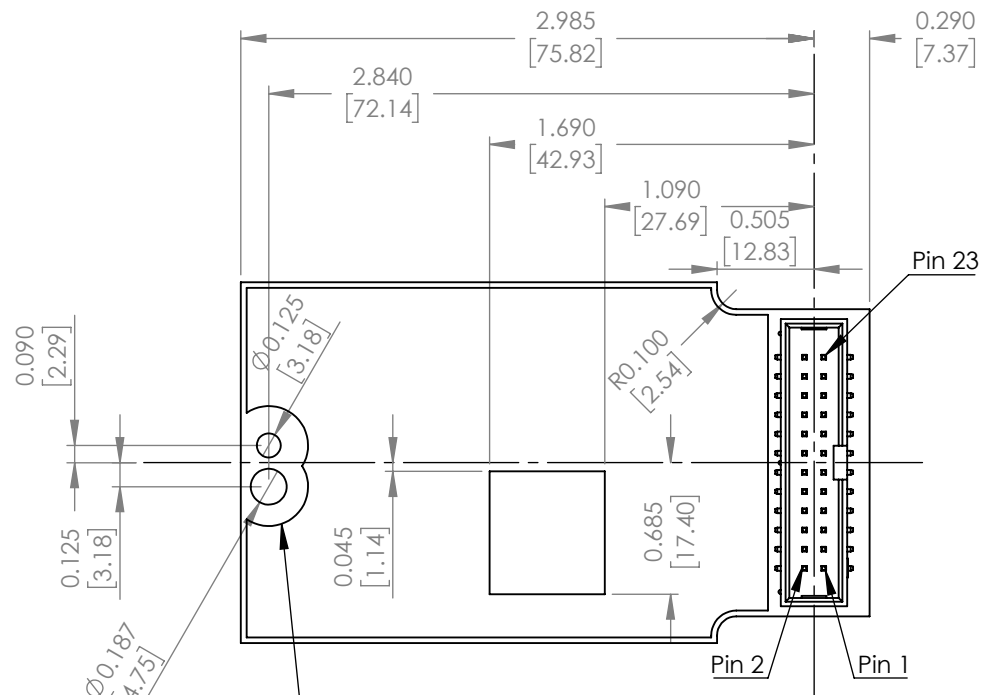


Connector: Sullins Corp
SBH11-NBPC-D12-SM-BK
Refer to Sullins documentation
for complete specifications.

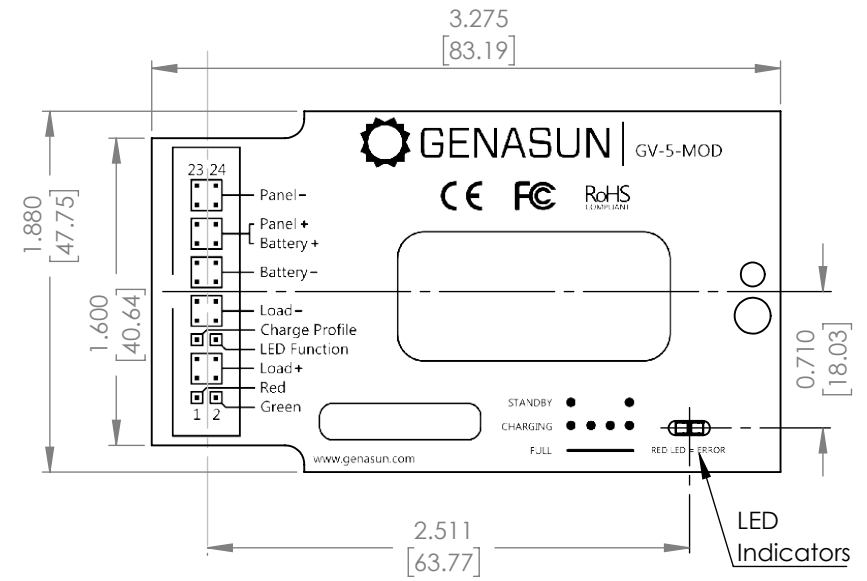


A

A



0.200" [5mm] radial
clearance around holes



PROPRIETARY AND CONFIDENTIAL
THE INFORMATION CONTAINED IN THIS
DRAWING IS THE SOLE PROPERTY OF
SUNFORGE LLC. COPYRIGHT 2017.
www.genasun.com

Dimensions in inches [mm]

SIZE DWG. NO.
A **GV-5-MOD-2017-12-12**

SCALE: 1:1

SHEET 1 OF 1

2

1