

## SUMMARY

### # Wires

Low voltage 8



*Image is for illustrative purpose only*

Series	1W
Termination type	Male solder
IP rating	68
AWG wire size	30.00 - 22.00
Cable Ø	6.10 - 6.50 mm
Status	active
Matching parts	<a href="#">EVG.1W.308.CLL</a>

### Download

[Request a quote](#)

[Catalog](#)

## TECHNICAL DETAILS

### Mechanics

Shell Style/Model	FV*: Straight plug, cable collet
Keying	1 key (alpha=0; Plug: male contacts; Receptacle: female contacts)
Housing Material	Brass (chrome plated [SAE AMS 2460]) shell and collet nut, nickel plated [SAE AMS QQ N 290] brass latch sleeve and mid pieces
Weight	29.71 g

### Performance

Configuration	1W.308 : 8 Low Voltage
Insulator	
Rated Current	5 Amps

### Specifications

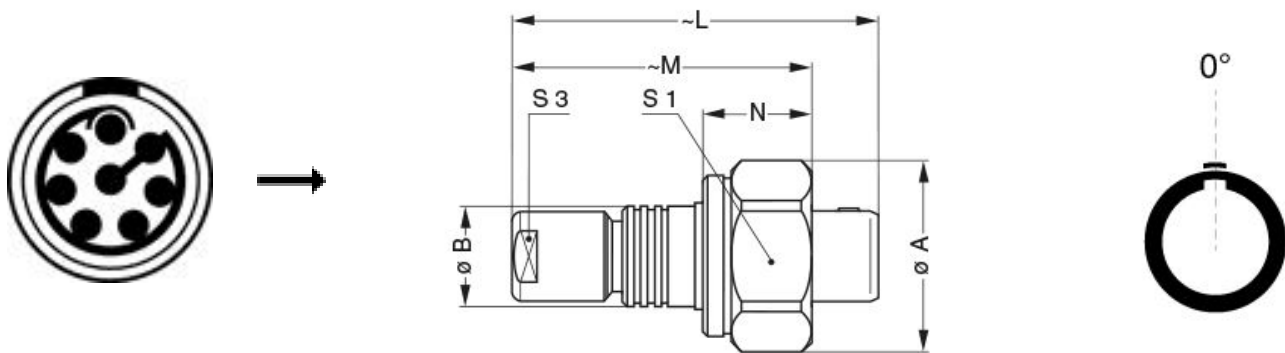
Contact Type: Solder  
Contact Dia.: 0.7 mm (0.028in)  
Bucket Dia.: 0.8 mm (0.031in)  
Max. Stranded Conductor: 0.34 mm<sup>2</sup> (AWG 22)  
Max. Conductor: 0.34 mm<sup>2</sup> (AWG 22)  
R (max): 6.1 mOhm  
Vtest (contact-contact): 950 V (AC) 1300 V (DC)  
Vtest (contact-shell): 1150 V (AC) 1600 V (DC)

*LEMO products and services are provided "as is". LEMO makes no warranties or representations with regard to LEMO product & services or use of them, express, implied or statutory, including for accuracy, completeness, or security. The user is fully responsible for his products and applications using LEMO components.*

## Others

Endurance (Shell): 1000 mating cycles  
Temp (min / max): -20°C / +200°C  
Humidity (max): <=95% [at 60 deg C / 140 F]  
Climatical Category: 20/200/21  
Shielding (min): 95 dB (10 MHz)  
Shielding (min): 80 dB (1 GHz)  
Salt Spray Corrosion: >1000 hr  
Pressure: 30 bars

## DRAWINGS



## Dimensions

	A	B	L	M	N	S1	S3
mm.	19.3	11.0	43.7	35.5	14.0	18	9
in.	0,76	0,43	1,72	1,40	0,55	0,71	0,35

## RECOMMENDED BY LEMO

## Tools

LEMO products and services are provided "as is". LEMO makes no warranties or representations with regard to LEMO product & services or use of them, express, implied or statutory, including for accuracy, completeness, or security. The user is fully responsible for his products and applications using LEMO components.

## Cables

180240	PVC	Black	
280250	PVC	Grey	
335990	PVC	Black	
335991	PVC	Black	

*LEMO products and services are provided "as is". LEMO makes no warranties or representations with regard to LEMO product & services or use of them, express, implied or statutory, including for accuracy, completeness, or security. The user is fully responsible for his products and applications using LEMO components.*