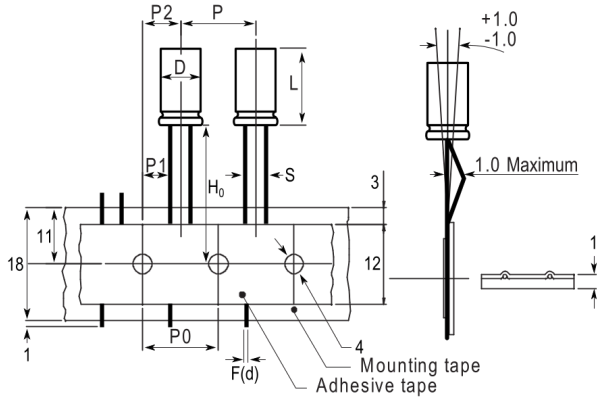


Straight Leads Diameter > 8  
Lead and packaging code EA and KA



Note: '(j)' correspond to the letters used in the product bulletin

Click [here](#) for the 3D model.

Dimensions	
D	10mm +/-0.5mm
L	15mm +2mm
S	5mm +/-0.5mm
LL Negative	15mm MIN
LL Positive	20mm MIN
F	0.6mm NOM

Packaging Specifications	
Packaging	Ammo
Packaging Quantity	700

General Information	
Series	ESY
Dielectric	Aluminum Electrolytic
Description	LowZ Single Ended Aluminum Electrolytic
Features	Low Z
RoHS	Yes
Lead	Wire Leads
AEC-Q200	No

Specifications	
Capacitance	1,000 uF
Capacitance Tolerance	20%
Voltage DC	10 VDC, 13 VDC (Surge)
Temperature Range	-40/+105°C
Rated Temperature	105°C
Life	4000 Hrs
Dissipation Factor	19%
Resistance	0.038 Ohms (100kHz)
Ripple Current	1430 mAmps (100kHz 105C)
Leakage Current	100 uA (2min 20°C)
Impedance Ratio at -25C	2
Impedance Ratio at -40C	3