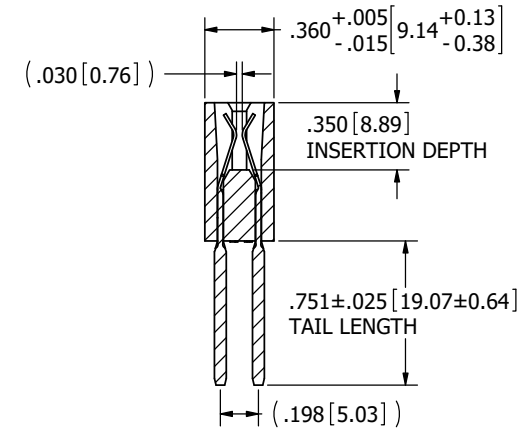
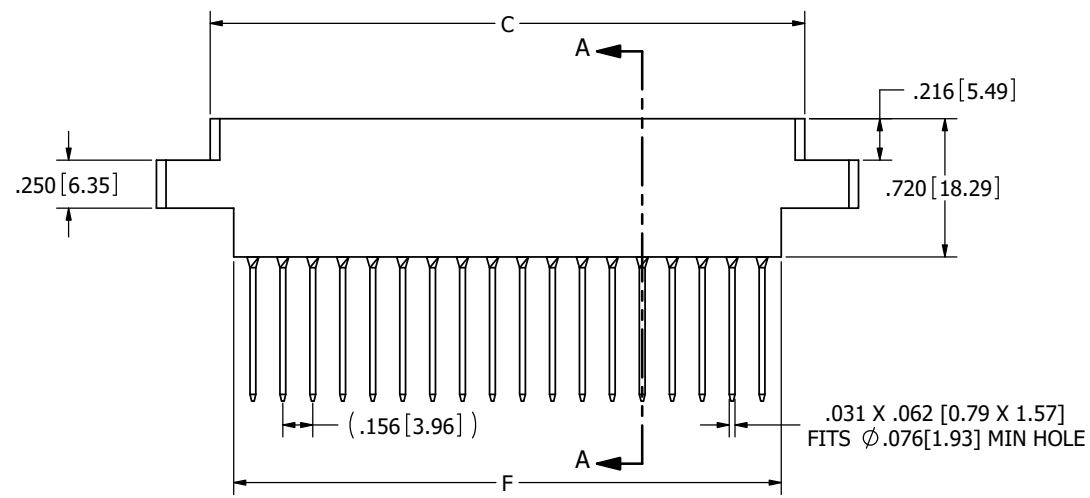
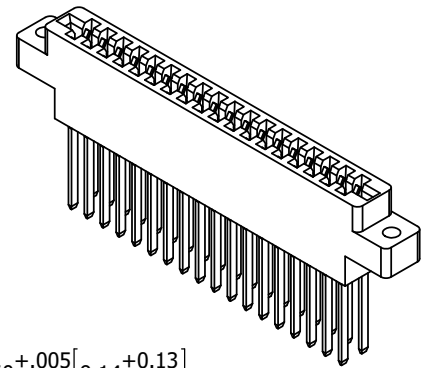
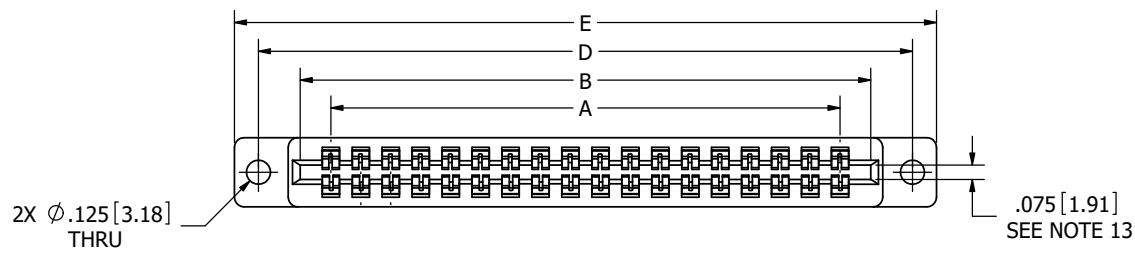


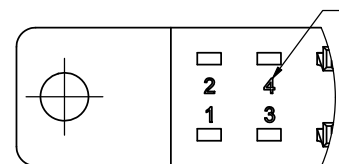
REVISIONS				
REV.	ECO. NO	DESCRIPTION	DATE	BY
A	2440	INITIAL RELEASE	09/01/2011	JH
B	4125	CHANGE CONTACT GAP DIM TO REF, NOTE 5 & 7	11/8/2019	JH
C	4576	ADD 32 POSITION, UPDATE NOTE 8 (REMOVE 'PER CONTACT'), UPDATE NOTE 1 (ADD MATERIAL COLOR 'BLACK')	10/6/2022	MM



NOTES:

1. INSULATOR MATERIAL: BLACK PBT
2. CONTACT MATERIAL: PHOSPHOR BRONZE
3. PLATING: SEE PART NUMBER CODING.
4. OPERATING TEMPERATURE: -65°C TO +125°C
5. PROCESSING TEMP: WAVE SOLDERING ONLY
6. UL FLAMMABILITY RATING: 94V-0
7. OPERATING VOLTAGE: 950 VAC
8. CURRENT RATING: 5 AMP
9. CONTACT RESISTANCE: 30 MILLI OHMS MAX
10. INSULATION RESISTANCE: 5000 MEGA OHMS
11. DURABILITY: 500 CYCLES MINIMUM
12. CONNECTOR IDENTIFICATION: THE PART SHALL BE MARKED WITH A PART NUMBER AND LOT CODE
13. BOARD THICKNESS ACCOMMODATED: .062 ± .008 [1.57 ± 0.20]
14. INSERTION FORCE: 16 OZ MAX PER CONTACT PAIR WHEN USING A .062 [1.57] TEST BLADE
INTERNAL INSPECTION TO BE PER SULLINS WORK INSTRUCTION WI-8.6-03
15. WITHDRAWAL FORCE: 1 OZ MIN PER CONTACT PAIR USING .062 [1.57] TEST BLADE

E_M__DKLH



CONTACT MARKINGS
2 4 6 ... 28 30 ..
1 3 5 ... 27 29 ..

**CONTACT ID
SCALE 4:1
CONTACT PINS
OMITTED FOR CLARITY**



CUSTOMER COPY

UNLESS OTHERWISE SPECIFIED: DIMENSIONS ARE IN INCHES (MM)		DRAWN	DATE	NAME	
TOLERANCES: ANGULAR: ± 1° DECIMALS .XX = ± .02 [5] .XXX = ± .005 [13] .XXXX = ± .0005 [013]			9/1/2011	JH	
<small>THE INFORMATION HEREIN CONTAINS PROPRIETARY INFORMATION OF SULLINS ELECTRONICS AND IS NOT TO BE REPRODUCED, USED OR DISCLOSED TO OTHERS FOR ANY PURPOSE EXCEPT AS SPECIFICALLY AUTHORIZED IN WRITING BY AN OFFICER OF SULLINS ELECTRONICS.</small>					TITLE
					EDGE CARD, .156 CC, HP
					PART NUMBER
					E_M__DKL__
SIZE	CAGE CODE	DWG. NO.	REV		
C	54453	C11878	C		
SCALE: 2:1		SHEET 1 OF 2			

PART NUMBER	NO. OF POS.	INCHES						MILLIMETERS					
		A±.008	B±.008	C±.015	D±.010	E±.020	F±.015	A±0.20	B±0.20	C±0.38	D±0.25	E±0.51	F±0.38
E_M06DKL_	6	0.780	1.100	1.224	1.534	1.784	0.980	19.81	27.94	31.09	38.96	45.31	24.89
E_M10DKL_	10	1.404	1.724	1.848	2.158	2.408	1.604	35.66	43.79	46.94	54.81	61.16	40.74
E_M12DKL_	12	1.716	2.036	2.160	2.470	2.720	1.916	43.59	51.71	54.86	62.74	69.09	48.67
E_M15DKL_	15	2.184	2.504	2.628	2.938	3.188	2.384	55.47	63.60	66.75	74.63	80.98	60.55
E_M18DKL_	18	2.652	2.972	3.096	3.406	3.656	2.852	67.36	75.49	78.64	86.51	92.86	72.44
E_M20DKL_	20	2.964	3.284	3.408	3.718	3.968	3.164	75.29	83.41	86.56	94.44	100.79	80.37
E_M22DKL_	22	3.276	3.596	3.720	4.030	4.280	3.476	83.21	91.34	94.49	102.36	108.71	88.29
E_M25DKL_	25	3.744	4.064	4.188	4.498	4.748	3.944	95.10	103.23	106.38	114.25	120.60	100.18
E_M28DKL_	28	4.212	4.532	4.656	4.966	5.216	4.412	106.98	115.11	118.26	126.14	132.49	112.06
E_M30DKL_	30	4.524	4.844	4.968	5.278	5.528	4.724	114.91	123.04	126.19	134.06	140.41	119.99
E_M31DKL_	31	4.680	5.000	5.124	5.434	5.684	4.880	118.87	127.00	130.15	138.02	144.37	123.95
E_M32DKL_	32	4.836	5.156	5.280	5.590	5.840	5.036	122.83	130.96	134.11	141.99	148.34	127.91
E_M36DKL_	36	5.460	5.780	5.904	6.214	6.464	5.660	138.68	146.81	149.96	157.84	164.19	143.76
E_M43DKL_	43	6.552	6.872	6.996	7.306	7.556	6.752	166.42	174.55	177.70	185.57	191.92	171.50
E_M50DKL_	50	7.644	7.964	8.088	8.398	8.648	7.844	194.16	202.29	205.44	213.31	219.66	199.24

PART NUMBER CODING

E _ M _ _ DKL _

MOUNTING STYLE

H = .125" DIA. CLEARANCE HOLES (PAGE 1)
 N = NO MOUNTING EARS (PAGE 2)
 I = #4-40 THREADED INSERT (PAGE 2)

**NUMBER OF POSITIONS
(CONTACTS PER ROW)**

PLATING

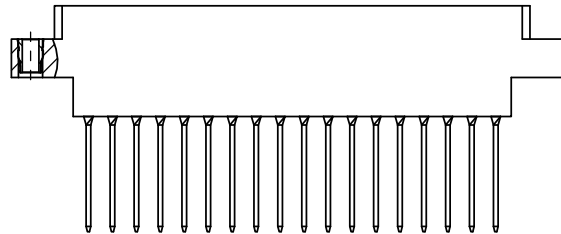
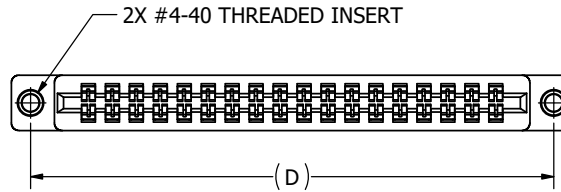
ALL PLATINGS ARE LEAD FREE AND HAVE .000050" NICKEL UNDERPLATE

CONTACT SURFACE

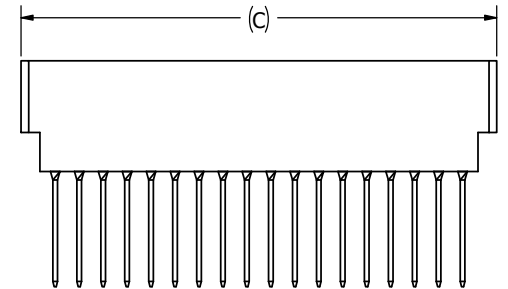
B = .000010" GOLD
 C = .000030" GOLD
 G = .000010" GOLD
 Y = .000030" GOLD
 S = .000010" GOLD OVERALL
 M = .000030" GOLD
 E = .000100" PURE TIN, MATTE OVERALL

TERMINATION

.000100" PURE TIN, MATTE
 .000100" PURE TIN, MATTE
 .000005" GOLD
 .000005" GOLD
 .000010" GOLD OVERALL



E_M_DKLI



E_M_DKLN

CUSTOMER COPY



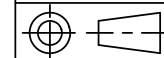
RoHS COMPLIANT

UNLESS OTHERWISE SPECIFIED:
 DIMENSIONS ARE IN INCHES (MM)

TOLERANCES:
 ANGULAR: ± 1°
 DECIMALS
 .XX = ± .02 [5]
 .XXX = ± .005 [13]
 .XXXX = ± .0005 [13]

DRAWN	DATE	NAME
	9/1/2011	JH

THE INFORMATION HEREIN CONTAINS PROPRIETARY INFORMATION OF SULLINS ELECTRONICS AND IS NOT TO BE REPRODUCED, USED OR DISCLOSED TO OTHERS FOR ANY PURPOSE EXCEPT AS SPECIFICALLY AUTHORIZED IN WRITING BY AN OFFICER OF SULLINS ELECTRONICS.



SULLINS CONNECTOR SOLUTIONS			
TITLE EDGE CARD, .156 CC, HP			
PART NUMBER E_M_DKL_			
SIZE C	CAGE CODE 54453	DWG. NO. C11878	REV C
SCALE: 1.6:1		SHEET 2 OF 2	