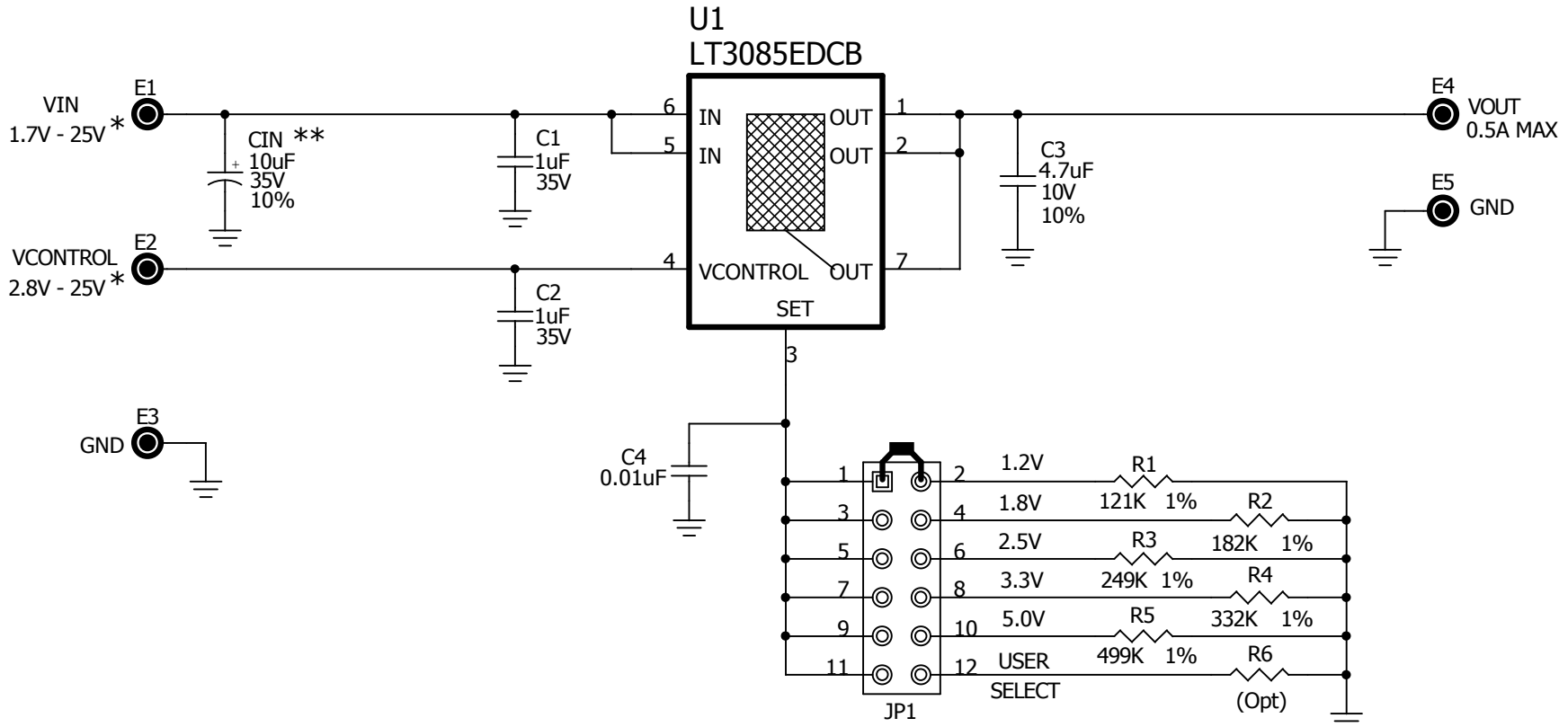


REVISION HISTORY				
ECO	REV	DESCRIPTION	DATE	APPROVED
	0	1st PROTOTYPE		



* SEE QSG FOR DETAILS.

** CIN IS OPTIONAL, FOR VIN DAMPING PURPOSE ONLY.

This circuit is proprietary to Linear Technology and supplied for use with Linear Technology parts.
Customer Notice: Linear Technology has made a best effort to design a circuit that meets customer-supplied specifications; however, it remains the customers responsibility to verify proper and reliable operation in the actual application. Component substitution and printed circuit board layout may significantly affect circuit performance or reliability. Contact Linear Applications Engineering for assistance.

APPROVALS		LINEAR TECHNOLOGY CORPORATION	
		1630 McCARTHY BLVD MILPITAS, CA. 95035 (408)432-1900 (408)434-0507 (FAX)	
DRAWN: Rudy Bautista		www.linear.com	
ENGINEER: Tiger Zhou		LTC Confidential - For Customer Use Only	
APPROVED:		Title LT3085EDCB Adjustable Single Resistor LDO Regulator	
CHECKED:		SD Document Number DEMO CIRCUIT 1401A Rev 0	
Date: Thursday, August 14, 2008		C:\ORCADWIN\CAPTURE\1401A\1401A_REV0.DSN	
		Sheet 1 of 1	