

## CY8CEVAL-062S2 PSoC™ 62S2 evaluation kit

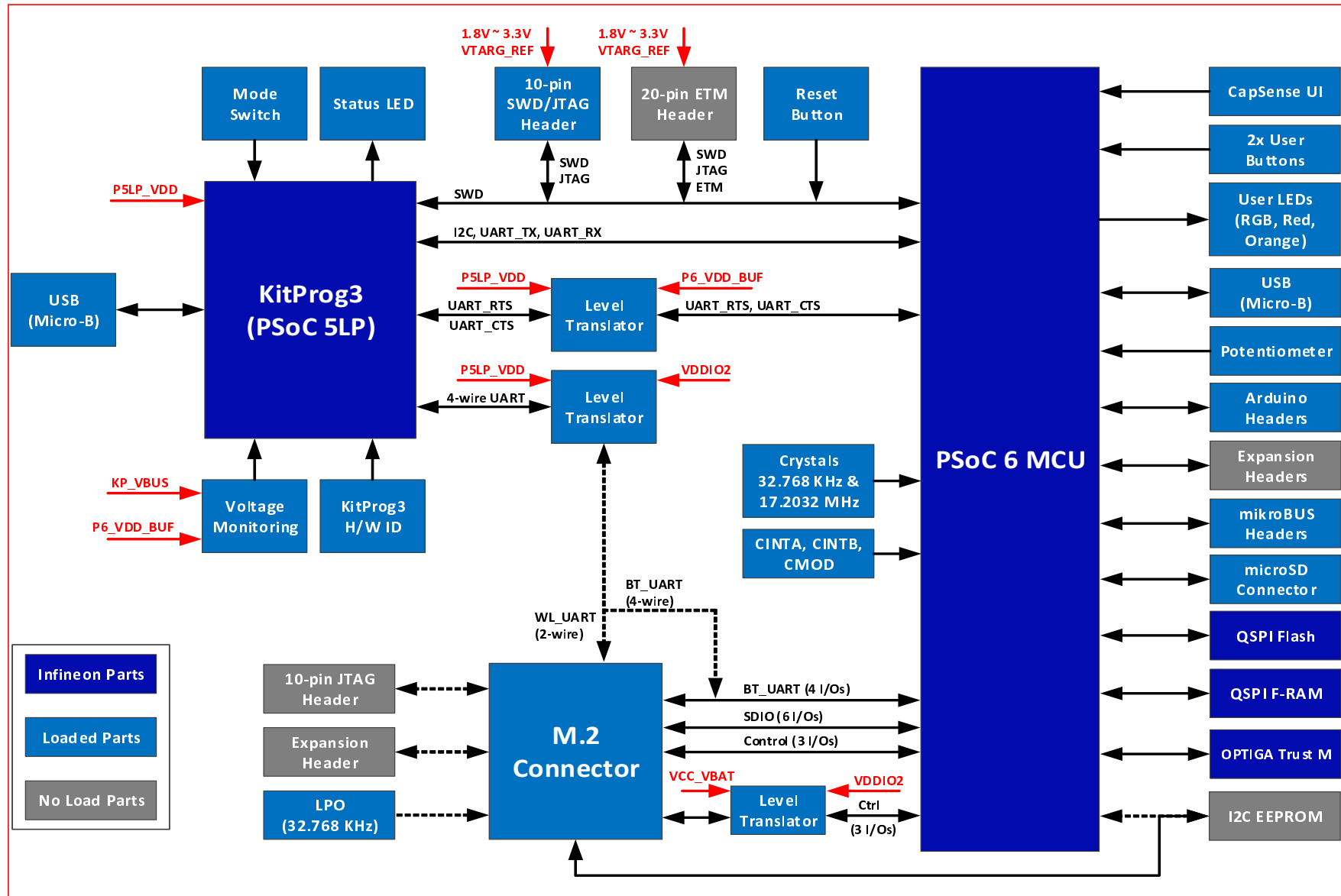
| <b>CONTENTS</b> |   |
|-----------------|---|
| <b>PAGE</b>     | <b>DESCRIPTION</b>                              |
| 01              | Title, Table of Contents & Drawing Numbers      |
| 02              | Functional Block Diagram                        |
| 03              | Power Supply Block Diagram                      |
| 04              | Power Supply (1)                                |
| 05              | Power Supply (2)                                |
| 06              | KitProg3 Controller                             |
| 07              | KitProg3 Interfaces                             |
| 08              | Power Selection and Current Measurement Jumpers |
| 09              | PSoC™ 6 MCU Power                               |
| 10              | PSoC™ 6 MCU Signals                             |
| 11              | PSoC™ 6 MCU Peripherals                         |
| 12              | Arduino, mikroBUS & Extended Headers            |
| 13              | Memory & Security Interfaces                    |
| 14              | M.2 Interface                                   |
| 15              | Accessories                                     |
| 16              | Revision History                                |

| <b>Drawing Numbers</b> |              |
|------------------------|--------------|
| PCBA                   | 121-60607-01 |
| PCB                    | 600-60607-01 |
| FAB DRW                | 610-60607-01 |
| ASSY DRW               | 620-60607-01 |
| SCH DRW                | 630-60607-01 |

**Legal Disclaimer :**  
 The information given in this document shall in no event be regarded as a guarantee of conditions or characteristics. With respect to any examples or hints given herein, any typical values stated herein and/or any information regarding the application of the device, Infineon Technologies hereby disclaims any and all warranties and liabilities of any kind, including without limitation, warranties of non-infringement of intellectual property rights of any third party.



|   |  |                         |                            |                  |
|---|--|-------------------------|----------------------------|------------------|
| <b>SCH Title : CY8CEVAL-062S2 PSoC™ 62S2 evaluation kit</b> |  |                         |                            |                  |
| <b>Page Title: Title Page</b>                               |  |                         |                            |                  |
| Size<br>A4  | Document Number<br><b>630-60607-01</b> | Drawn By<br><b>AARA</b> | Approved By<br><b>RKAD</b> | Rev<br><b>04</b> |
| Date: Tuesday, October 26, 2021                             |  |                         | Sheet 1 of 16              |                  |

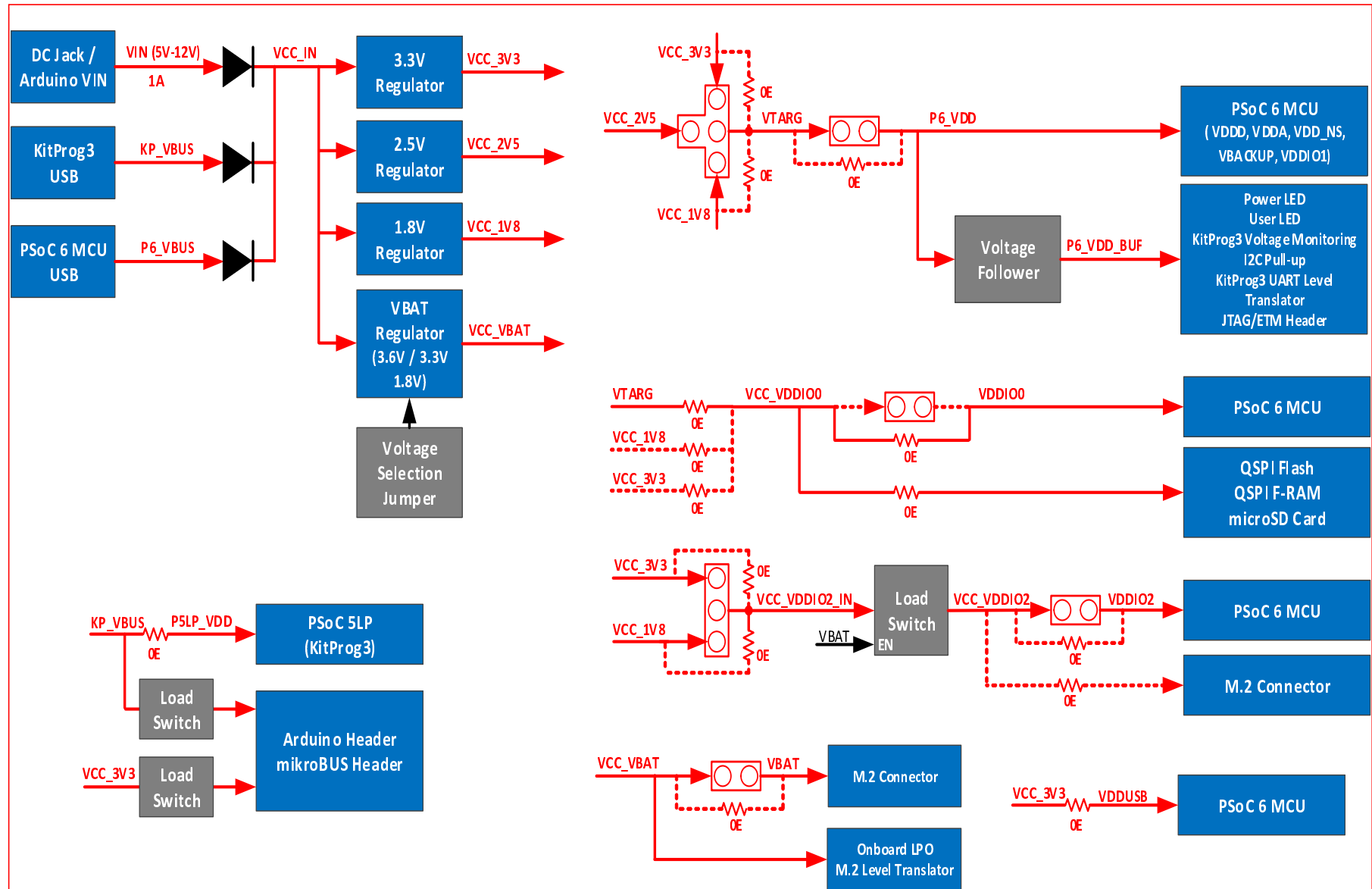


|                |
|----------------|
| Infineon Parts |
| Loaded Parts   |
| No Load Parts  |

**Legal Disclaimer :**  
 The information given in this document shall in no event be regarded as a guarantee of conditions or characteristics. With respect to any examples or hints given herein, any typical values stated herein and/or any information regarding the application of the device, Infineon Technologies hereby disclaims any and all warranties and liabilities of any kind, including without limitation, warranties of non-infringement of intellectual property rights of any third party.



|   |                                 |                  |                     |           |
|---|---------------------------------|------------------|---------------------|-----------|
| <b>SCH Title : CY8CEVAL-062S2 PSoC™ 62S2 evaluation kit</b> |                                 |                  |                     |           |
| <b>Page Title : Functional Block Diagram</b>                |                                 |                  |                     |           |
| Size<br>A4  | Document Number<br>630-60607-01 | Drawn By<br>AARA | Approved By<br>RKAD | Rev<br>04 |
| Date:<br>Tuesday, October 26, 2021                          | Sheet<br>2 of 16                |                  |                     |           |



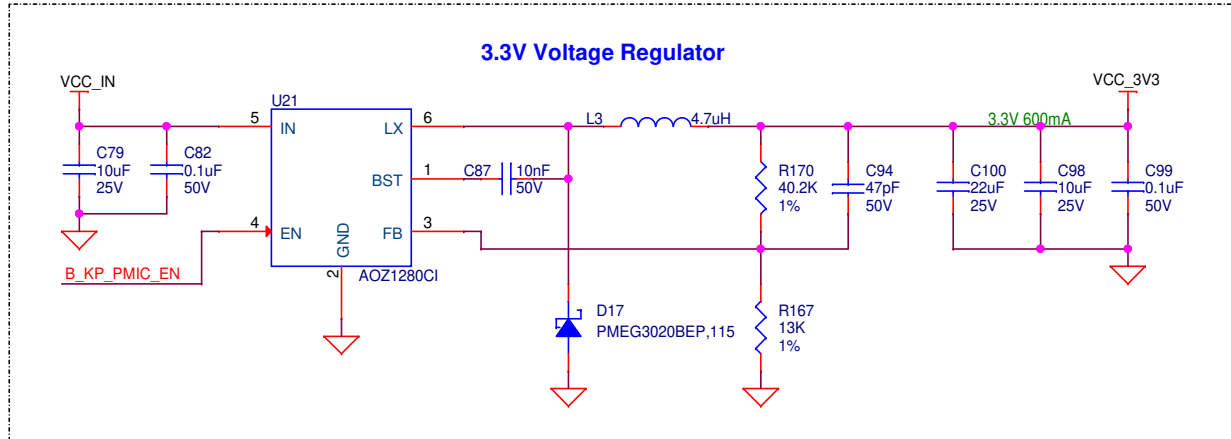
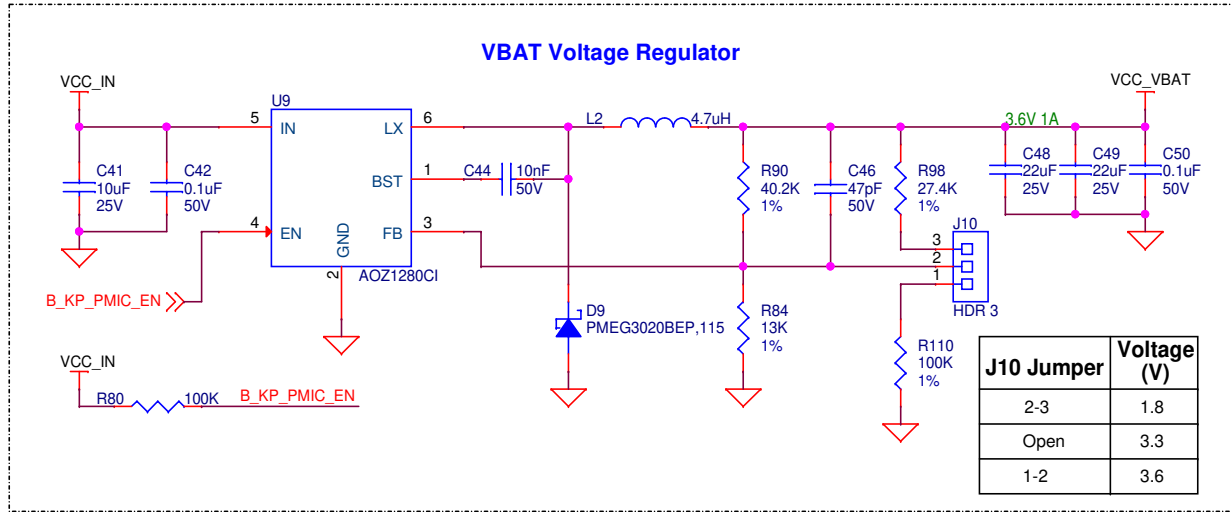
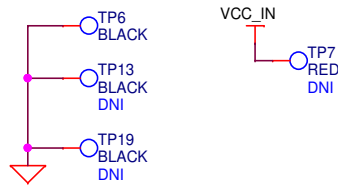
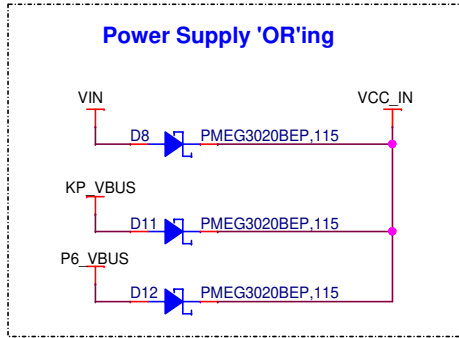
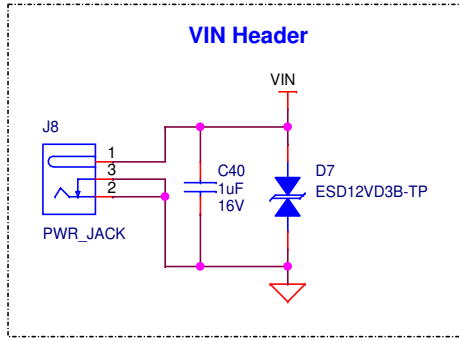
**Legal Disclaimer :**  
 The information given in this document shall in no event be regarded as a guarantee of conditions or characteristics. With respect to any examples or hints given herein, any typical values stated herein and/or any information regarding the application of the device, Infineon Technologies hereby disclaims any and all warranties and liabilities of any kind, including without limitation, warranties of non-infringement of intellectual property rights of any third party.



**SCH Title :** CY8CEVAL-062S2 PSoC™ 62S2 evaluation kit

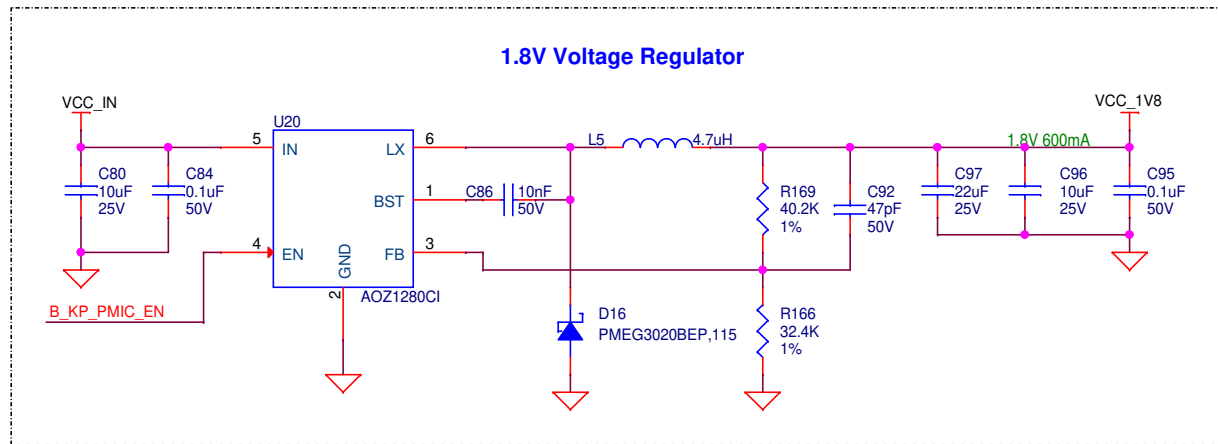
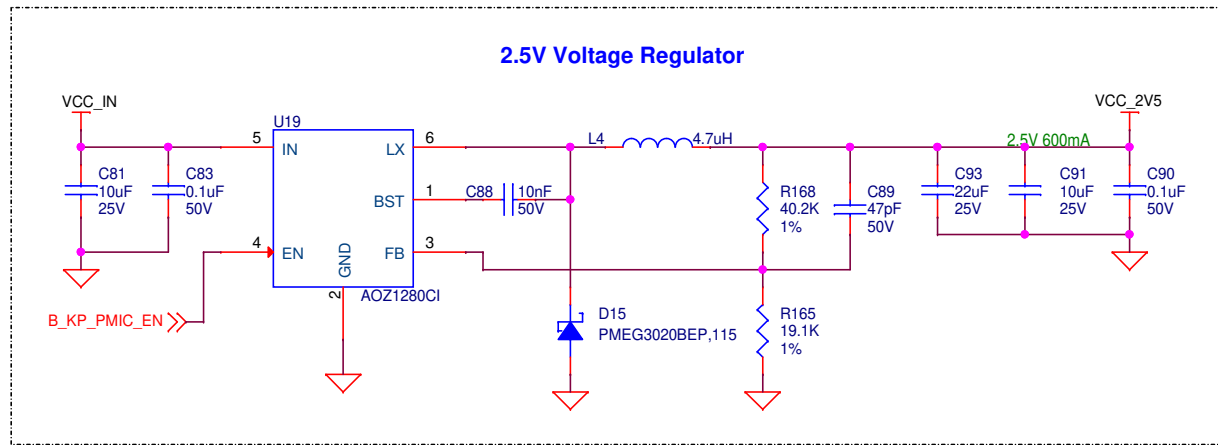
**Page Title :** Power Supply Block Diagram

|            |  |                         |                            |                  |
|------------|--|-------------------------|----------------------------|------------------|
| Size<br>A4 | Document Number<br><b>630-60607-01</b> | Drawn By<br><b>AARA</b> | Approved By<br><b>RKAD</b> | Rev<br><b>04</b> |
| Date:      | Tuesday, October 26, 2021              |                         | Sheet                      | 3 of 16          |



**Legal Disclaimer :**  
 The information given in this document shall in no event be regarded as a guarantee of conditions or characteristics. With respect to any examples or hints given herein, any typical values stated herein and/or any information regarding the application of the device, Infineon Technologies hereby disclaims any and all warranties and liabilities of any kind, including without limitation, warranties of non-infringement of intellectual property rights of any third party.

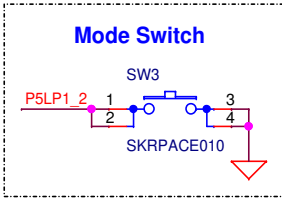
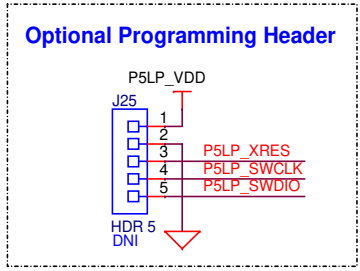
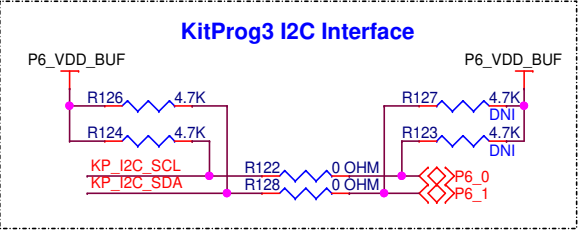
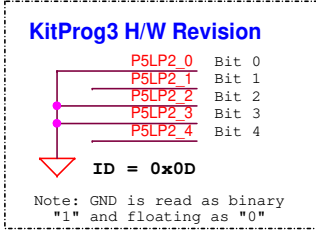
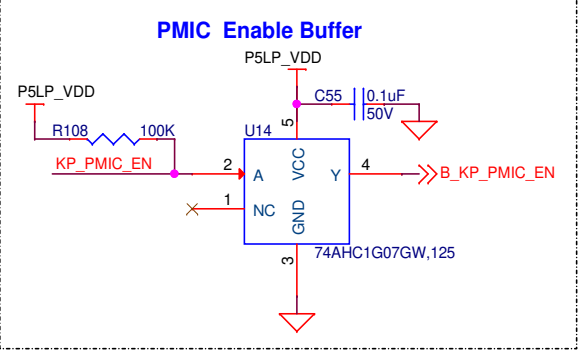
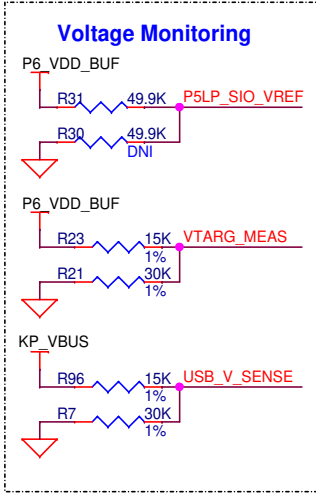
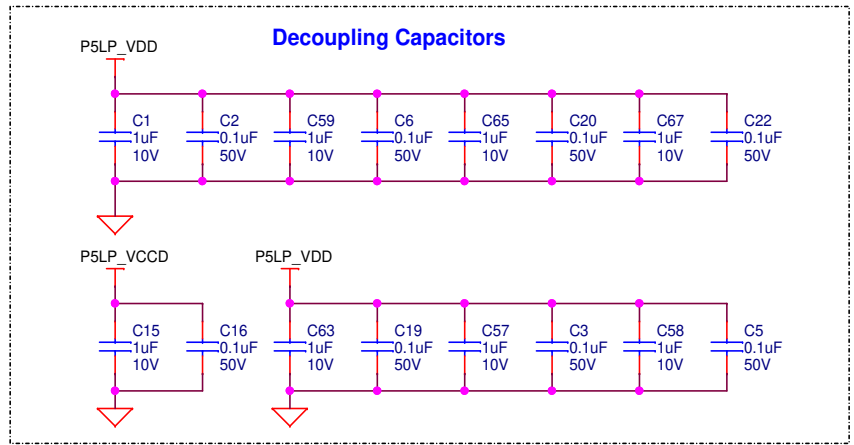
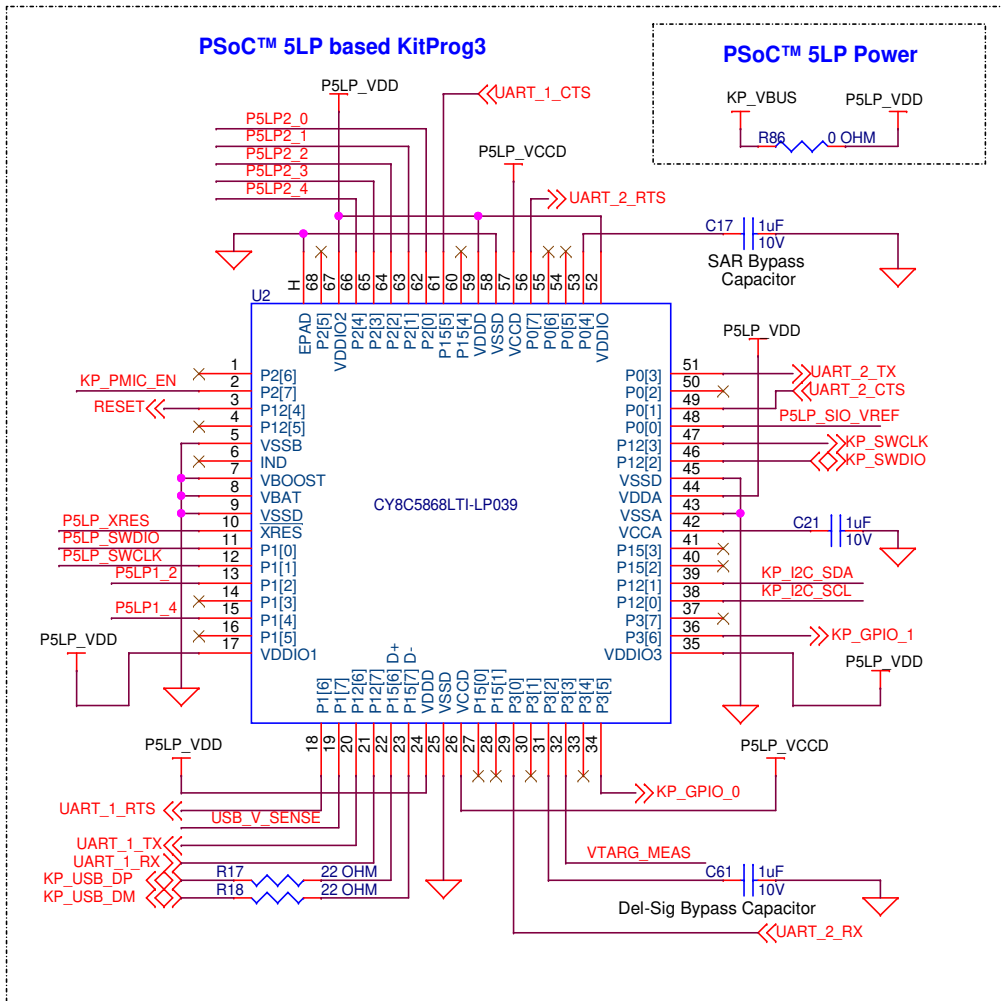




**Legal Disclaimer :**  
 The information given in this document shall in no event be regarded as a guarantee of conditions or characteristics. With respect to any examples or hints given herein, any typical values stated herein and/or any information regarding the application of the device, Infineon Technologies hereby disclaims any and all warranties and liabilities of any kind, including without limitation, warranties of non-infringement of intellectual property rights of any third party.



|   |  |                         |                            |                  |
|---|--|-------------------------|----------------------------|------------------|
| <b>SCH Title : CY8CEVAL-062S2 PSoC™ 62S2 evaluation kit</b> |  |                         |                            |                  |
| <b>Page Title: Power Supply (2)</b>                         |  |                         |                            |                  |
| Size<br>A4  | Document Number<br><b>630-60607-01</b> | Drawn By<br><b>AARA</b> | Approved By<br><b>RKAD</b> | Rev<br><b>04</b> |
| Date:<br>2  | Tuesday, October 26, 2021              |                         | Sheet<br>5                 | of 16            |

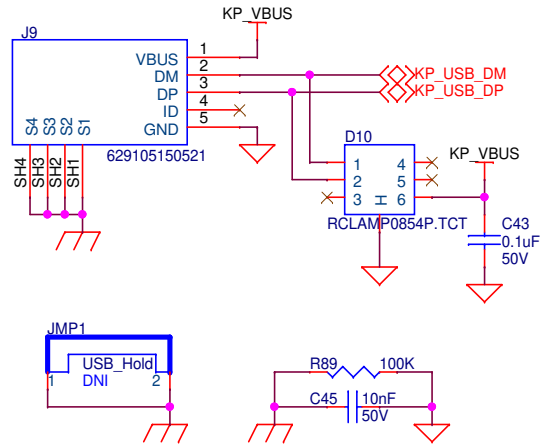


**Legal Disclaimer :**  
 The information given in this document shall in no event be regarded as a guarantee of conditions or characteristics. With respect to any examples or hints given herein, any typical values stated herein and/or any information regarding the application of the device, Infineon Technologies hereby disclaims any and all warranties and liabilities of any kind, including without limitation, warranties of non-infringement of intellectual property rights of any third party.

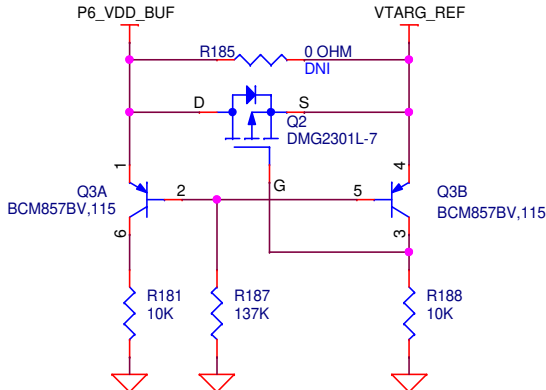


|   |  |                         |                            |                  |
|---|--|-------------------------|----------------------------|------------------|
| <b>SCH Title : CY8CEVAL-062S2 PSoC™ 62S2 evaluation kit</b> |  |                         |                            |                  |
| <b>Page Title : KitProg3 Controller</b>                     |  |                         |                            |                  |
| Size<br><b>A4</b>   | Document Number<br><b>630-60607-01</b> | Drawn By<br><b>AARA</b> | Approved By<br><b>RKAD</b> | Rev<br><b>04</b> |
| Date:<br>Tuesday, October 26, 2021                          | Sheet<br>6 of 16                       |                         |                            |                  |

### KitProg3 USB Micro-B Connector



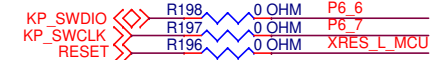
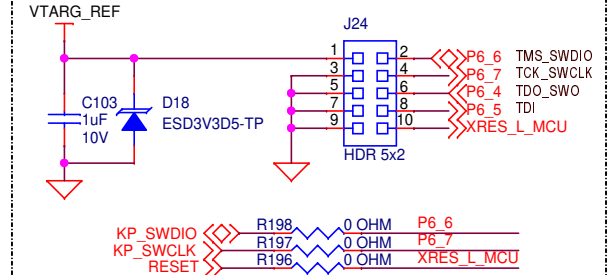
### VTARG Reverse Voltage Protection



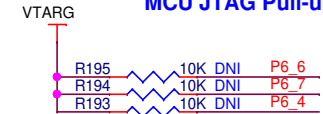
Note 1: VTARG\_REF is only output voltage sense line for external debuggers. PSoC™ 6 MCU can't be powered using external debugging headers J22 and J24

Note 2: If R185 is loaded and external power is used, make sure to remove jumper shunt from J18 to prevent reverse voltage to on-board regulator

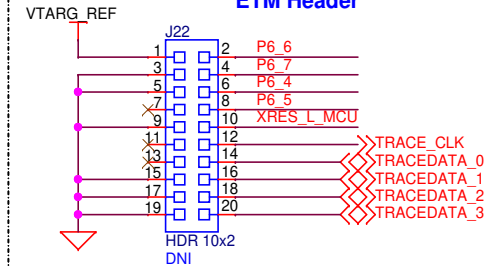
### PSoC™ 6 MCU 10-pin SWD/JTAG Header



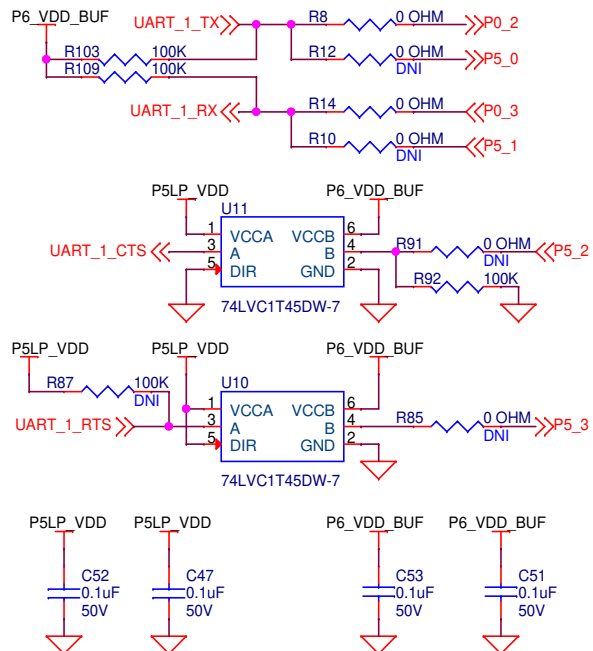
### MCU JTAG Pull-up



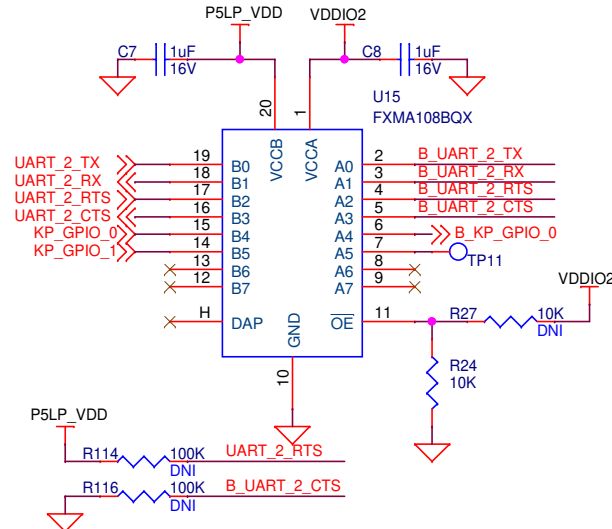
### ETM Header



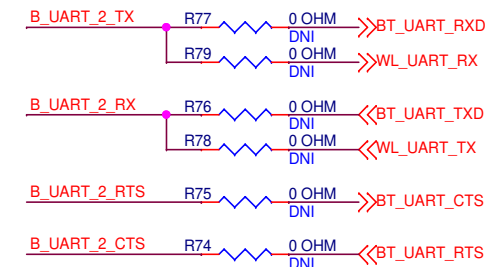
### KitProg3 Primary UART Interface



### KitProg3 Level Translator for Secondary UART and GPIO



### KitProg3 Secondary UART Multiplexing



**Legal Disclaimer :**  
The information given in this document shall in no event be regarded as a guarantee of conditions or characteristics. With respect to any examples or hints given herein, any typical values stated herein and/or any information regarding the application of the device, Infineon Technologies hereby disclaims any and all warranties and liabilities of any kind, including without limitation, warranties of non-infringement of intellectual property rights of any third party.



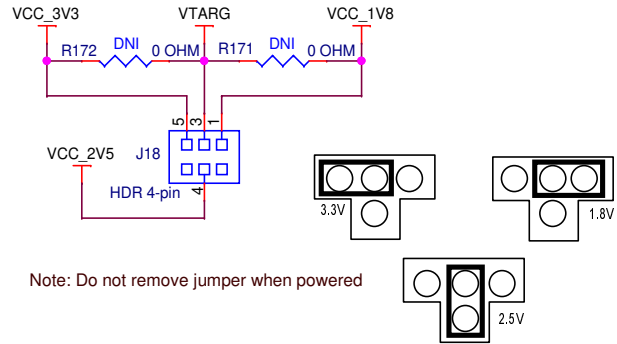
SCH Title : CY8CEVAL-062S2 PSoC™ 62S2 evaluation kit

Page Title : KitProg3 Interfaces

|            |                                 |                  |                     |           |
|------------|---------------------------------|------------------|---------------------|-----------|
| Size<br>A4 | Document Number<br>630-60607-01 | Drawn By<br>AARA | Approved By<br>RKAD | Rev<br>04 |
|------------|---------------------------------|------------------|---------------------|-----------|

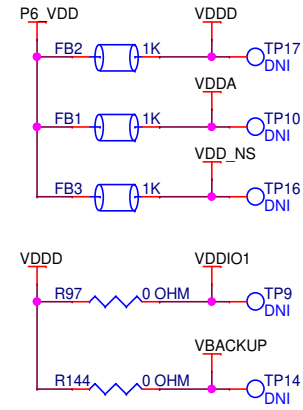
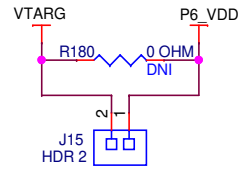
Date: Tuesday, October 26, 2021 Sheet 7 of 16

### MCU Power Selection Jumper

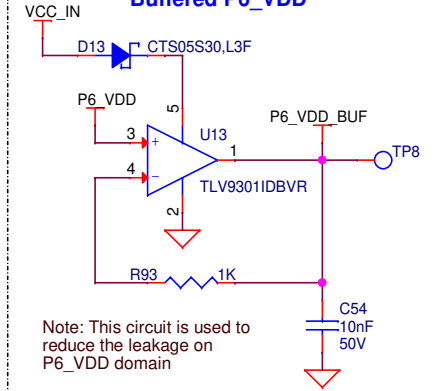


Note: Do not remove jumper when powered

### MCU Current Measurement

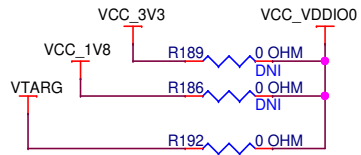


### Buffered P6\_VDD

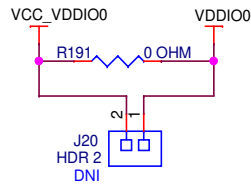


Note: This circuit is used to reduce the leakage on P6\_VDD domain

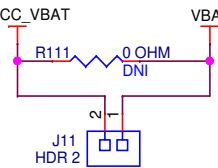
### VDDIO0 Voltage Selection



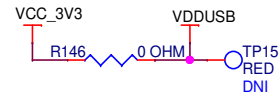
### VDDIO0 Current Measurement



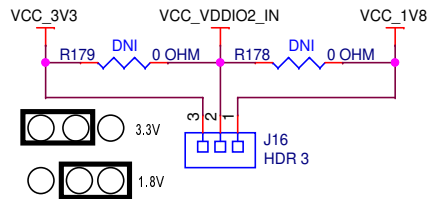
### VBAT Current Measurement



### MCU USB Power

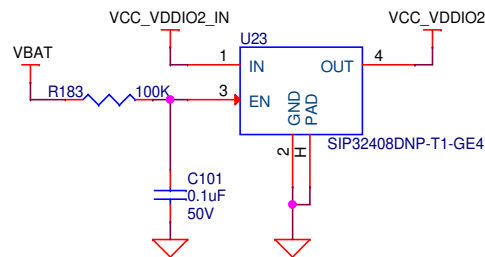


### VDDIO2 Power Selection Jumper



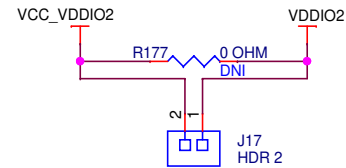
Note 1: Do not remove jumper when powered  
Note 2: Ensure to set 1.8V when using only 1.8V compatible radio

### Load Switch

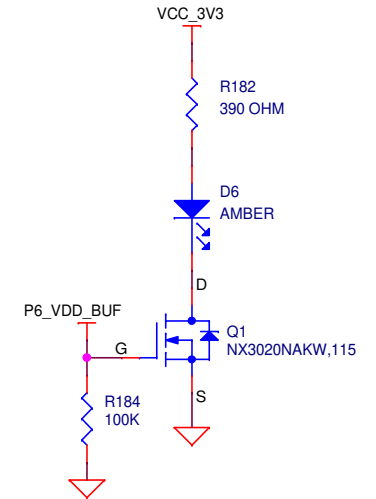


Note: The load switch is used to disable VDDIO supply when VBAT is not powered. Load switch can consume input leakage current upto 1uA at EN

### VDDIO2 Current Measurement



### Power LED



#### Legal Disclaimer :

The information given in this document shall in no event be regarded as a guarantee of conditions or characteristics. With respect to any examples or hints given herein, any typical values stated herein and/or any information regarding the application of the device, Infineon Technologies hereby disclaims any and all warranties and liabilities of any kind, including without limitation, warranties of non-infringement of intellectual property rights of any third party.



SCH Title : CY8CEVAL-062S2 PSoC™ 62S2 evaluation kit

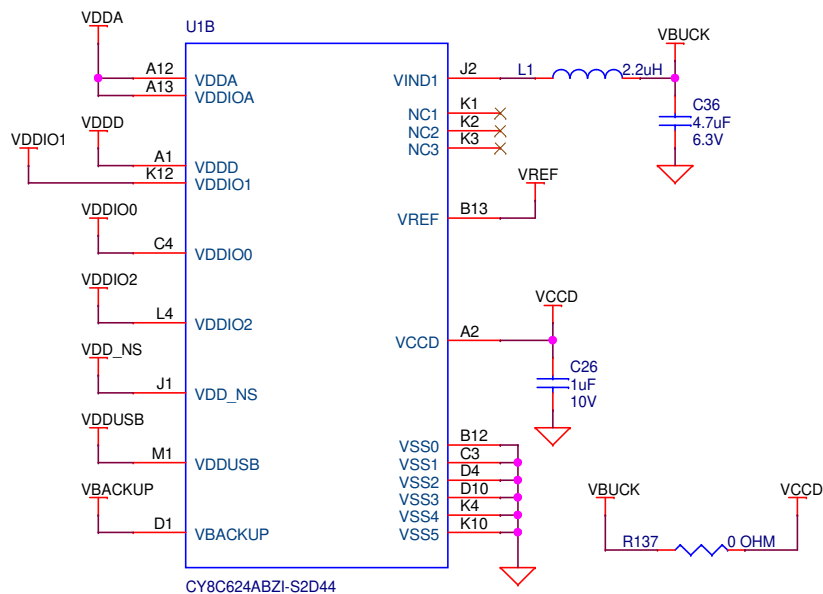
Page Title : Power Selection and Current Measurement Jumpers

|            |                                 |                  |                     |           |
|------------|---------------------------------|------------------|---------------------|-----------|
| Size<br>A4 | Document Number<br>630-60607-01 | Drawn By<br>AARA | Approved By<br>RKAD | Rev<br>04 |
|------------|---------------------------------|------------------|---------------------|-----------|

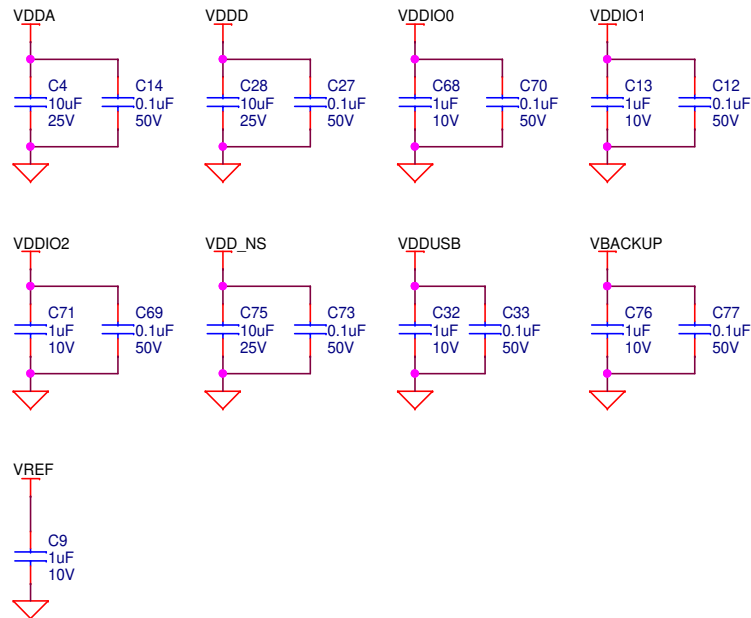
Date: Tuesday, October 26, 2021 Sheet 8 of 16



### Supply for PSoC™ 6 MCU



### Decoupling Capacitors



**Legal Disclaimer :**

The information given in this document shall in no event be regarded as a guarantee of conditions or characteristics. With respect to any examples or hints given herein, any typical values stated herein and/or any information regarding the application of the device, Infineon Technologies hereby disclaims any and all warranties and liabilities of any kind, including without limitation, warranties of non-infringement of intellectual property rights of any third party.

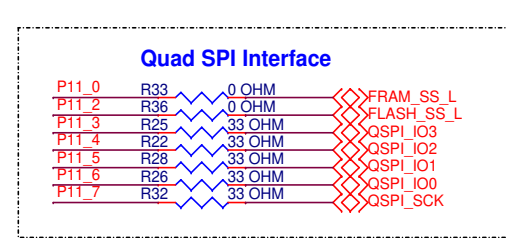
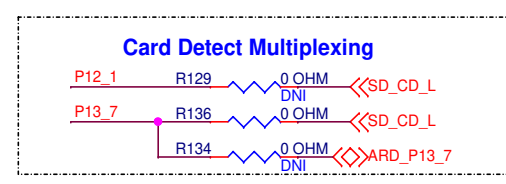
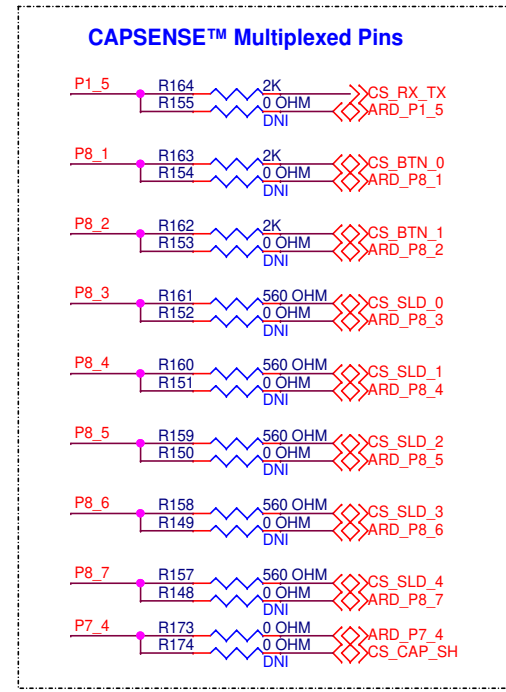
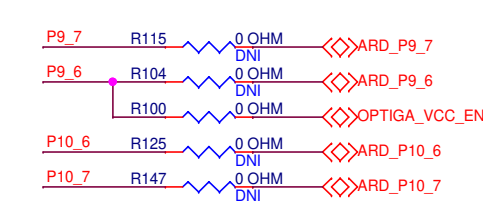
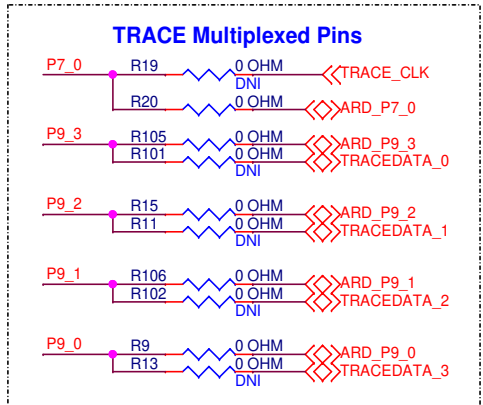
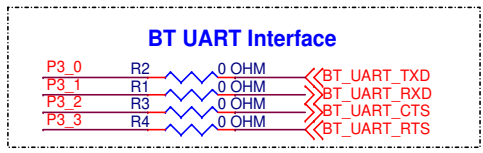
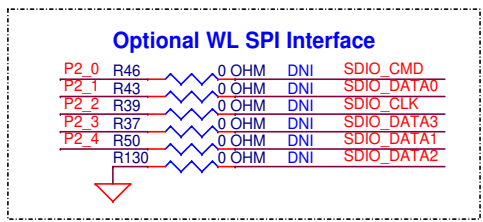
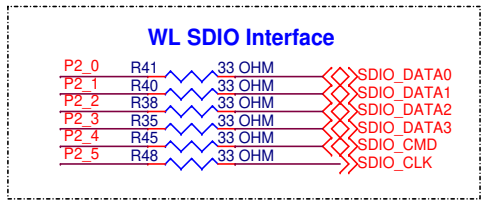
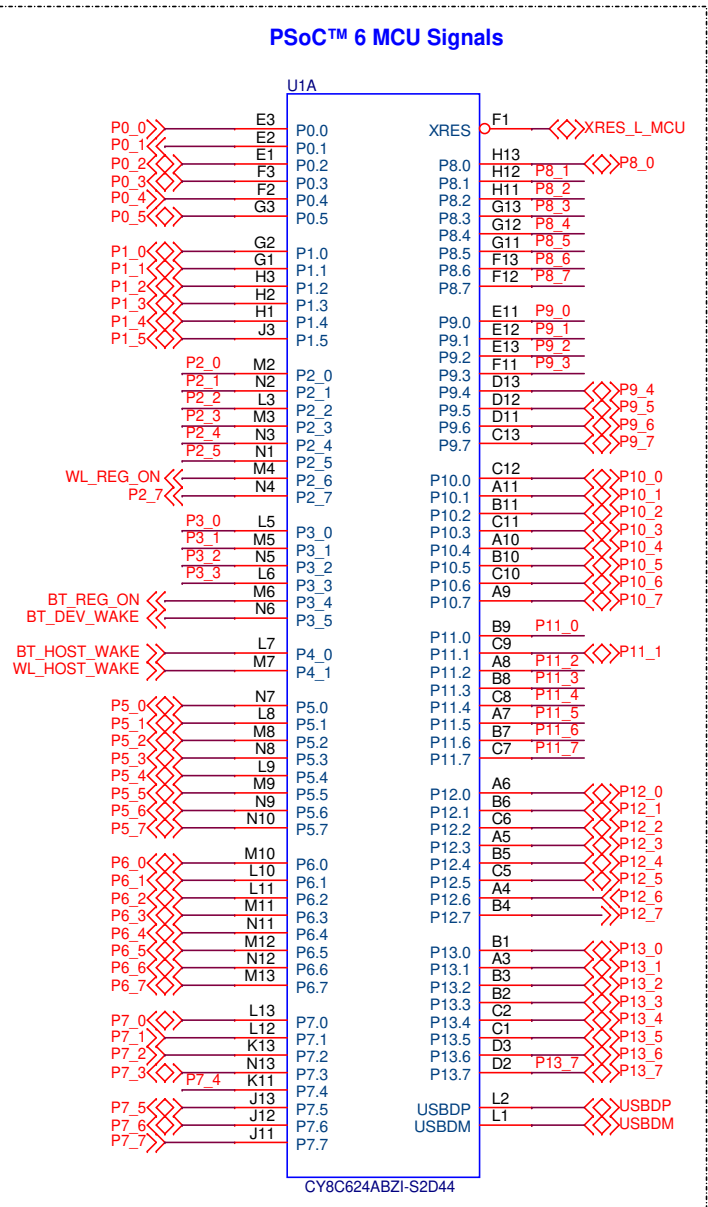


SCH Title : CY8CEVAL-062S2 PSoC™ 62S2 evaluation kit

Page Title: PSoC™ 6 MCU Power

|            |  |                         |                            |                  |
|------------|--|-------------------------|----------------------------|------------------|
| Size<br>A4 | Document Number<br><b>630-60607-01</b> | Drawn By<br><b>AARA</b> | Approved By<br><b>RKAD</b> | Rev<br><b>04</b> |
|------------|--|-------------------------|----------------------------|------------------|

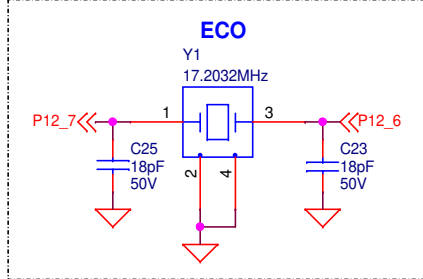
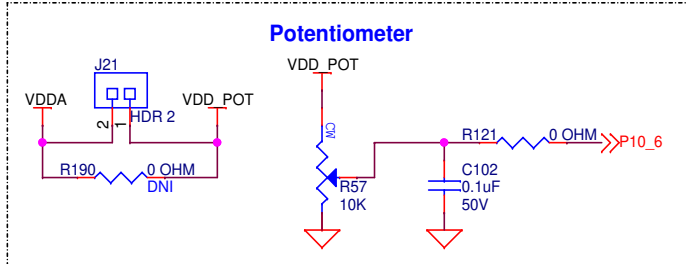
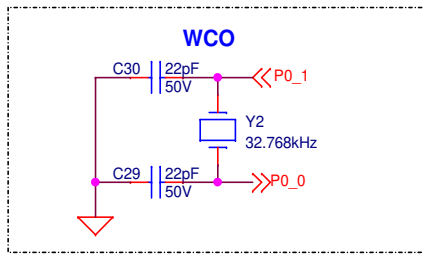
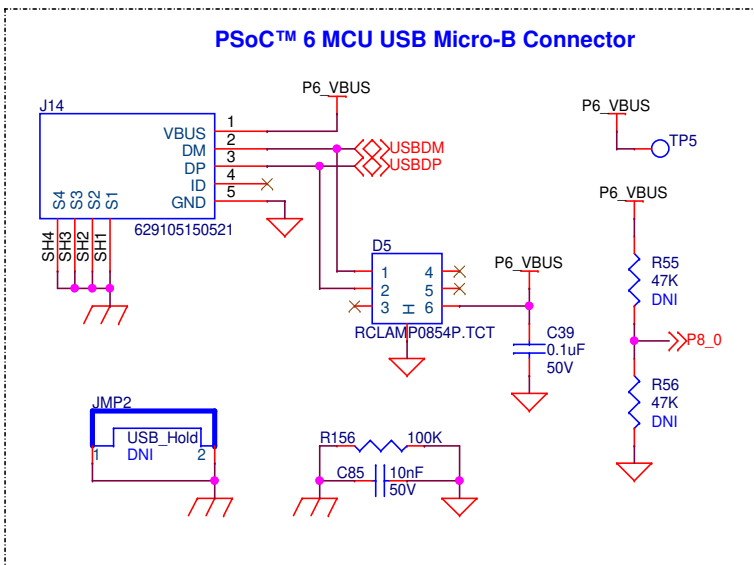
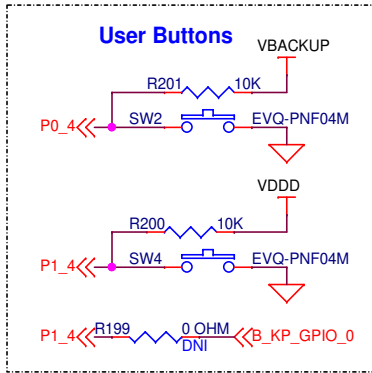
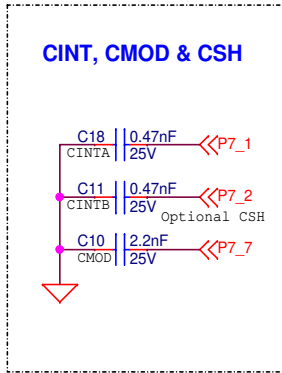
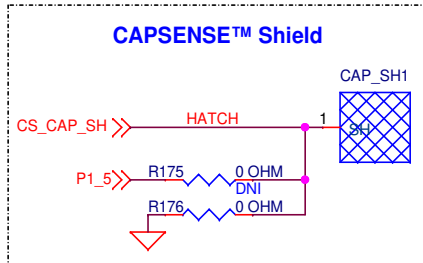
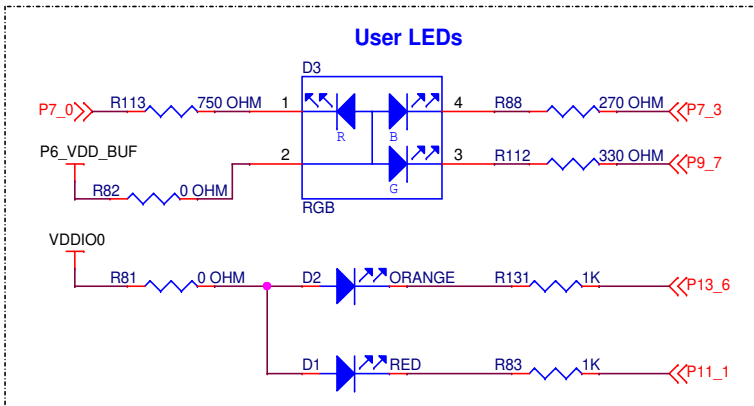
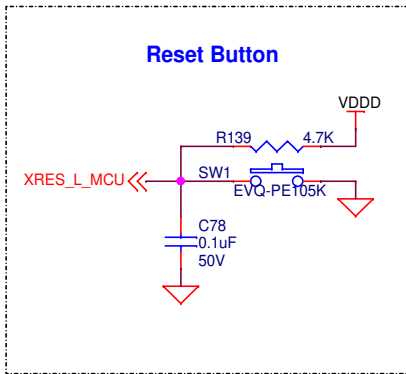
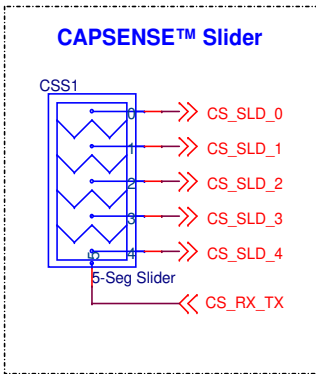
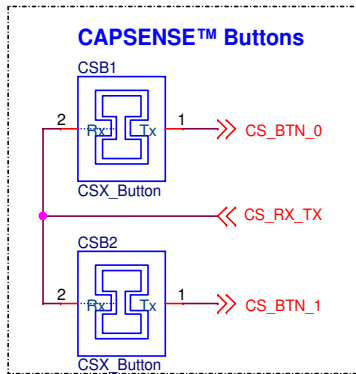
Date: Tuesday, October 26, 2021 Sheet 9 of 16



**Legal Disclaimer :**  
 The information given in this document shall in no event be regarded as a guarantee of conditions or characteristics. With respect to any examples or hints given herein, any typical values stated herein and/or any information regarding the application of the device, Infineon Technologies hereby disclaims any and all warranties and liabilities of any kind, including without limitation, warranties of non-infringement of intellectual property rights of any third party.



|  |                                 |                  |                     |           |
|--|---------------------------------|------------------|---------------------|-----------|
| SCH Title : CY8CEVAL-062S2 Psoc™ 62S2 evaluation kit |                                 |                  |                     |           |
| Page Title : Psoc™ 6 MCU Signals                     |                                 |                  |                     |           |
| Size<br>A4   | Document Number<br>630-60607-01 | Drawn By<br>AARA | Approved By<br>RKAD | Rev<br>04 |
| Date:  | Tuesday, October 26, 2021       | Sheet            | 10                  | of 16     |

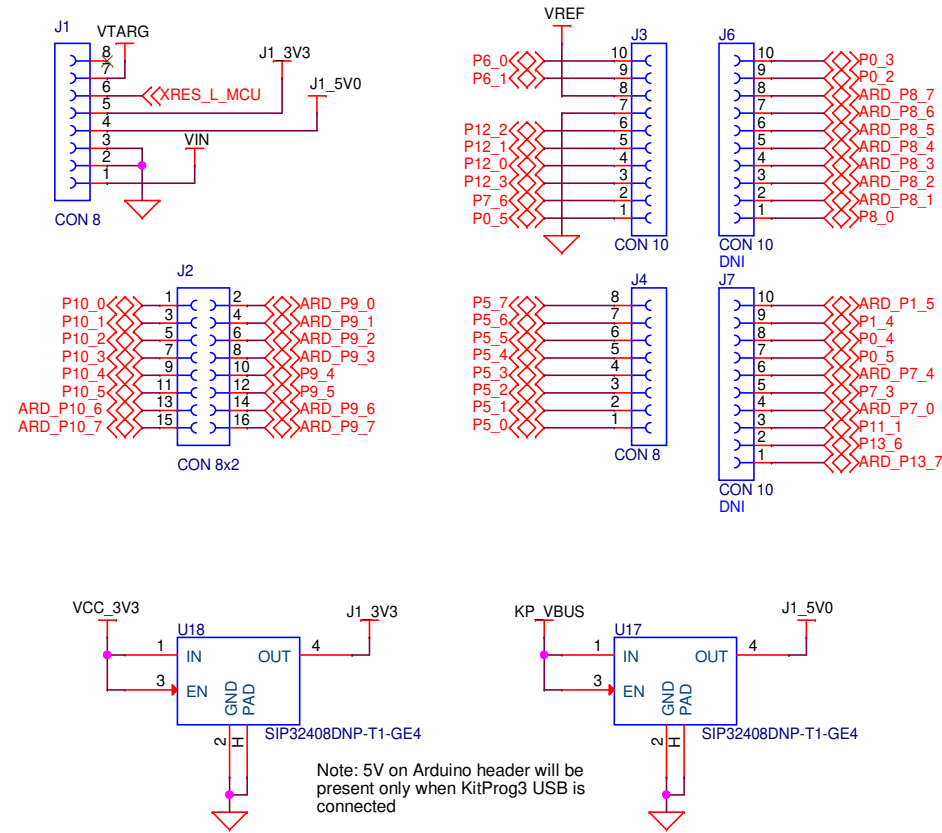


**Legal Disclaimer :**  
The information given in this document shall in no event be regarded as a guarantee of conditions or characteristics. With respect to any examples or hints given herein, any typical values stated herein and/or any information regarding the application of the device, Infineon Technologies hereby disclaims any and all warranties and liabilities of any kind, including without limitation, warranties of non-infringement of intellectual property rights of any third party.

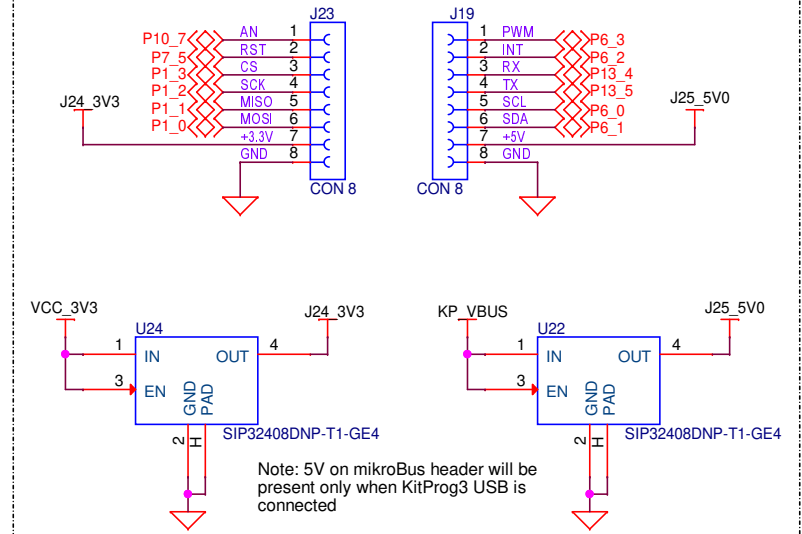


|  |                                 |                  |                     |           |
|--|---------------------------------|------------------|---------------------|-----------|
| SCH Title : CY8CEVAL-062S2 PSoC™ 62S2 evaluation kit |                                 |                  |                     |           |
| Page Title : PSoC™ 6 MCU Peripherals                 |                                 |                  |                     |           |
| Size<br>A4   | Document Number<br>630-60607-01 | Drawn By<br>AARA | Approved By<br>RKAD | Rev<br>04 |
| Date:  | Tuesday, October 26, 2021       | Sheet            | 11                  | of 16     |

### Arduino & Extended Headers



### mikroBUS Headers



**Legal Disclaimer :**  
 The information given in this document shall in no event be regarded as a guarantee of conditions or characteristics. With respect to any examples or hints given herein, any typical values stated herein and/or any information regarding the application of the device, Infineon Technologies hereby disclaims any and all warranties and liabilities of any kind, including without limitation, warranties of non-infringement of intellectual property rights of any third party.

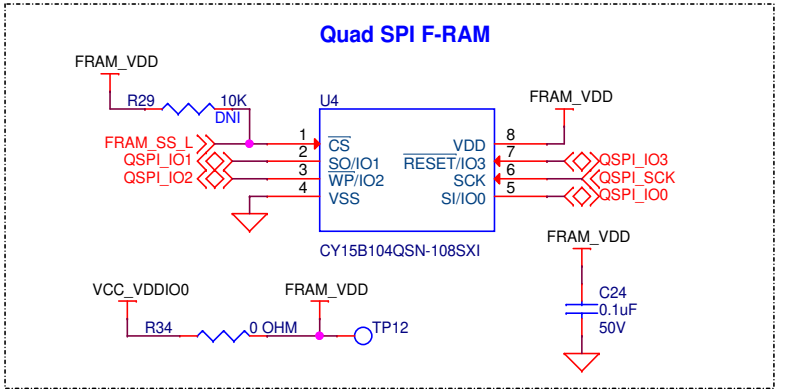
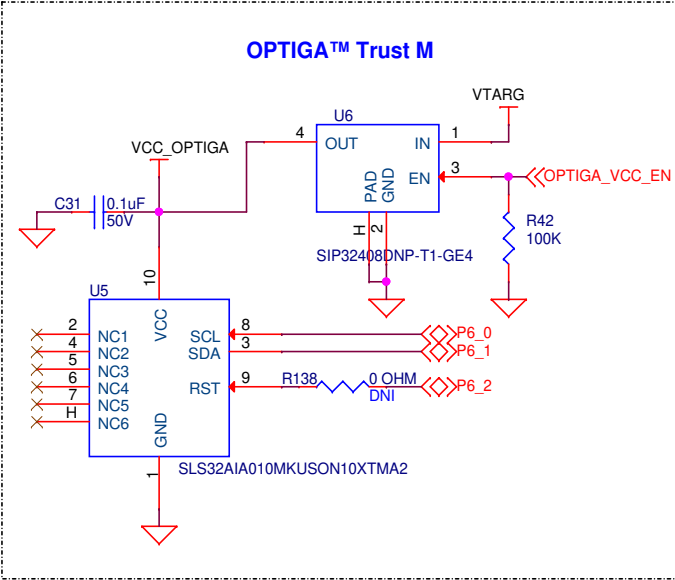
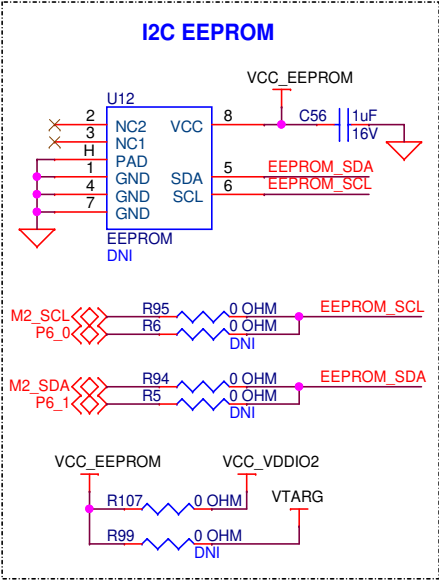
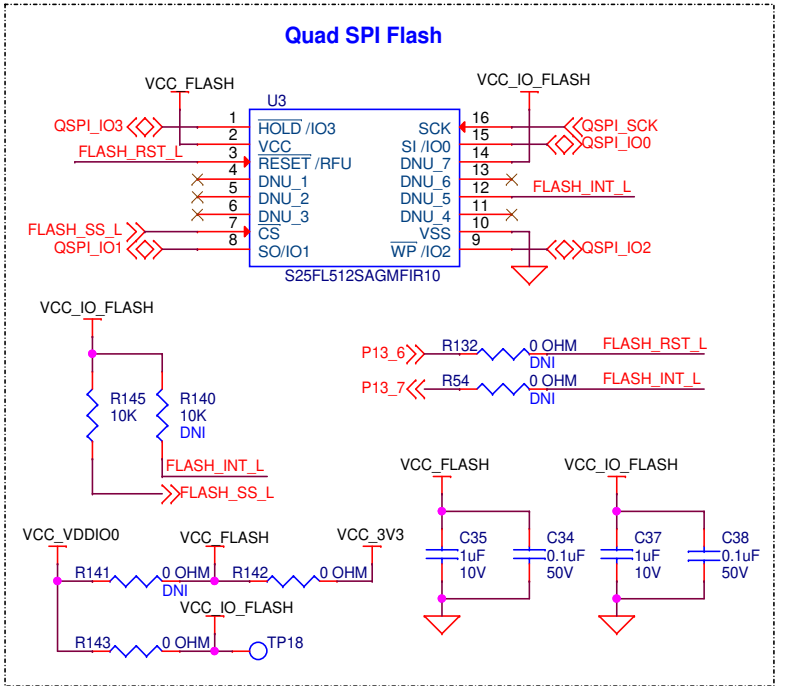
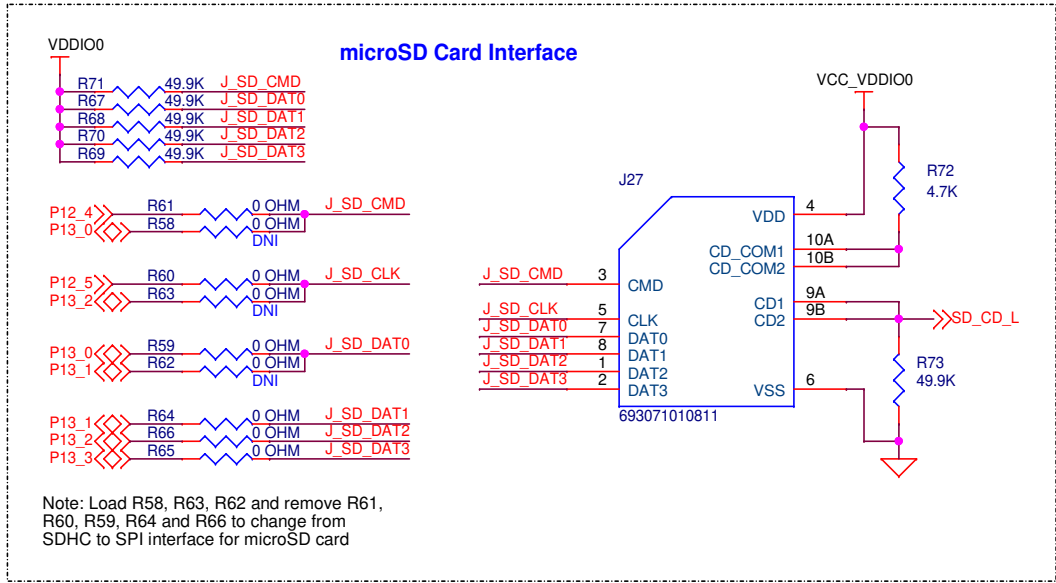


SCH Title : CY8CEVAL-062S2 PSoC™ 62S2 evaluation kit

Page Title : Arduino , mikroBUS and Extended Headers

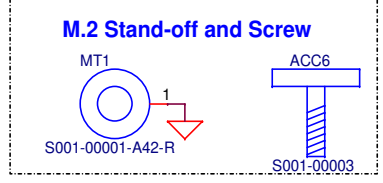
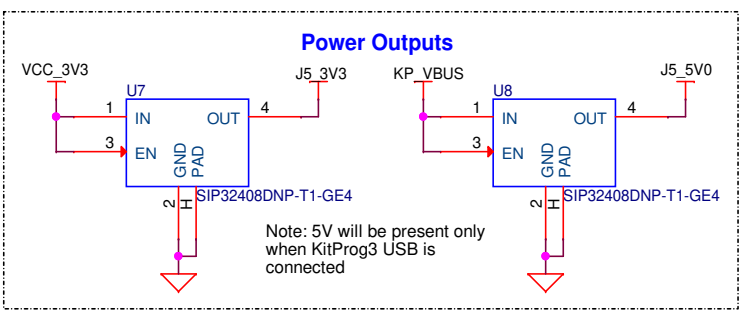
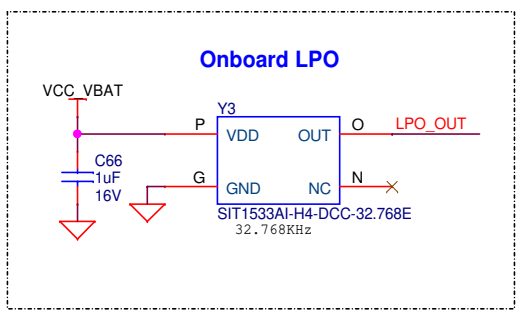
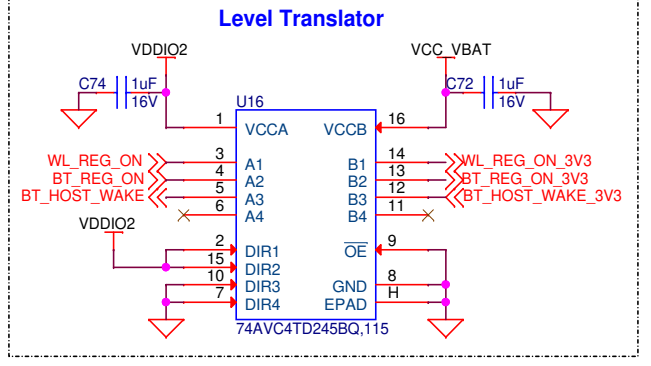
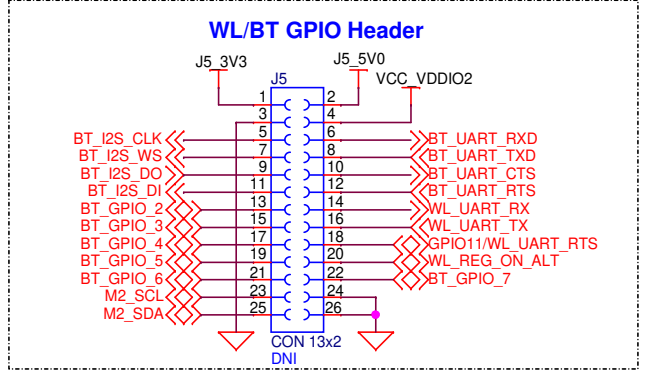
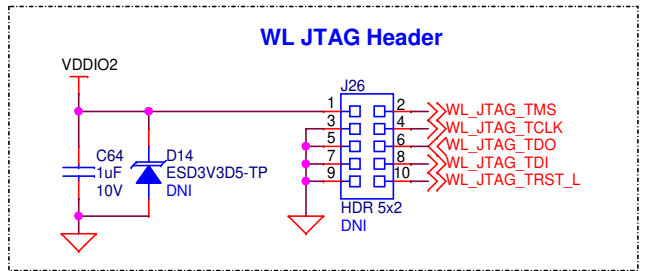
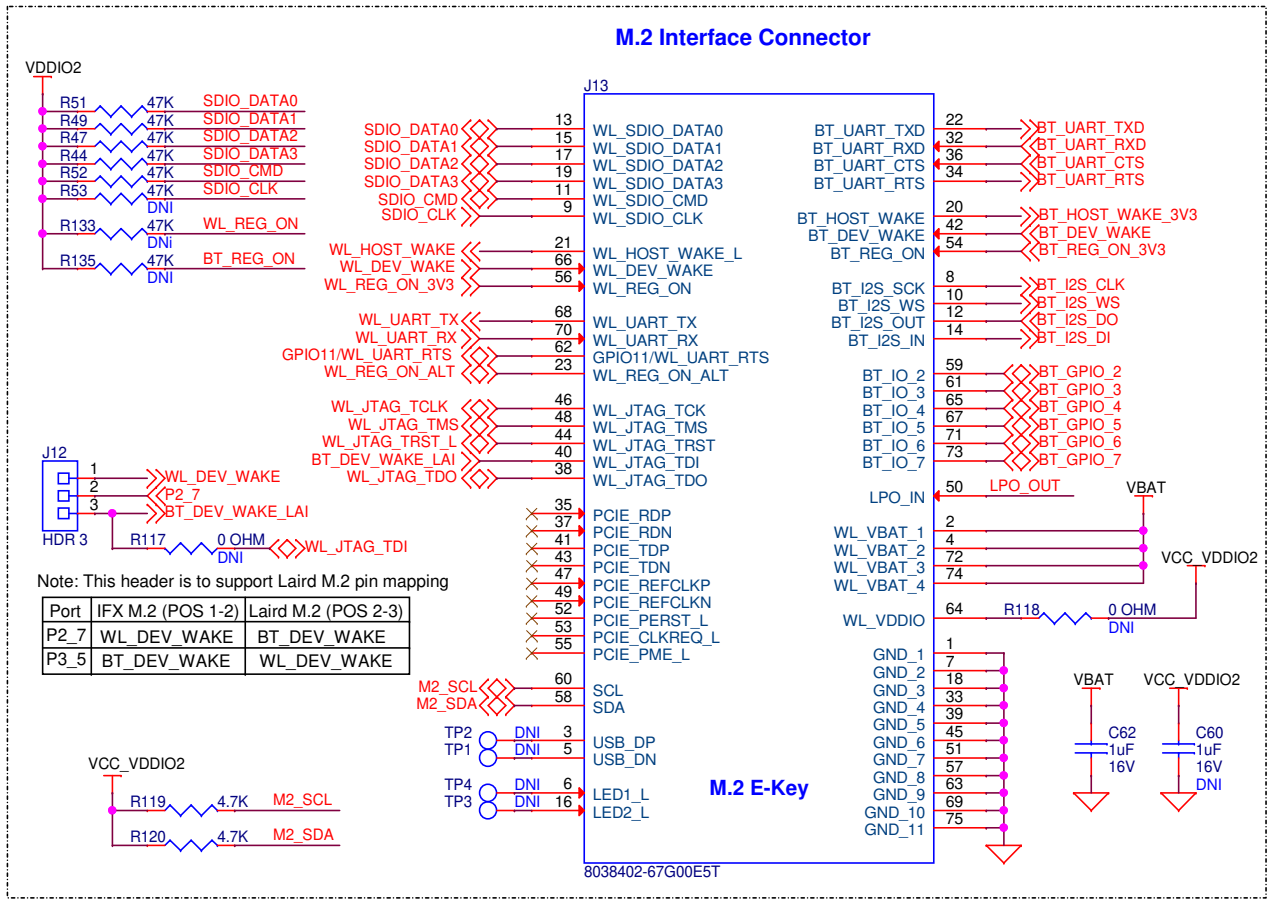
|            |                                 |                  |                     |           |
|------------|---------------------------------|------------------|---------------------|-----------|
| Size<br>A4 | Document Number<br>630-60607-01 | Drawn By<br>AARA | Approved By<br>RKAD | Rev<br>04 |
|------------|---------------------------------|------------------|---------------------|-----------|

Date: Tuesday, October 26, 2021 Sheet 12 of 16



**Legal Disclaimer :**  
The information given in this document shall in no event be regarded as a guarantee of conditions or characteristics. With respect to any examples or hints given herein, any typical values stated herein and/or any information regarding the application of the device, Infineon Technologies hereby disclaims any and all warranties and liabilities of any kind, including without limitation, warranties of non-infringement of intellectual property rights of any third party.



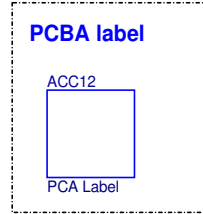
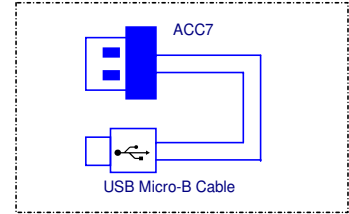
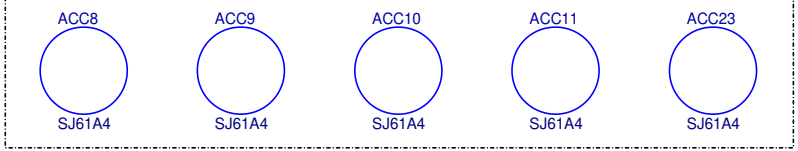


**Legal Disclaimer :**  
 The information given in this document shall in no event be regarded as a guarantee of conditions or characteristics. With respect to any examples or hints given herein, any typical values stated herein and/or any information regarding the application of the device, Infineon Technologies hereby disclaims any and all warranties and liabilities of any kind, including without limitation, warranties of non-infringement of intellectual property rights of any third party.

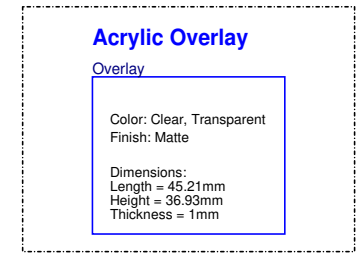
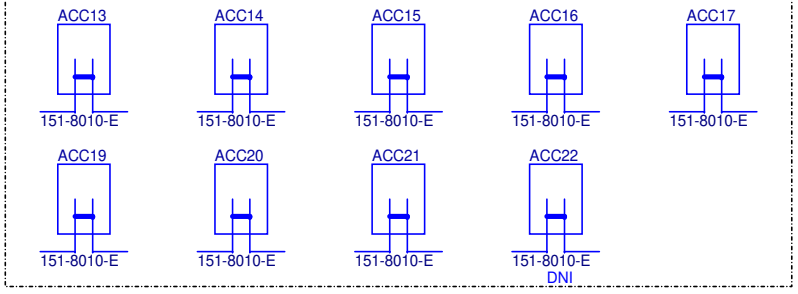


## Accessories

### Cylindrical Bump-ons



### Jumper Shunts



**Legal Disclaimer :**  
 The information given in this document shall in no event be regarded as a guarantee of conditions or characteristics. With respect to any examples or hints given herein, any typical values stated herein and/or any information regarding the application of the device, Infineon Technologies hereby disclaims any and all warranties and liabilities of any kind, including without limitation, warranties of non-infringement of intellectual property rights of any third party.



|   |                 |          |                |     |
|---|-----------------|----------|----------------|-----|
| <b>SCH Title : CY8CEVAL-062S2 PSoC™ 62S2 evaluation kit</b> |                 |          |                |     |
| <b>Page Title: Accessories</b>                              |                 |          |                |     |
| Size  | Document Number | Drawn By | Approved By    | Rev |
| A4  | 630-60607-01    | AARA     | RKAD           | 04  |
| Date: Tuesday, October 26, 2021                             |                 |          | Sheet 15 of 16 |     |

## REVISION HISTORY

| REV | DESCRIPTION OF CHANGE                           | Orig. of Change | DATE       |
|-----|---|-----------------|------------|
| 01  | Internal Release                                | AARA            | 2021/03/12 |
| 02  | Internal Release                                | AARA            | 2021/05/06 |
| 03  | Initial Release                                 | AARA            | 2021/06/15 |
| 04  | R55 & R56 values changed to 47K and made as DNI | RISR            | 2021/09/14 |
|     |   |                 |            |
|     |   |                 |            |
|     |   |                 |            |
|     |   |                 |            |
|     |   |                 |            |
|     |   |                 |            |
|     |   |                 |            |
|     |   |                 |            |
|     |   |                 |            |
|     |   |                 |            |
|     |   |                 |            |
|     |   |                 |            |
|     |   |                 |            |
|     |   |                 |            |
|     |   |                 |            |
|     |   |                 |            |
|     |   |                 |            |
|     |   |                 |            |
|     |   |                 |            |
|     |   |                 |            |
|     |   |                 |            |
|     |   |                 |            |
|     |   |                 |            |
|     |   |                 |            |
|     |   |                 |            |
|     |   |                 |            |

**Legal Disclaimer :**  
 The information given in this document shall in no event be regarded as a guarantee of conditions or characteristics. With respect to any examples or hints given herein, any typical values stated herein and/or any information regarding the application of the device, Infineon Technologies hereby disclaims any and all warranties and liabilities of any kind, including without limitation, warranties of non-infringement of intellectual property rights of any third party.



**SCH Title : CY8CEVAL-062S2 PSoC™ 62S2 evaluation kit**

**Page Title: Revision History**

|            |  |                         |                            |                  |
|------------|--|-------------------------|----------------------------|------------------|
| Size<br>A4 | Document Number<br><b>630-60607-01</b> | Drawn By<br><b>AARA</b> | Approved By<br><b>RKAD</b> | Rev<br><b>04</b> |
|------------|--|-------------------------|----------------------------|------------------|

Date: Tuesday, October 26, 2021      Sheet 16 of 16