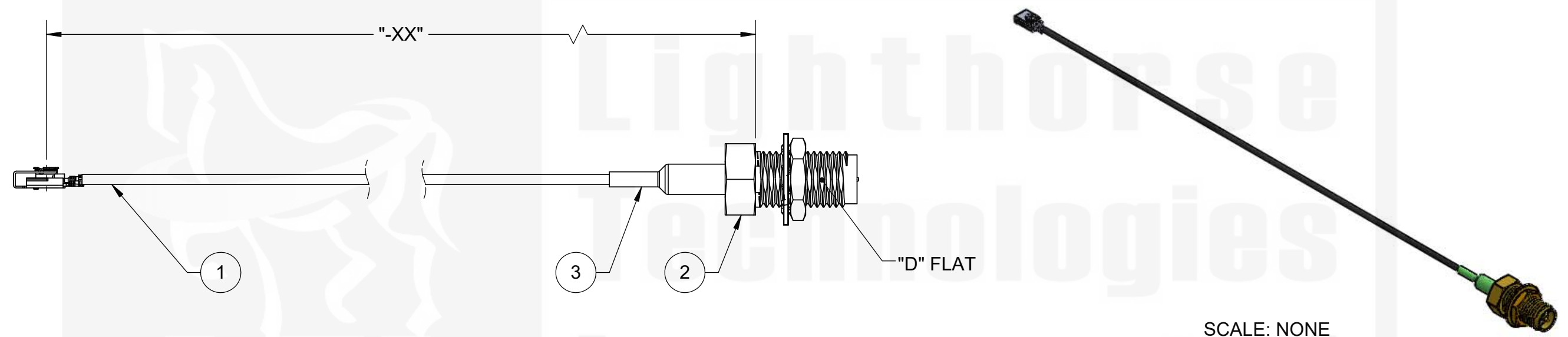


REVISIONS				
REV	ECR	DESCRIPTION	DRAWN	DATE
1		ENGINEERING RELEASE	P. BURDGE	10/29/2020

-XX IN THE ENDING OF THE CABLE PART NUMBER IS CALLING OUT THE LENGTH OF THE ASSEMBLY FROM CENTER TO MATING FLANGE OF CONNECTORS. EXAMPLES SHOWN BELOW:



LTI P/N: CB1.37-IPXLK-SARF3GT-4IN (4 INCHES)
 CB1.37-IPXLK-SARF3GT-6IN (6 INCHES)



SCALE: NONE

ITEM	PART NUMBER	DESCRIPTION	QTY
1	CB1.37-2IPXLK-500MM	IPXLK (MHF1 LK) LOCKING, RHT ANGLE, JACK, CABLE CRIMP, BLACK (I-PEX 20351-112R-37)	0.5
2	SASRF13RGT-316	SMA, REV POL JACK, BLKHD, CABLE CRIMP	1
3	1635F-1/8"	.125 (1/8) DIA, .75 LENGTH, GREEN	1

IPX® AND MHF® ARE REGISTERED TRADEMARKS OF I-PEX CO., LTD. CORPORATION

DO NOT SCALE DRAWING TOLERANCES UNLESS OTHERWISE SPECIFIED DIMENSIONS ARE IN MILLIMETERS X = ±0.5 X.X = ±0.25 X.XX = ±0.13 ANGLE = ±30'		 Lighthouse Technologies San Diego, CA WWW.RFCONNECTOR.COM	TITLE: CABLE ASSEMBLY, I-PEX LOCKING, (MHF1) R/A JACK, CRIMP TO RP SMA, JACK, REAR BULKHEAD MNT, 1.37MM COAX	
THIRD ANGLE PROJECTION 			SIZE: B	PART/DWG. NO: CB1.37-IPXLK-SARF3GT-xxIN
CUSTOMER APPROVAL SIGN / DATE: ENG APPR. _____ CHECKED _____ DRAWN P. BURDGE 10/29/2020 NAME _____ DATE _____		SCALE: 2:1	FILE NAME	SHEET 1 OF 1

PROPRIETARY AND CONFIDENTIAL
 UNLESS OTHERWISE SPECIFIED: THIS DOCUMENT CONTAINS LIGHORSE TECHNOLOGIES INFORMATION. REPRODUCTION, USE, DISCLOSURE OR TRANSMITTAL OF ALL OR ANY PART OF THIS DOCUMENT IS PROHIBITED EXCEPT TO THE EXTENT APPROVED IN WRITING BY AN AUTHORIZED REPRESENTATIVE OF LIGHORSE TECHNOLOGIES. LIGHORSE TECHNOLOGIES RESERVES ALL RIGHTS UNDER PATENTS, TRADEMARKS, COPY RIGHTS AND TRADE SECRETS. COPY RIGHTS OF LIGHORSE TECHNOLOGIES 2011, ALL RIGHTS RESERVED.

