

1

2

3

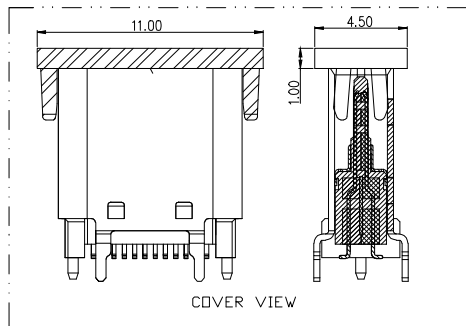
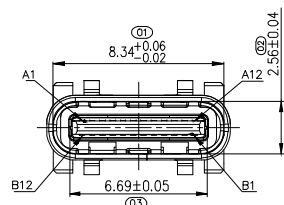
4

5

6

7

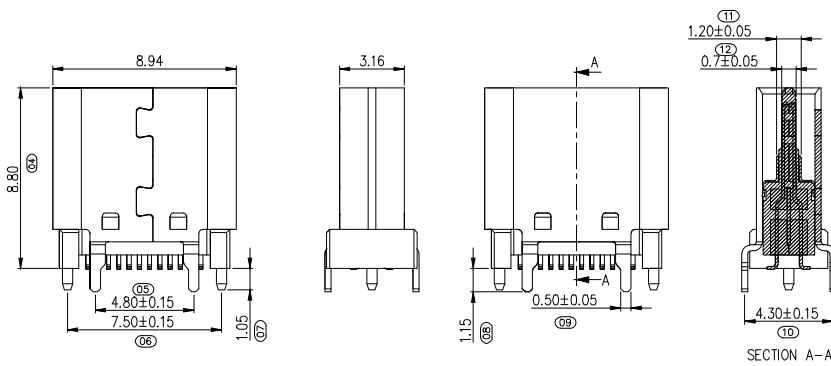
A



NOTES:  
 1.MATERIAL:  
 1.1 HOUSING: LCP+30%GF UL94V-0 BLACK  
 1.2 CONTACT: C7025 T=0.15mm  
 Au PLATED ON CONTACT AREA & G/F SOLDER AREA PLATED OVER 50u" min NI  
 1.3 SHELL: SUS304 T=0.30mm 50U" MIN NI PLATED OVERALL  
 1.4 MID PLATE: SUS301 T=0.15mm  
 2.SPECIFICATION:  
 2.1 CURRENT RATING: 5A  
 2.2 CONTACT RESISTANCE: 40mΩ MAX(initial value)  
 50mΩ MAX(after test)  
 2.3 INSULATION RESISTANCE: 100MΩ MIN  
 2.4 WITHSTANDING VOLTAGE: 100V AC R.M.S.  
 2.5 INSERTION FORCE: 5-20N INSERTION FORCE= 5-20N (after test)  
 UNMATING FORCE: 8-20N UNMATING FORCE= 6-20N (after test)  
 2.6 DURABILITY: 10000CYCLES  
 2.7 HIGH TEMPERATURE RESISTANCE SMT reflow soldering (peak 260±5), plastic can not have blister,  
 Poor melting glue, discoloration, warping deformation within the tolerance range ;  
 2.8 THE PRODUCT SHALL BE TESTED FOR SOLDERING AND THE SOLDERING AREA SHALL REACH MORE  
 THAN 95%  
 2.9 Salt spray: 24H min  
 3. OPERATING TEMPERATURE: -30℃~+85℃

B

C



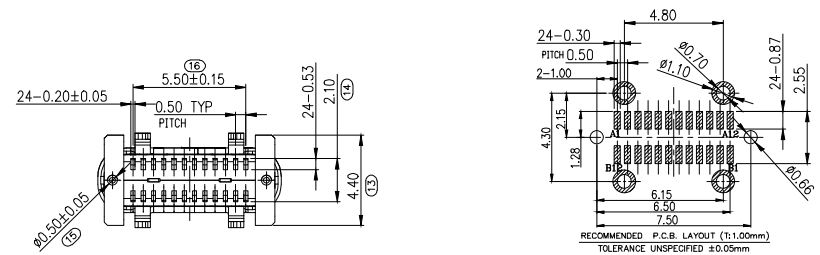
ORDER CODE:  
 A-USBC-32F1-EG-xSR08

G: CONTACT AREA Au 1u" min  
 H: CONTACT AREA Au 30u" min

D

	Signal Name		Signal Name
A1	GND	B12	GND
A2	SSTXp1	B11	SSRXp1
A3	SSTXn1	B10	SSRXn1
A4	VBUS	B9	VBUS
A5	CC1	B8	SBU2
A6	Dp1	B7	Dn2
A7	Dn1	B6	Dp2
A8	SBU1	B5	CC2
A9	VBUS	B4	VBUS
A10	SSRXn2	B3	SSTXn2
A11	SSRXp2	B2	SSTXp2
A12	GND	B1	GND

E



F

**RoHS compliant**  
 Unit: mm

G	Scale	Free	Date	Name	Description: USB Connector			
	TOLERANCE					Drawn	08.06.2022	Luca
	X.X	±0.35				Approved	08.06.2022	Luca
	X.XX	±0.25						
X.XXX	±0.15	ASSMANN WSW-No. <b>A-USBC-32F1-EG-xSR08</b>						
H	DIM	TOL	Drawing-No.					
	X°	±2°	ASS 9321 CO rev00					
	①	Drawn	08.06.2022	Luca	Customer-No.			
	Id.	Modification	Date	Name		Sheet 1/2		



1

2

3

4

5

6

7

1

2

3

4

5

6

7

A

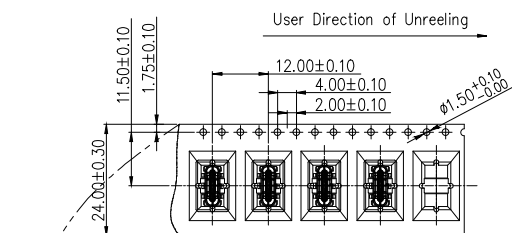
B

C

D

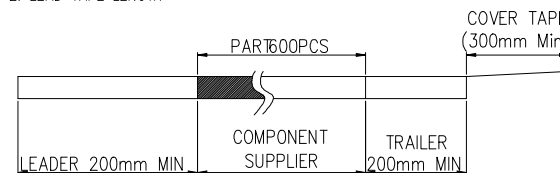
E

F

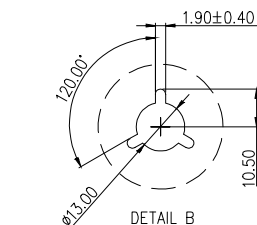
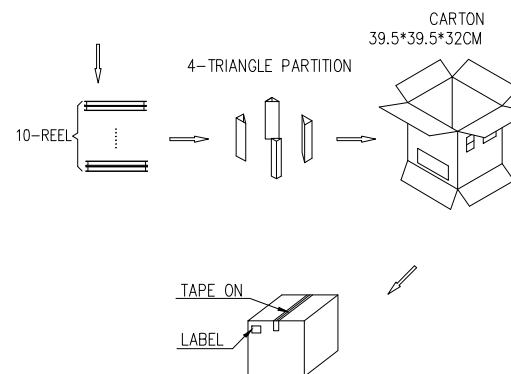
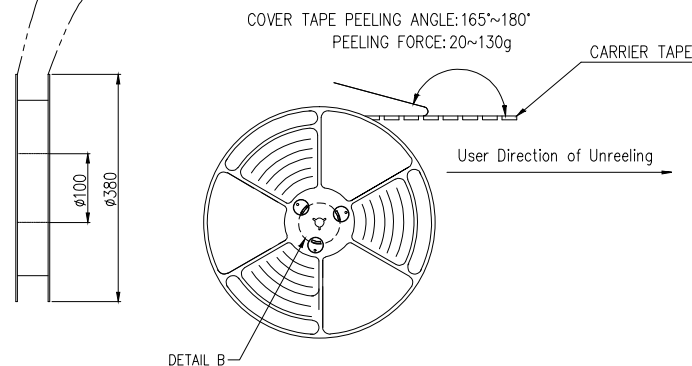


NOTES

- 1. NUMBER OF CONNECTORS: 600PCS/REEL
- 2. LEAD TAPE LENGTH



3. QUANTITY: 6000PCS/CARTON



**RoHS compliant**  
Unit: mm

G	Scale	Free					Date	Name	Description: USB Connector	
	TOLERANCE					Drawn	08.06.2022	Luca	USB3.2 GEN1 TYPE C / FEMALE / 24pin / Vertical	
	X.X	±0.35				Approved	08.06.2022	Luca	ASSMANN WSW-No.	
	X.XX	±0.25							A-USBC-32F1-EG-xSR08	
H	X.XXX	±0.15							Drawing-No.	
	DIM	TOL							ASS 9321 CO rev00	
	X°	±2°							Customer-No.	
				①	Drawn	08.06.2022	Luca			
			Id.	Modification	Date	Name				

1

2

3

4

5

6

7