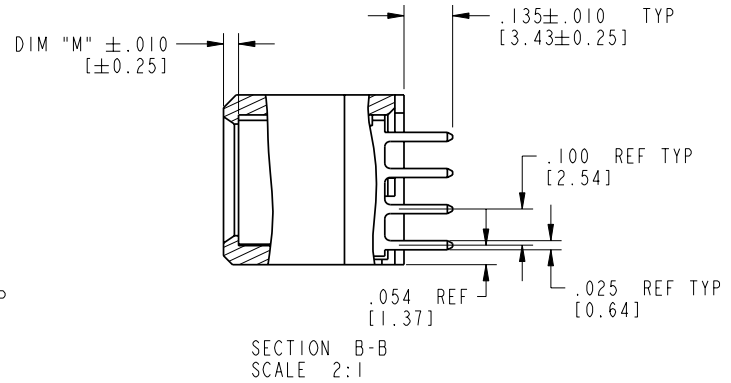
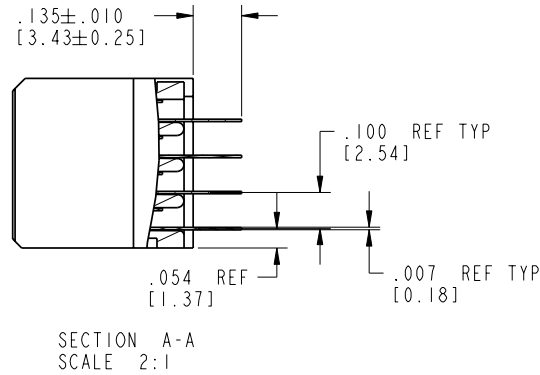


Tous droits strictement reserves. Reproduction ou communication a des tiers interdite sous quelque forme que ce soit sans autorisation ecrite du proprietaire. Propriete de c FCI. Droits de reproduction FCI.



All rights strictly reserved. Reproduction or issue to third parties in any form whatever is not permitted without written authority from the proprietor. Property of FCI. Copyright FCI.

PRODUCT NUMBER
51940-120--
NOTE 3



mat'l code SEE NOTE 2				tolerances unless otherwise specified		CUSTOMER		FCI	
lir	ecn no.	dr	date	linear	.XX±.01/0.X±0.3	COPY		www.fciconnect.com	
B					.XXX±.005/0.XX±0.13	projection	title 4P + 36S + 4P		
				angles	.XXX±.002/0.XXX±0.051			VERTICAL SOLDER RECEPT	
				dr	T. BRUNGARD 02/09/05	INCH/MM	product family	PwrBlade	code
				engr	L. HAO 02/09/05	scale	size	dwg no	213
				chr	L. HAO 02/09/05	1:1	A	51940-120	sheet
				appd	L. HAO 02/09/05				2 of 4
sheet index	revision sheet								

cage code 22526

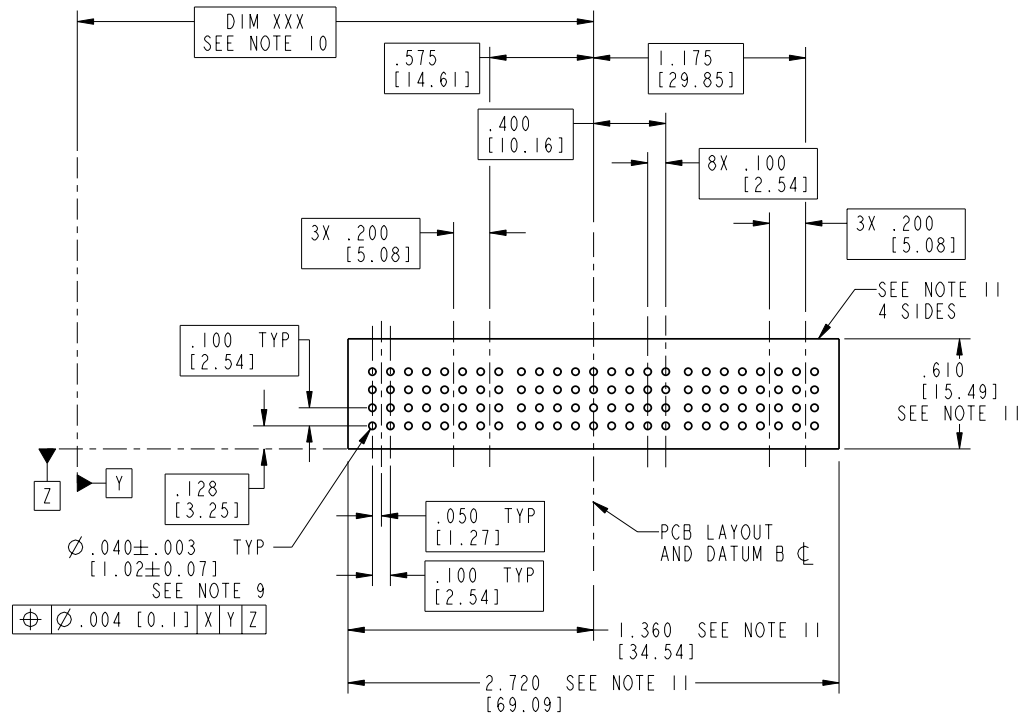
Pro/E

Tous droits strictement réservés. Reproduction ou communication à des tiers interdite sans quelque forme que ce soit sans autorisation écrite du propriétaire. Propriété de c FCI. Droits de reproduction FCI.



All rights strictly reserved. Reproduction or issue to third parties in any form whatever is not permitted without written authority from the proprietor. Property of FCI. Copyright FCI.

PRODUCT NUMBER
51940-120__
NOTE 3



mat'l code				SEE NOTE 2		tolerances unless otherwise specified		CUSTOMER		FCI	
lir	ecr no.	dr	date	linear	.XX±.01/0.X±0.3	COPY		www.fciconnect.com		title	
B					.XXX±.005/0.XX±0.13	projection		4P + 36S + 4P		VERTICAL SOLDER RECEPT	
				angles	.XXX±.002/0.XXX±0.051	INCH/MM		product family		PwrBlade	
				dr	0°±2°	scale		size		code	
				engr	T. BRUNGARD 02/09/05	1:1		dwg no		213	
				chr	L. HAO 02/09/05			A		sheet	
				appd	L. HAO 02/09/05			51940-120		3 of 4	
sheet index		revision sheet									

cage code 22526

Pro/E

Tous droits strictement reserves. Reproduction ou communication a des tiers interdite sous quelque forme que ce soit sans autorisation écrite du propriétaire. Propriete de c FCI. Droits de reproduction FCI.



All rights strictly reserved. Reproduction or issue to third parties in any form whatever is not permitted without written authority from the proprietor. Property of FCI. Copyright FCI.

1 | 2

3 |

4

PRODUCT NUMBER
51940-120-- NOTE 3

NOTES:

1. DIMENSIONS AND TOLERANCES ARE IN ACCORDANCE WITH ASME Y14.5M, 1994 UNLESS OTHERWISE SPECIFIED.

CONNECTOR NOTES:

- 2 HOUSING MATERIAL: UL 94 V-0 GLASS FILLED
HIGH-TEMP THERMOPLASTIC
POWER CONTACT MATERIAL: COPPER ALLOY
SIGNAL PIN MATERIAL: COPPER ALLOY
- 3. PLATING:
SEE PRINT 10064183 FOR PLATING SPEC OF 51940-120; 51940-120LF

- 4 MANUFACTURER'S NAME, P/N, AND DATE CODE TO APPEAR ON THIS SURFACE.
- 5. PRODUCT SPECIFICATION GS-12-149.
APPLICATION SPECIFICATION BUS-20-067.

6. PACKAGED IN TRAYS.

PCB NOTES:

- 7. ALL HOLE DIAMETERS ARE FINISHED HOLE SIZE.
- 8 MOUNTING HOLES, WHERE APPLICABLE, ARE UNPLATED.
- 9 $\varnothing .0453 \pm .0010$ [1.151 \pm 0.025] DRILLED HOLES PLATED WITH .0003 [0.008] MIN SnPb OVER .001 [0.03] TO .003 [0.08] Cu PLATING TO ACHIEVE $\varnothing .040 \pm .003$ [1.02 \pm .07] HOLE.
- 10 "DIM XXX" TO BE DETERMINED BY THE CUSTOMER.
- 11 CONNECTOR KEEP-OUT ZONE.

mat'l code		SEE NOTE 2		tolerances unless otherwise specified		CUSTOMER		FCI	
lfr	ecr no.	dr	date	linear	.XX±.01/0.X±0.3	COPY		www.fciconnect.com	
B				linear	.XXX±.005/0.XX±0.13	projection	title 4P + 36S + 4P		
				angles	.XXX±.002/0.XXX±0.051			VERTICAL SOLDER RECEPT	
				dr	T. BRUNGARD 02/09/05	INCH/MM		product family	PwrBlade
				enrg	L. HAO 02/09/05	scale		size	dwg no
				chr	L. HAO 02/09/05	1:1		A	51940-120
				appd	L. HAO 02/09/05			code	213
sheet index	revision sheet							sheet	4 of 4

A

A

B

B

1 | 2

Pro/E

3 |

cage code 22526

4