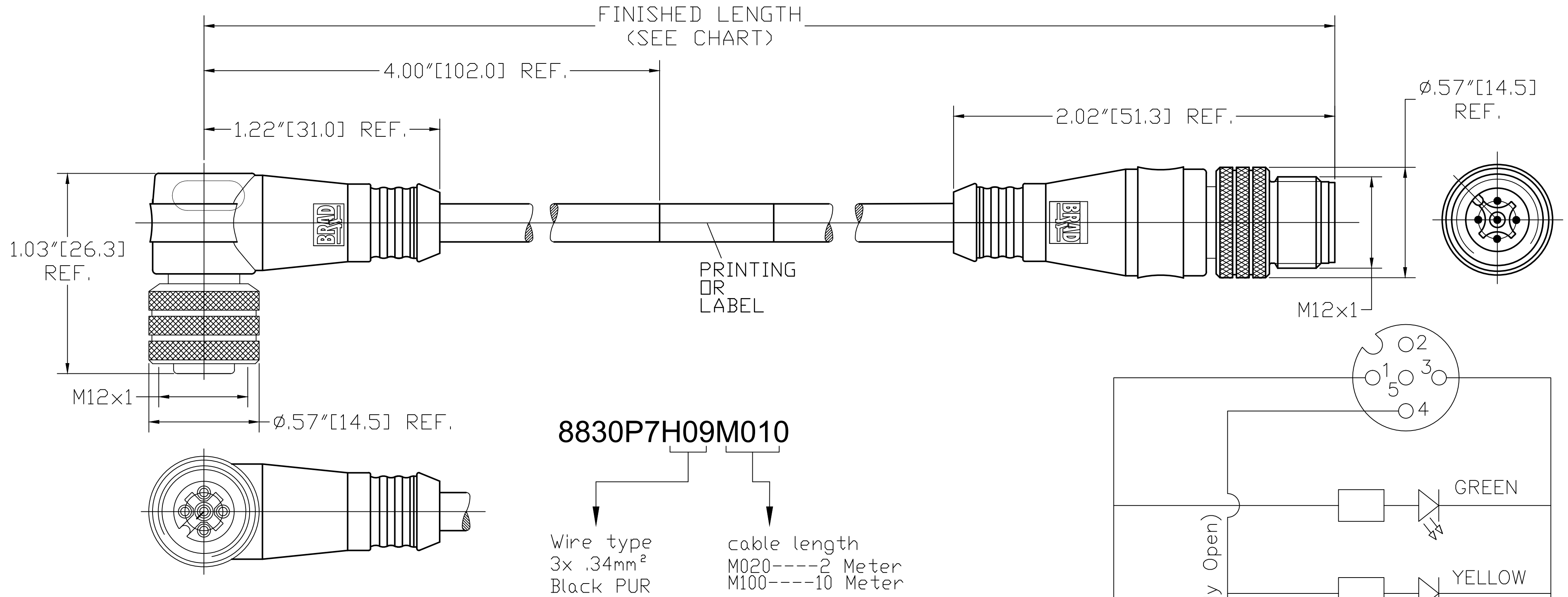


MATERIAL NUMBER **OLD PART NUMBER** **FINISHED LENGTH**

120067-8295 8830P7H09M010 3.28' +2.19" -0 [1.0M +55.6mm -0]



8830P7H09M010

Wire type
3x .34mm²
Black PUR

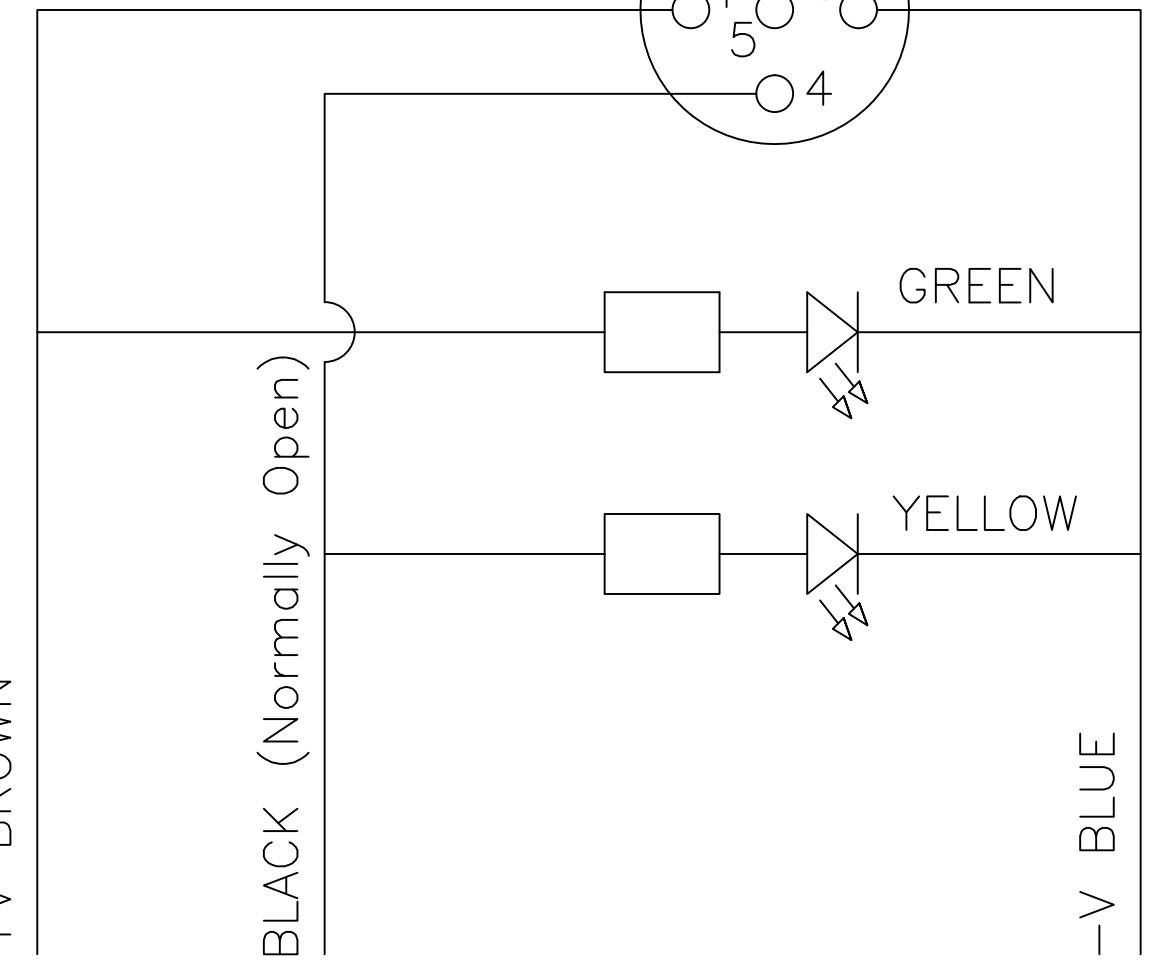
cable length
M020----2 Meter
M100----10 Meter

CONTACT:	GOLD/NICKEL OVER COPPER ALLOY
INSERT:	PUR, BLACK
COUPLING NUT:	BRASS, NICKEL PLATED
MOLDED BODY:	TPU, NATURAL
VOLTAGE RATING:	10 TO 30 VDC
AMPERAGE RATING:	4 AMPS
PROTECTION:	IP67
OPERATING TEMPERATURE:	FLEXING: -5°C TO 80°C STATIC: -30°C TO 80°C

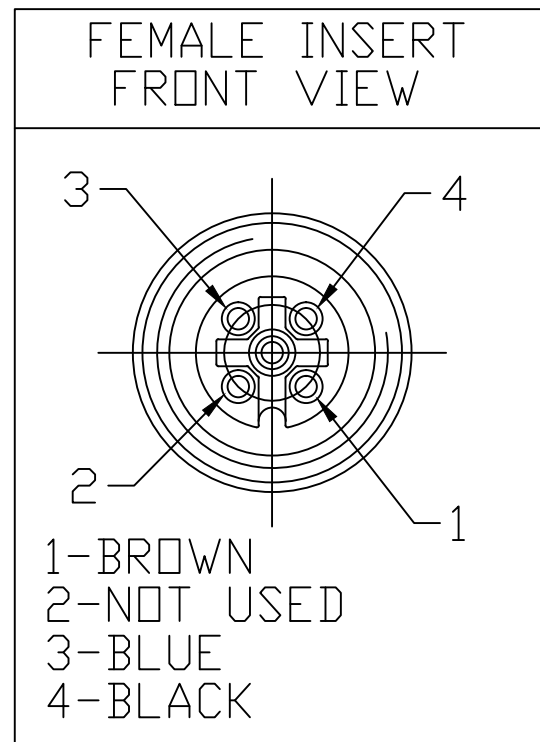
+V BROWN

BLACK (Normally Open)

-V BLUE



WIRING DIAGRAM



INITIAL RELEASE EC NO.: IPG2014-0063 DRWN: EBRACKEN 2013/07/01 CH'KD: RSTONE 9999/12/31 APPR: BWOODMAN2013/08/16	REV DESCRIPTION	QUALITY SYMBOL ▽=0 ▽=0	GENERAL TOLERANCES (UNLESS SPECIFIED)		DIMENSION STYLE	SCALE	DESIGN UNITS	THIRD ANGLE PROJECTION				
					INCH/MM	---	INCH					
					mm	INCH	DRAWN BY	DATE	TITLE			
					4 PLACES ±---	±---	EBRACKEN	2013/06/18	MICRO-CHANGE ASSEMBLY 3 POLE LED MM 90D ST CABLE PUR BLACK			
		3 PLACES ±---	±.005	CHECKED BY	DATE	MOLEX INCORPORATED						
		2 PLACES ±0.13	±.010	RSTONE	9999/12/31							
		1 PLACE ±0.25	±.020	APPROVED BY	DATE	DOCUMENT NO. SD-120067-040						
		ANGULAR ±.5°		BWOODMAN	2013/08/16							
		DRAFT WHERE APPLICABLE MUST REMAIN WITHIN DIMENSIONS		MATERIAL NO. SEE CHART		SHEET NO. 1 OF 1						
				SIZE C		THIS DRAWING CONTAINS INFORMATION THAT IS PROPRIETARY TO MOLEX INCORPORATED AND SHOULD NOT BE USED WITHOUT WRITTEN PERMISSION						