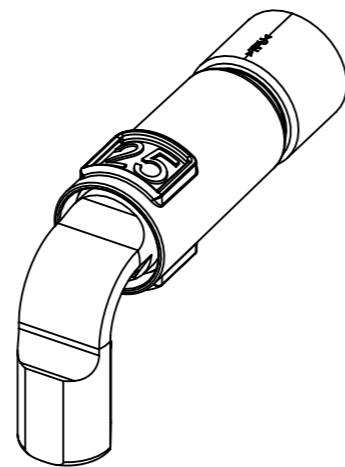
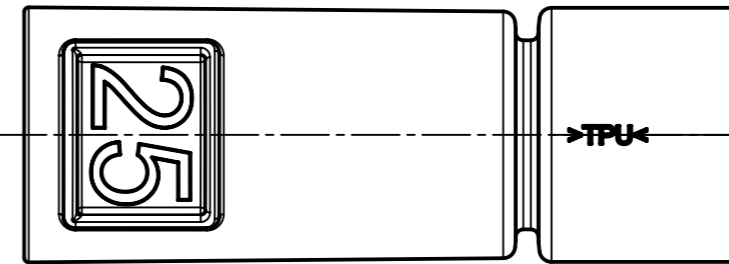
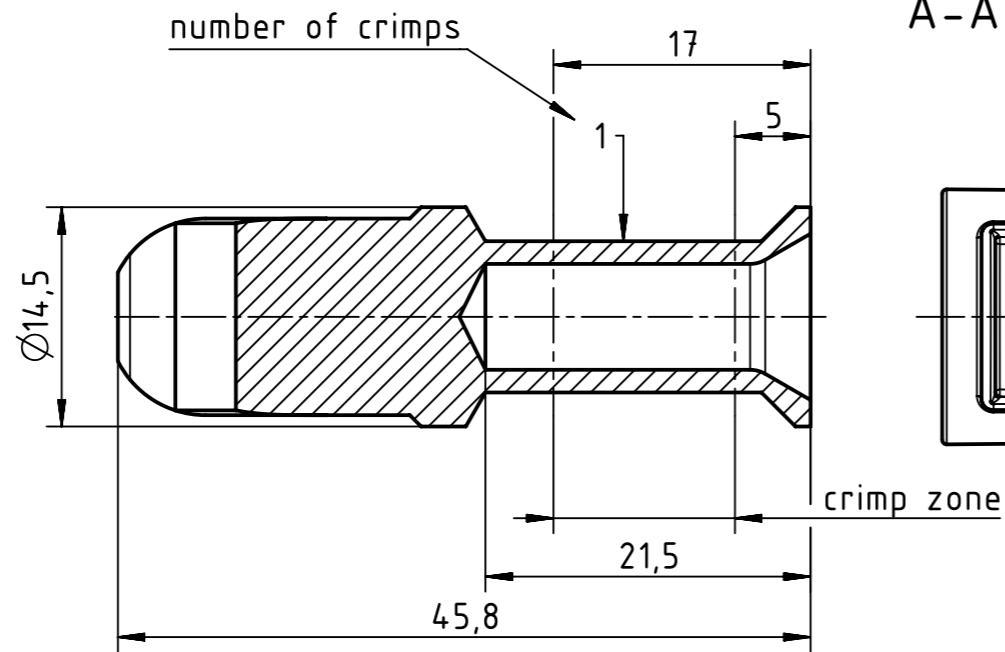


A-A(2:1)



assembly notes see catalogue  
 crimp zone acc. to DIN EN 46235; indicator 10  
 for stranded fine wire acc. to VDE 0295 class 5 / IEC 60228 class 5  
 wire gauge: 25mm<sup>2</sup>; 4 AWG  
 stripping length: 22mm

	All Dimensions in mm Original Size DIN A3	Scale 1:1	Free size tol.	Ref.
				Sub.
	All rights reserved Department EL PD	Created by DEIMEL	Inspected by GRIEPENSTROH	Standardisation 302077
				Date 2020-10-14
Title Han® S-200A FC CRT 25mm <sup>2</sup>				State Final Release
HARTING Electric GmbH & Co. KG D-32339 Espelkamp		Type TB	Number 09 93 000 6262	Doc-Key / ECM-Nr. 100847976/UGD/001/F 500000181276
			Rev. F	Page 1/1