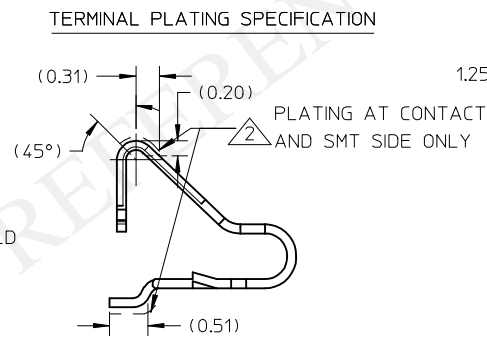
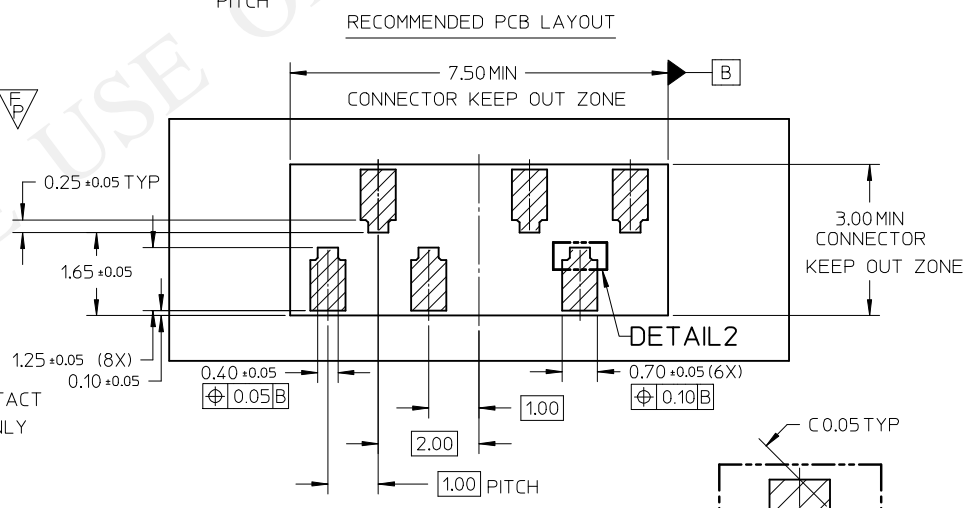
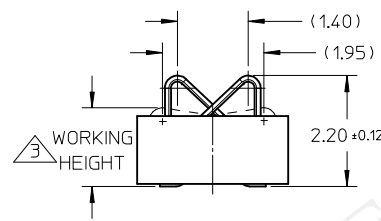
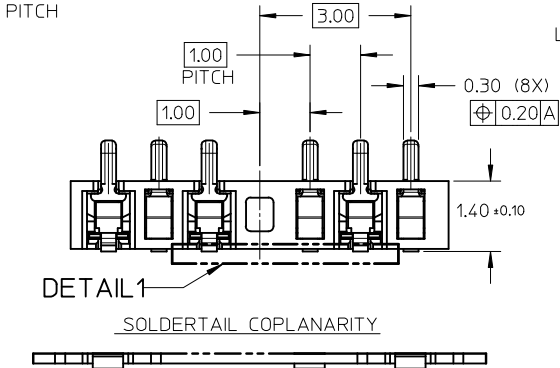
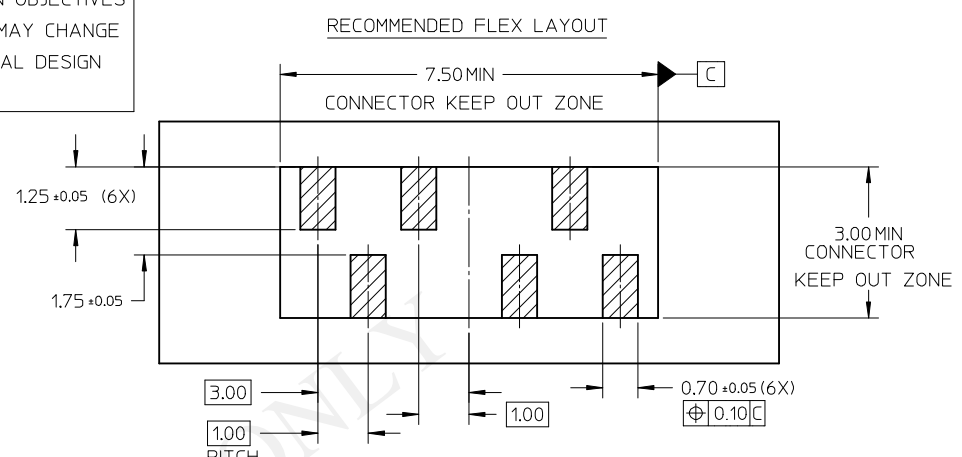
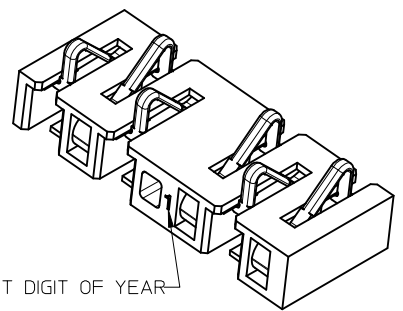


THIS DESIGN IS BASED ON DESIGN OBJECTIVES AND IS STRICTLY TENTATIVE. IT MAY CHANGE BASED ON RESULTS OF ADDITIONAL DESIGN REVIEWS & VERIFICATIONS.



- NOTES:
- MATERIALS:
HOUSING: LCP, 30% GLASS FILLED, COLOUR: BLACK
CONTACT: TITANIUM COPPER TiCu
 - FINISH:
CONTACT AREA: 0.38 MICROMETER (15 MICRO-INCH) MIN. GOLD OVER 1.27 MICROMETER (50 MICRO-INCH) MIN NICKEL UNDERPLATE.
SMT TAIL AREA: 1.27 MICROMETER (50 MICRO-INCH MIN.) PURE TIN (MATTE) OVER 1.27 MICROMETER (50 MICRO-INCH) MIN. NICKEL UNDERPLATE.
OTHER AREA PLATING: 1.27 MICROMETER (50 MICRO-INCH) MIN NICKEL OVERALL

- AT 1.63mm WORKING HEIGHT, FORCE IS 50g +25g/-10g AT LOADING CURVE
AT 1.75mm WORKING HEIGHT, FORCE IS 35g MIN AT LOADING CURVE
- PRODUCT SPECIFICATION TBA.
- LAST DIGIT OF THE YEAR TO BE LOCATED.
- DATE CODE TO BE LOCATED.
- MAXIMUM ALLOWABLE WARPAGE IS 0.12MM.

PROPOSAL EC NO: S2014-0117 DRW: KJKOH 2013/06/12 CHKD: JESSIECHUA 2013/08/07 APPR: SHONG 2013/08/07	QUALITY SYMBOLS	GENERAL TOLERANCES (UNLESS SPECIFIED)	DIMENSION STYLE	SCALE	DESIGN UNITS	THIRD ANGLE PROJECTION	
	$F_A=0$ $F_B=0$ $F_C=1$	mm INCH 4 PLACES ± --- ± --- 3 PLACES ± --- ± --- 2 PLACES ± 0.15 ± --- 1 PLACE ± 0.2 ± --- ANGULAR ± 3°	MM ONLY	NTS	METRIC		
	DRAWN BY: KJKOH DATE: 2013/06/12 CHECKED BY: JESSIECHUA DATE: 2013/07/25 APPROVED BY: SHONG DATE: 2013/08/07	DRAFT WHERE APPLICABLE MUST REMAIN WITHIN DIMENSIONS		MATERIAL NO. 78732-6021 DOCUMENT NO. SD-78732-621		TITLE: 6 CIRCUITS COMPRESSION CONNECTOR	
	REV 1	THIS DRAWING CONTAINS INFORMATION THAT IS PROPRIETARY TO MOLEX INCORPORATED AND SHOULD NOT BE USED WITHOUT WRITTEN PERMISSION		MOLEX INCORPORATED		SHEET NO. 1 OF 1	