

Z-BLOCKER® Z-A431PJ31X Alarm Panel DSL Filter

Description

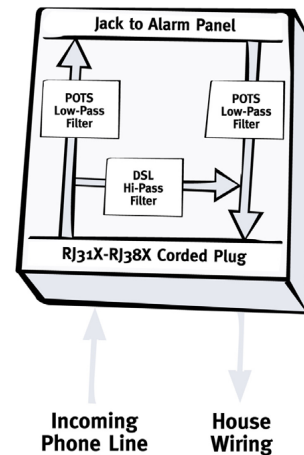
The Z-A431PJ31X is an Alarm Panel DSL Filter designed to allow to co-existence of DSL service in homes where security systems are installed. The Excelsus Alarm Panel DSL Filter isolates high-frequency DSL signals from low-frequency voice and data communication.

Features

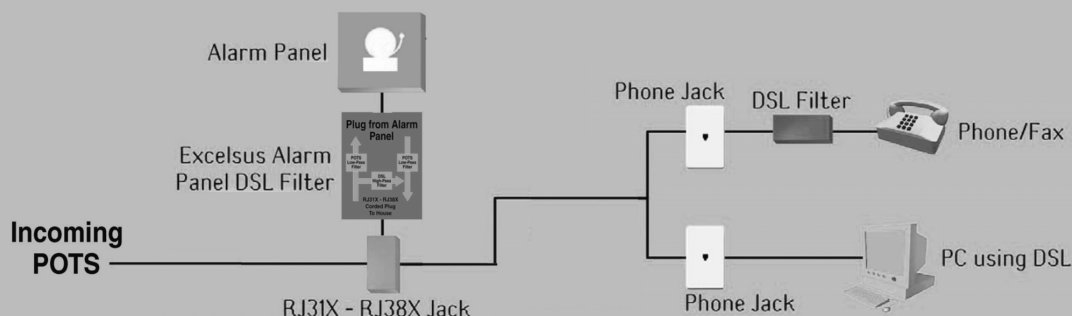
- Designed to be used with GE and Moose Panels
- Allows reliable alarm panel reporting and cut-line protection
- Uninterrupted DSL communication during alarm panel line seizure and incident reporting
- RJ31X-RJ38X connections for line seizure and cut-line protection
- Over-voltage protection, protecting alarm panel from power surges
- Easy installation for service provider personnel — less than 15 minutes to insert filter between alarm panel and phone line and perform a system test
- Compliant and Listed with FCC Part 68, CS-03, UL 60950 and CSA 22.2 60950



Z-BLOCKER® Z-A431PJ31X
Alarm Panel DSL Filter



Block Schematic



Smart Protection for Your Customers - and Your Business To keep DSL from interfering with alarm panel modems - and blocking alarm calls - just plug the panel's RJ plug into the Alarm Panel DSL filter. From then on, our patented technology ensures line seizure and cut-line protection, so alarm calls can go out. Install one on every job - to protect your customers who have DSL now, and to protect your customers who add it later.

Z-BLOCKER® Z-A431PJ31X

Alarm Panel DSL Filter

Z-BLOCKER Z-A431PJ31X Alarm Panel DSL Filter Specifications

| | |
|--|-------------------|
| ADSL Insertion Loss (32 kHz to 1.1 MHz) | |
| 32 kHz to 300 kHz | <8dB |
| 300 kHz to 1.1 MHz | <7dB |
| Insertion Loss (1000 Hz) | |
| Short Loop | <1.0dB |
| Long Loop | <0.75dB |
| Insertion Loss (200 to 3400 Hz) | |
| Short Loop | +3.5dB to -1.5dB |
| Long Loop | +3.5dB to -1.5dB |
| Insertion Loss (3400 to 4000 Hz) | |
| Short Loop | +10.0dB to -2.0dB |
| Long Loop | +10.0dB to -1.5dB |
| DC Resistance in Ohms | |
| At Line port with POTS port shorted, Tip to Ring | <25Ω |
| At POTS port with Line port shorted, Tip to Ring | <25Ω |
| At any port with all other ports open, Tip/Ring to Ground | >5MΩ |
| Longitudinal Balance - Two Port | |
| 200 to 1000 Hz | >58dB |
| At 3000 Hz | >53dB |
| Inter-Modulation Distortion at -9dB level | |
| Voice Band | >57dB |
| ADSL Band | >60dB |
| Envelope Delay (600 to 3200 Hz) | |
| Short Loop | <200μs |
| Long Loop | <200μs |
| Envelope Delay (3200 to 4000 Hz) | |
| Short Loop | <200μs |
| Long Loop | <200μs |
| Return Loss | |
| ERL | >6dB |
| SRL-L | >5dB |
| SRL-H | >3dB |
| SRL-H (2200 to 3400 Hz single frequency) | >2dB |
| Capacitance | |
| Tip to Ring | >20nF |
| Tip to Ring (without modem connected) | <115nF |
| At POTS port, Tip/Ring to ground | <1nF |
| DC Loop Current - Meets specifications between 0 and 100 milliamps DC | |
| Isolates dial pulses and on-hook/off-hook transitions from the digital subscriber line | |
| Length = 60mm, 150mm including cord and plug; Width = 43mm; Height = 22mm | |
| US Pat. No. 6,472,992 and 6,404,347 | |

For More Information:

Americas - prodinfo@networkamericas@pulseelectronics.com | **Europe** - comms@pulseelectronics.com | **Asia** - prodinfo@networkapac@pulseelectronics.com

Performance warranty of products offered on this data sheet is limited to the parameters specified. Data is subject to change without notice. Other brand and product names mentioned herein may be trademarks or registered trademarks of their respective owners. © Copyright, 2019. Pulse Electronics, Inc. All rights reserved.