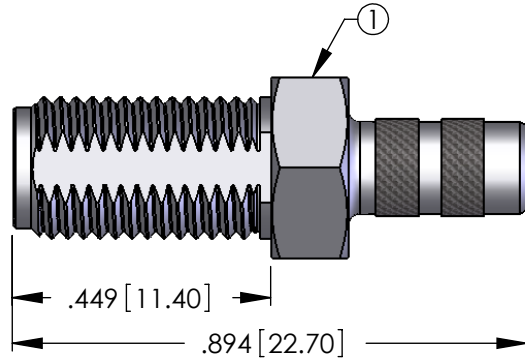
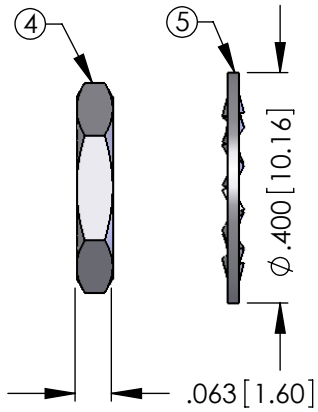
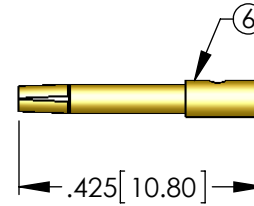


# RSA-3252-C

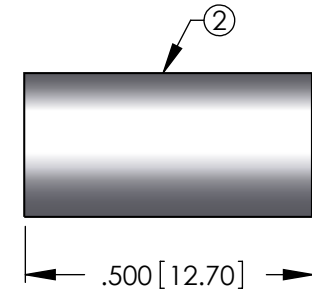
REV	DESCRIPTION	DATE	APPR
-	ENGINEERING RELEASE	03/21/07	JDM



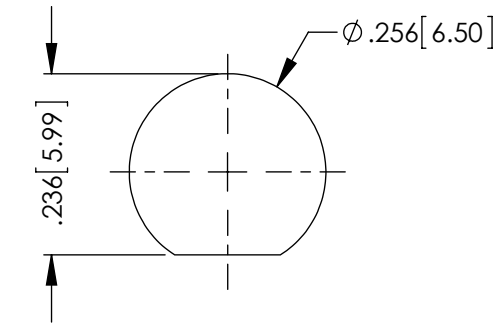
.125 [3.2] MAXIMUM PANEL THICKNESS



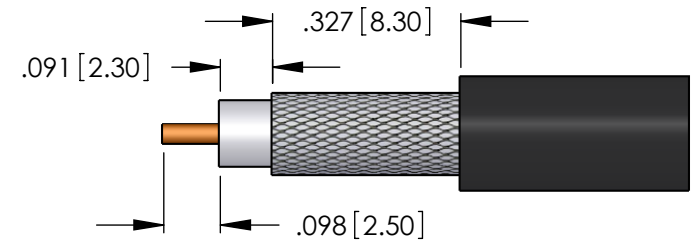
RECOMMENDED SOLDER ONLY



RECOMMENDED CRIMP DIE: .213"



RECOMMENDED MOUNTING PATTERN



RECOMMENDED STRIPPING INSTRUCTIONS

### SPECIFICATIONS:

IMPEDANCE: 50 Ohms

FREQUENCY RANGE: 0-12.4 GHz

VSWR: 1.3 MAX.

WORKING VOLTAGE: 500 V rms Max. @ Sea Level

INSULATION RESISTANCE: 5k M Ohms min.

TEMPERATURE RANGE: -65°C TO 165°C

FOR RG-58, 58A, 58C, 141, 141A, BELDEN 8240, 9907

8259, 8262, 9201, 9203, 9310, 9311 & COMM/SCOPE 0268

ITEM #	PART NUMBER	QTY.	DESCRIPTION	MATERIAL	FINISH
6	008-30F-005-CG	1	SMA CONTACT	BeCu	GOLD
5	018-30X-000-BN	1	LOCK WASHER	Brass	NICKEL
4	015-30F-000-BN	1	HEX NUT	Brass	NICKEL
3	010-30X-011-TX	1	SMA INSULATOR	PTFE	NONE
2	066-CXX-001-BN	1	FERRULE	Brass	NICKEL
1	001-30F-001-BN	1	SMA BODY	Brass	NICKEL

<b>ROHS</b> COMPLIANT	NAME	DATE	<b>RF INDUSTRIES</b> SAN DIEGO, CA., 7610 MIRAMAR RD. 92126 858-549-6340 FAX 858-549-6345	
	DRAWN	C. ZUNIGA		03/21/07
	CHECKED			
UNLESS OTHERWISE SPECIFIED: DIMENSIONS ARE IN INCHES	ENG APPR.		TITLE: <b>SMA JACK, CRIMP BULKHEAD</b>	
ALL DIMENSIONS ARE FOR REFERENCE ONLY	<b>PROPRIETARY AND CONFIDENTIAL</b>		SIZE DWG. NO. REV	
CABLE GROUP C	THE INFORMATION CONTAINED IN THIS DRAWING IS THE SOLE PROPERTY OF RF INDUSTRIES. ANY REPRODUCTION IN PART OR AS A WHOLE WITHOUT THE WRITTEN PERMISSION OF RF INDUSTRIES IS STRICTLY PROHIBITED.		<b>A</b> <b>RSA-3252-C</b> -	
ID 000000			SCALE: NTS	NOTES: