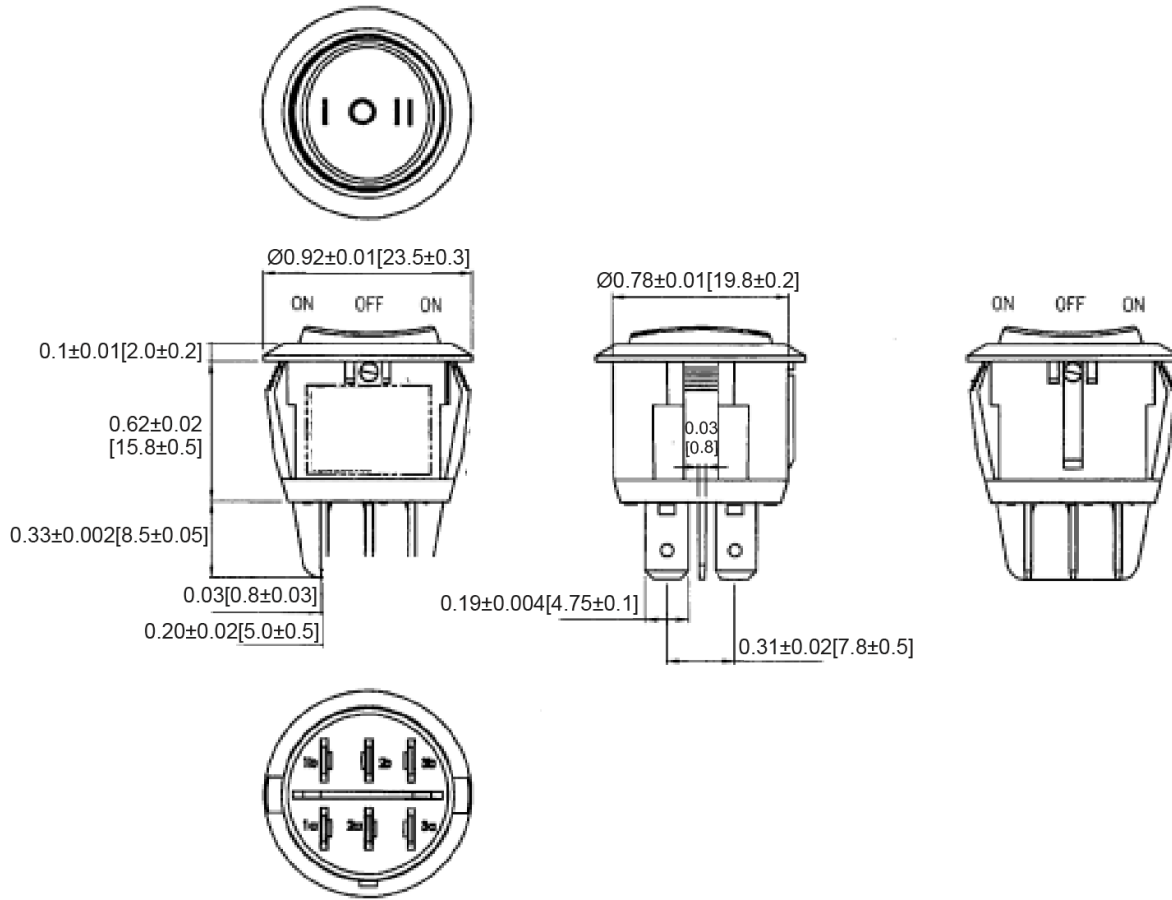
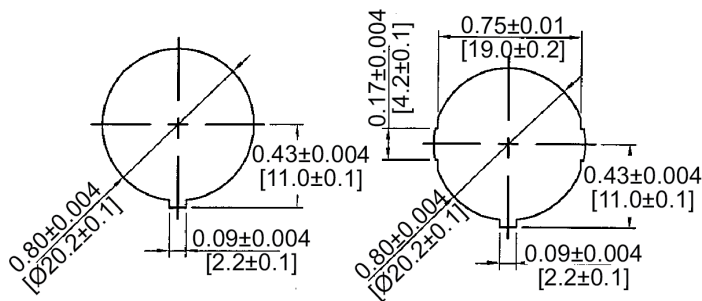


Mechanical Dimensions: Inches [mm]

Tolerances ± 0.012 [0.3] Unless Otherwise Specified

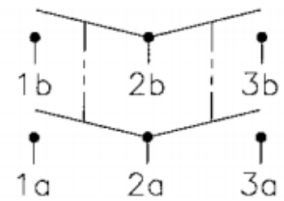


Mounting Hole



Circuit Diagram

6P DPDT ON-OFF-ON



Electrical Specifications

Rating	10A 28V DC	
Contact Resistance	50m ohm Max	
Insulation Resistance	DC 500V 100M ohm Min	
Dielectric Strength	AC 1500V 1 minute	
Operation Temperature	-25°C ~ 85°C	

Material Specifications

Frame	Black, Nylon#66
Actuator	Black, Nylon#66
Terminal	Copper alloy, Silver plated
Printed	White, hot stamping

Rev	Date of issue	Revision Notes	Designed	Approved
B	06-08-2021	Initial Drawing	RC	OF