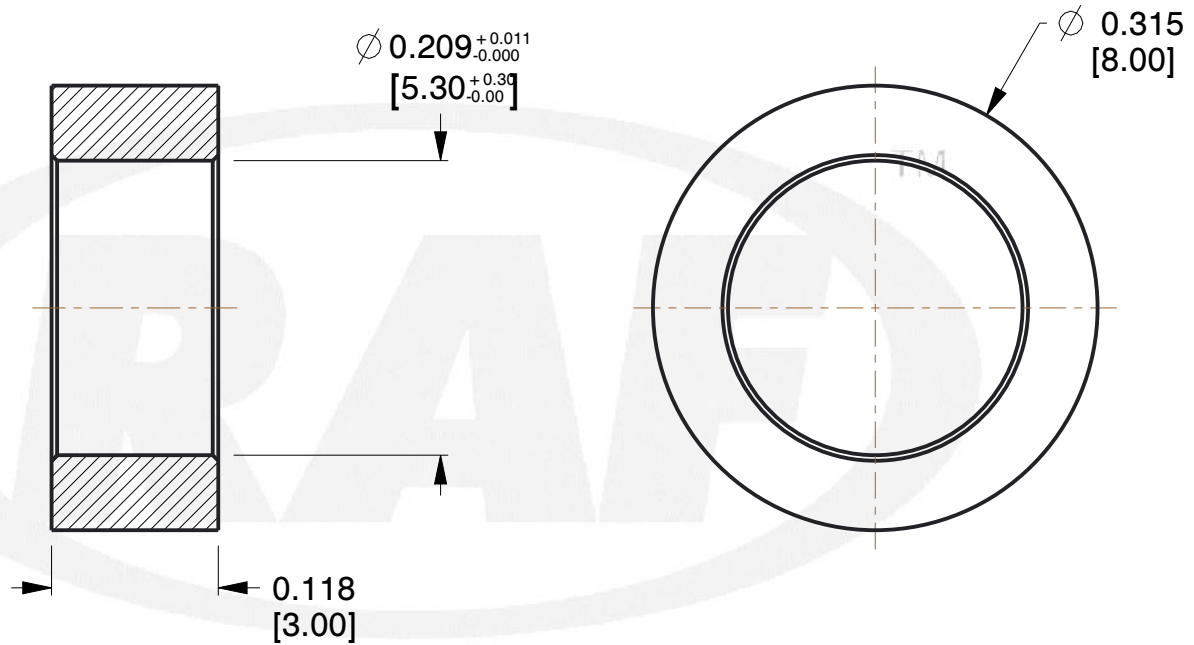



REV	CHANGE	DATE	DRN	CHK
	Drawn	02/06/17	SJ	T



**NOTES:**

1. Material : Aluminum
2. Finish :
3. ASME Y14.5M - 2009
4. All Drawing Dimensions are in Inches [mm]
5. Unless otherwise specified; Edge Breaks, Radii or Countersinks 0.005-0.015

 95 Silvermine Rd., Seymour CT 06483 Tel: 203-888-2133, Fax: 203-888-9860	This Drawing is the Property of RAF. It contains confidential, proprietary information that is RAF property. Do not disclose to or duplicate for others except as authorized by RAF.	<b>TOLERANCES</b> ALL DIMENSIONS ARE INCHES (UNLESS OTHERWISE SPECIFIED) <b>METALLIC</b> LENGTHS <math><f>= 6</math> INCHES $\pm 0.005$ LENGTH > 6 INCHES $\pm 0.010$ DIAMETERS: $\pm 0.005$ <b>NON-METALLIC</b> LENGTH: $\pm 0.010$ DIAMETERS: $\pm 0.010$ <b>INTERNAL THREADS:</b> MINIMUM THREAD DEPTH	COMPONENT	SPACERS	
			<b>M0592-5-AL</b>		<b>SCALE</b>
			8MM ROUND SPACERS		7.35
					<b>SHEET</b>
			1 of 1		