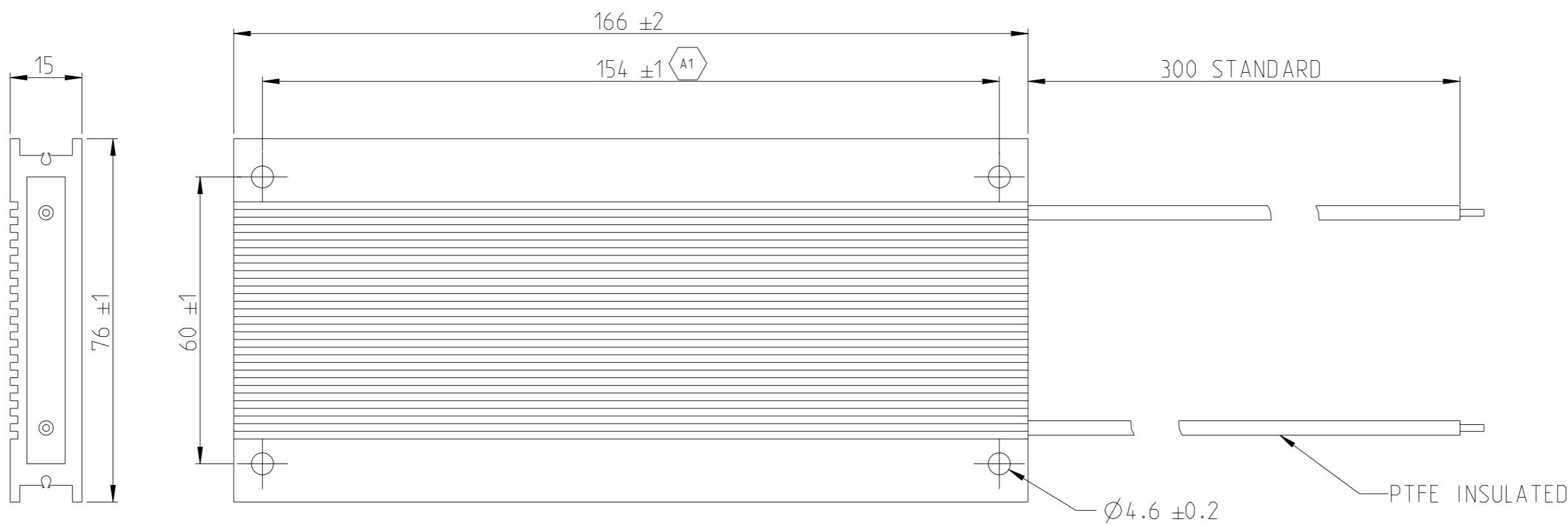
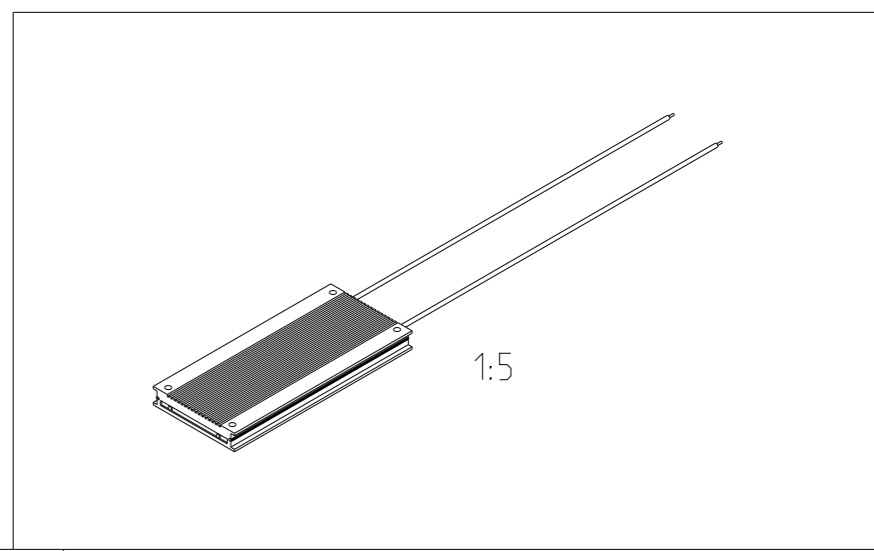



P	LTR	DESCRIPTION	DATE	DWN	APVD
	A	INITIAL RELEASE	04MAR2020	SR	AP
	A1	MOUNTING HOLE PITCH TOLERANCE CHANGE	21SEP2022	DM	AP



NOTE 1: FOR FURTHER INFORMATION PLEASE SEE DATASHEET FOR ALUMINIUM HOUSED BRAKING RESISTOR - TYPE HCF SERIES


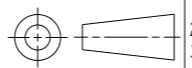


THIS DRAWING IS A CONTROLLED DOCUMENT.		DWN	04MAR2020	 TE Connectivity	
		CHK	04MAR2020		
		APVD	04MAR2020		
		PRODUCT SPEC	A. PILE		
		APPLICATION SPEC	-	NAME	
		WEIGHT	-	ALUMINIUM HOUSED BRAKING RESISTOR -TYPE HCF166	
		CUSTOMER DRAWING		SIZE	RESTRICTED TO
				A3	-
				CAGE CODE	DRAWING NO
				00779	C=2176444
				SCALE	SHEET
				1:1	1 OF 2
				REV	A1

REVISIONS

P	LTR	DESCRIPTION	DATE	DWN	APVD
-		SEE SHEET 1	-	-	-

SCHEDULE			
TCPN	CATALOGUE NUMBER	PART DESCRIPTION	PART STATUS
2176444-1	HCF166J10RJ	HCF166 160W 10R 5% LEAD	PRODUCTION
2176444-2	HCF166J22RJ	HCF166 160W 22R 5% LEAD	PRODUCTION
2176444-3	HCF166J33RJ	HCF166 160W 33R 5% LEAD	PRODUCTION
2176444-4	HCF166J47RJ	HCF166 160W 47R 5% LEAD	PRODUCTION
2176444-5	HCF166J68RJ	HCF166 160W 68R 5% LEAD	PRODUCTION
2176444-6	HCF166J100RJ	HCF166 160W 100R 5% LEAD	PRODUCTION
2176444-7	HCF166J150RJ	HCF166 160W 150R 5% LEAD	PRODUCTION
2176444-8	HCF166J220RJ	HCF166 160W 220R 5% LEAD	PRODUCTION
2176444-9	HCF166J330RJ	HCF166 160W 330R 5% LEAD	PRODUCTION
1-2176444-0	HCF166J470RJ	HCF166 160W 470R 5% LEAD	PRODUCTION
1-2176444-1	HCF166J680RJ	HCF166 160W 680R 5% LEAD	PRODUCTION
1-2176444-2	HCF166J1K0J	HCF166 160W 1K0 5% LEAD	PRODUCTION

THIS DRAWING IS A CONTROLLED DOCUMENT.		DWN SUPREETH R	04MAR2020	 TE Connectivity	
DIMENSIONS: mm		CHK A. PILE	04MAR2020		
TOLERANCES UNLESS OTHERWISE SPECIFIED:		APVD A. PILE	04MAR2020		
		PRODUCT SPEC	-		
MATERIAL		FINISH	-	NAME ALUMINIUM HOUSED BRAKING RESISTOR -TYPE HCF166	
-		-	-	APPLICATION SPEC	-
-		-	-	WEIGHT	-
		CUSTOMER DRAWING		SIZE	A3
				CAGE CODE	00779
				DRAWING NO	©=2176444
				RESTRICTED TO	-
				SCALE	1:1
				SHEET	2 OF 2
				REV	A1