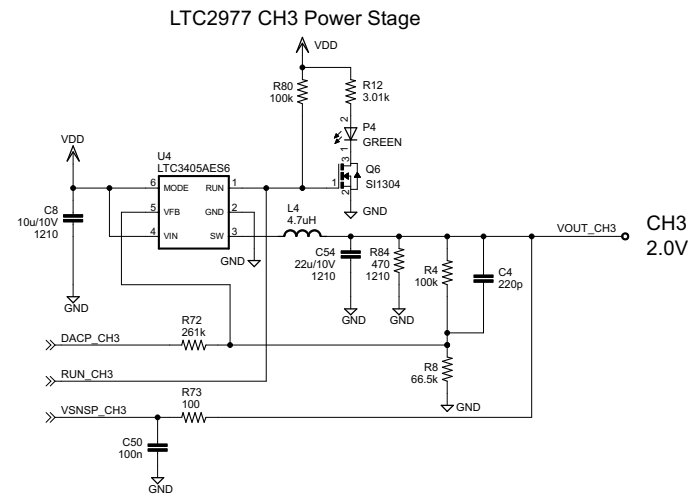
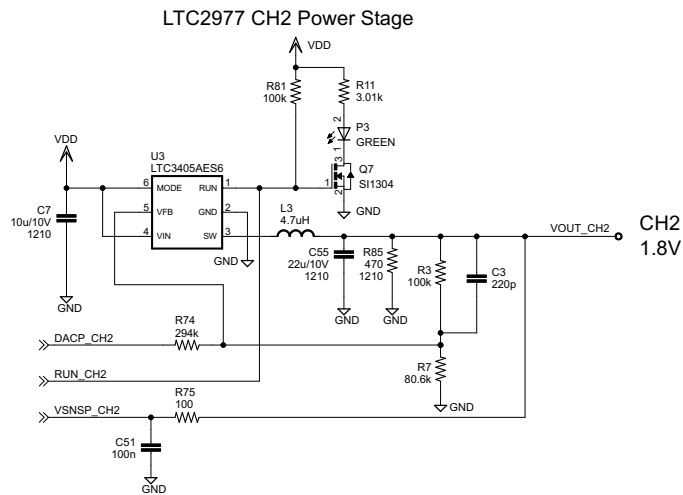
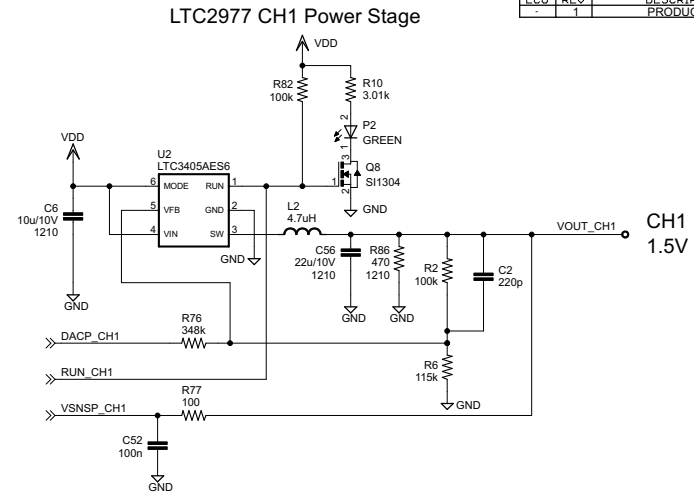
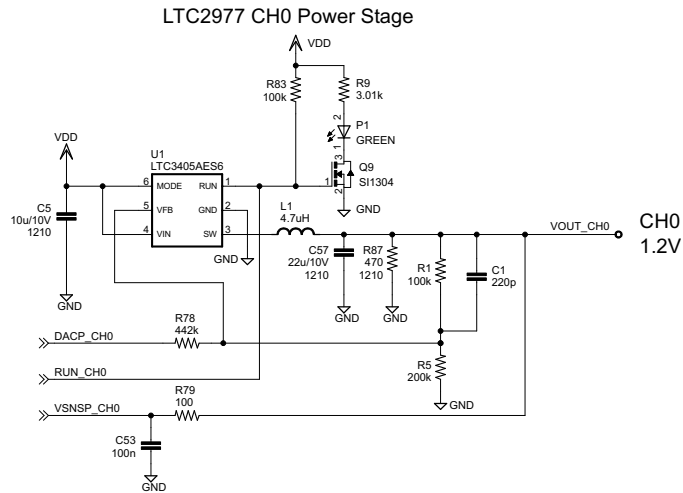


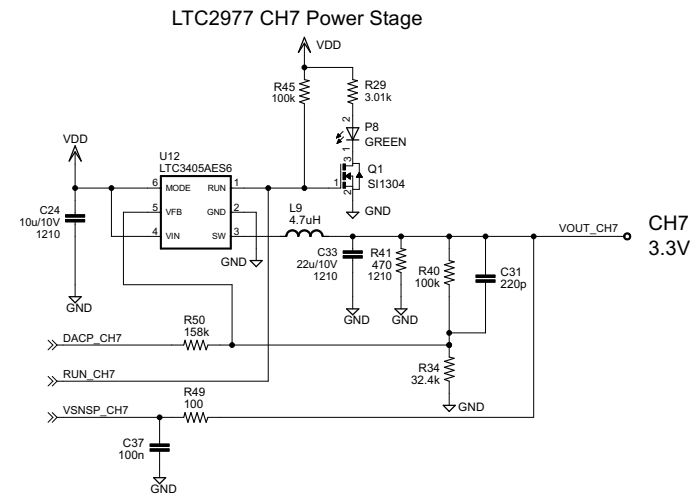
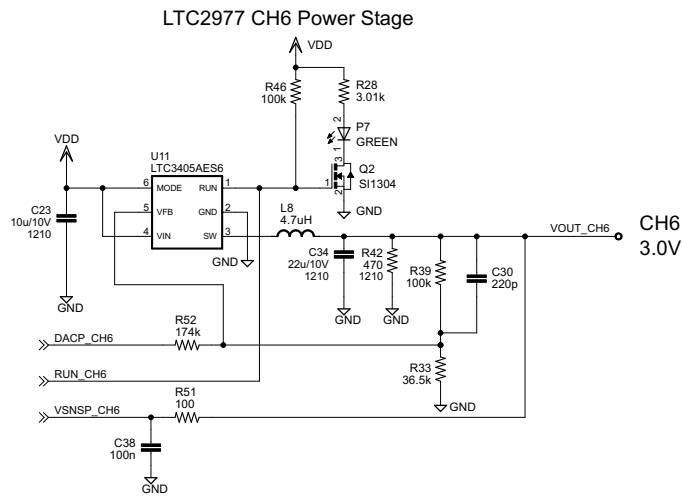
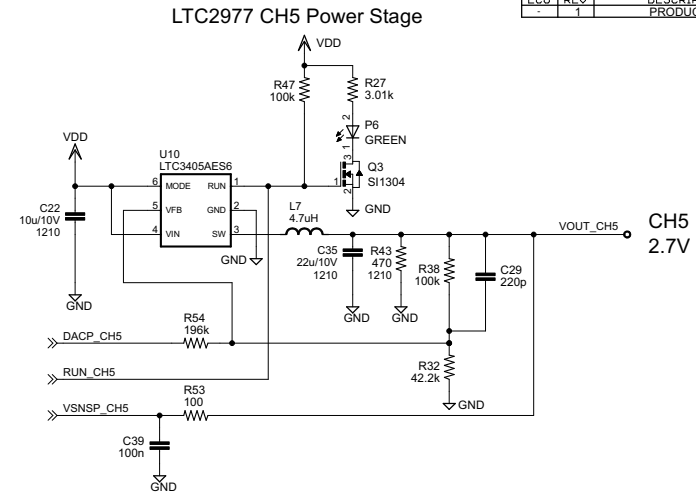
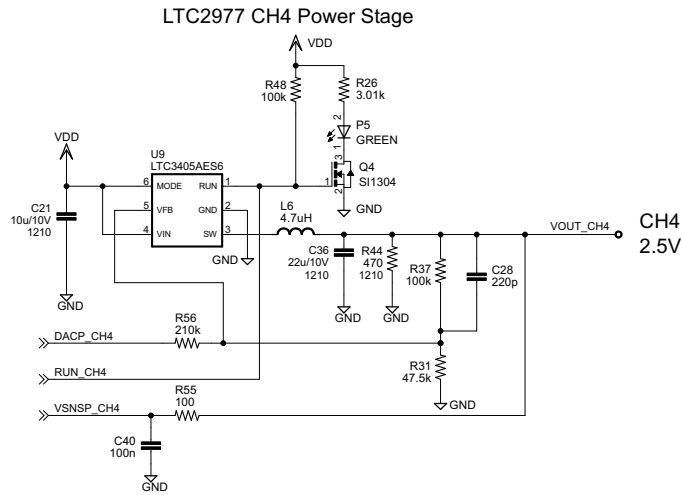
REVISION HISTORY				
ECO	REV	DESCRIPTION	APPROVED	DATE
-	1	PRODUCTION	MIKE P.	06-18-13




- NOTES: UNLESS OTHERWISE SPECIFIED:
1. ALL RESISTORS ARE 1% 0603.
  2. ALL CAPACITORS ARE 16V 0603.
  3. THE INTERMEDIATE BUS IS VDD=5.0V

CUSTOMER NOTICE		APPROVALS		 <small>1538 McCarthy Blvd. Milpitas, CA 95035 Phone: (408) 432-1980 Fax: (408) 434-9957 www.linear.com</small>	<small>LTC CONFIDENTIAL FOR CUSTOMER USE ONLY</small>
<small>LINEAR TECHNOLOGY HAS MADE A BEST EFFORT TO DESIGN A CIRCUIT THAT MEETS CUSTOMER-SUPPLIED SPECIFICATIONS; HOWEVER, IT REMAINS THE CUSTOMER'S RESPONSIBILITY TO VERIFY PROPER AND RELIABLE OPERATION IN THE ACTUAL APPLICATION. COMPONENT SUBSTITUTION AND PRINTED CIRCUIT BOARD LAYOUT MAY SIGNIFICANTLY AFFECT CIRCUIT PERFORMANCE OR RELIABILITY. CONTACT LINEAR TECHNOLOGY APPLICATIONS ENGINEERING FOR ASSISTANCE.</small>		PCB DES.	R. S.		
<small>THIS CIRCUIT IS PROPRIETARY TO LINEAR TECHNOLOGY AND SUPPLIED FOR USE WITH LINEAR TECHNOLOGY PARTS</small>		APP ENG.	MIKE P.	<b>SIZE</b> B <b>IC NO.</b> LTC2977 <b>DEMO CIRCUIT 2028A</b>	<b>SHEET:</b> 1/4
		SCALE = NONE		DATE: not saved!	

REVISION HISTORY				
ECO	REV	DESCRIPTION	APPROVED	DATE
-	1	PRODUCTION	MIKE P.	06-18-13

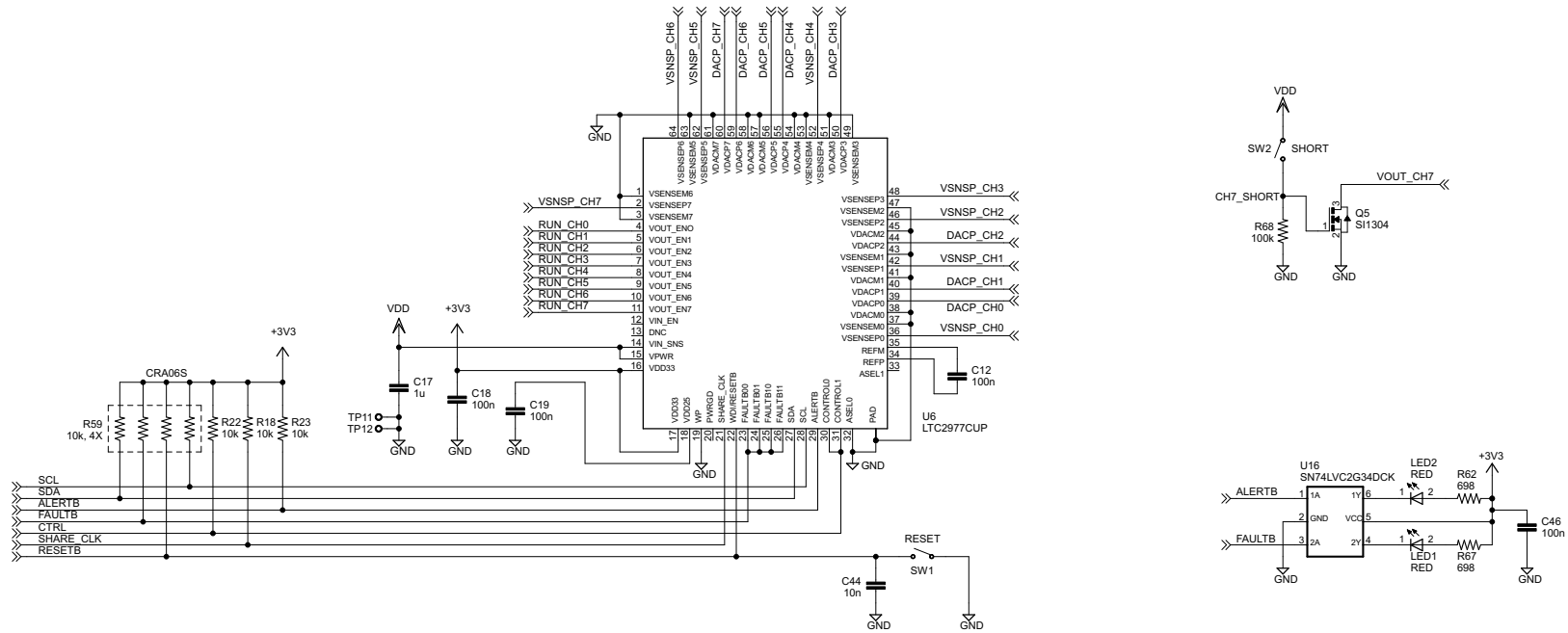


- NOTES: UNLESS OTHERWISE SPECIFIED:
1. ALL RESISTORS ARE 1% 0603.
  2. ALL CAPACITORS ARE 16V 0603.
  3. THE INTERMEDIATE BUS IS VDD=5.0V

CUSTOMER NOTICE		APPROVALS		 <small>1538 McCarthy Blvd. Folsom, CA 95630 Phone (408) 432-1980 Fax (408) 434-9557 www.linear.com</small>	<small>LTC CONFIDENTIAL FOR CUSTOMER USE ONLY</small>	
<small>LINEAR TECHNOLOGY HAS MADE A BEST EFFORT TO DESIGN A CIRCUIT THAT MEETS CUSTOMER-SUPPLIED SPECIFICATIONS; HOWEVER, IT REMAINS THE CUSTOMER'S RESPONSIBILITY TO VERIFY PROPER AND RELIABLE OPERATION IN THE ACTUAL APPLICATION. COMPONENT SUBSTITUTION AND PRINTED CIRCUIT BOARD LAYOUT MAY SIGNIFICANTLY AFFECT CIRCUIT PERFORMANCE OR RELIABILITY. CONTACT LINEAR TECHNOLOGY APPLICATIONS ENGINEERING FOR ASSISTANCE.</small>		PCB DES.	R. S.			TITLE: LTC2977CUP 8-CHANNEL POWER SYSTEM MANAGER
<small>THIS CIRCUIT IS PROPRIETARY TO LINEAR TECHNOLOGY AND SUPPLIED FOR USE WITH LINEAR TECHNOLOGY PARTS</small>		APP ENG.	MIKE P.	SCALE = NONE	DATE: not saved!	


REVISION HISTORY				
ECO	REV	DESCRIPTION	APPROVED	DATE
-	1	PRODUCTION	MIKE P.	06-18-13

LTC2977  
8-CHANNEL POWER SYSTEM MANAGER  
FEATURING ACCURATE OUTPUT VOLTAGE MEASUREMENT

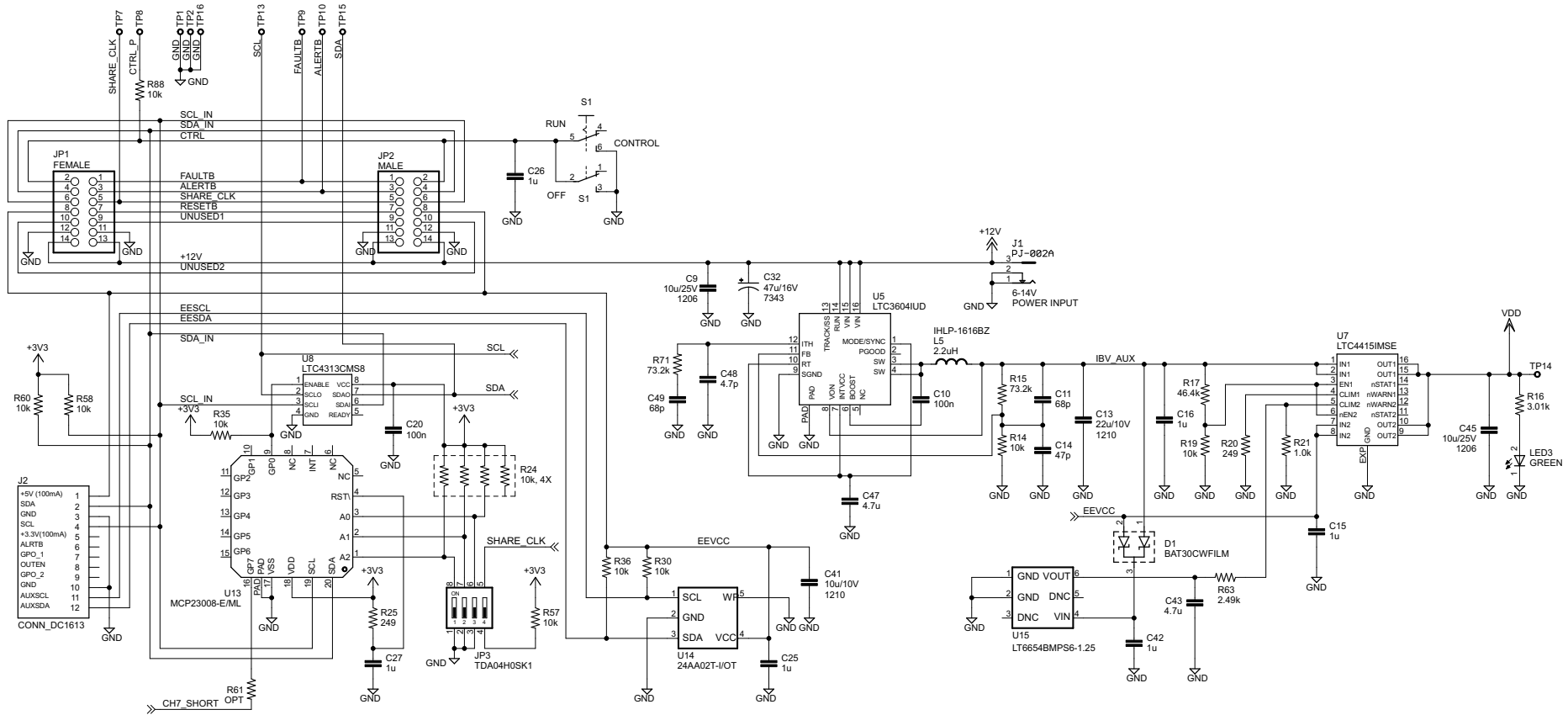


NOTES: UNLESS OTHERWISE SPECIFIED:

1. ALL RESISTORS ARE 1% 0603.
2. ALL CAPACITORS ARE 16V 0603.
3. THE INTERMEDIATE BUS IS VDD=5.0V

APPROVALS		 <small>1530 McCarthy Blvd. Milpitas, CA 95035 Phone (408) 432-1900 Fax (408) 434-9977 www.linear.com</small>	<small>LTC CONFIDENTIAL FOR CUSTOMER USE ONLY</small>
PCB DES.	R. S.		
APP ENG.	MIKE P.	<b>TITLE: LTC2977CUP 8-CHANNEL POWER SYSTEM MANAGER</b>	
SIZE	B	<b>IC NO. LTC2977</b> <b>DEMO CIRCUIT 2028A</b>	<b>REV: 1</b>
<small>THIS CIRCUIT IS PROPRIETARY TO LINEAR TECHNOLOGY AND SUPPLIED FOR USE WITH LINEAR TECHNOLOGY PARTS</small>		<small>SCALE = NONE</small>	<small>DATE: not saved!</small>
			<b>SHEET: 3/4</b>

REVISION HISTORY			
ECO	REV	DESCRIPTION	DATE
-	1	PRODUCTION	06-18-13



- NOTES: UNLESS OTHERWISE SPECIFIED:
1. ALL RESISTORS ARE 1% 0603.
  2. ALL CAPACITORS ARE 16V 0603.
  3. THE INTERMEDIATE BUS IS VDD=5.0V

CUSTOMER NOTICE		APPROVALS		 1538 McCarthy Blvd. Milpitas, CA 95035 Phone (408) 432-1980 Fax (408) 434-9887 www.linear.com	LTC CONFIDENTIAL FOR CUSTOMER USE ONLY
LINEAR TECHNOLOGY HAS MADE A BEST EFFORT TO DESIGN A CIRCUIT THAT MEETS CUSTOMER-SUPPLIED SPECIFICATIONS; HOWEVER, IT REMAINS THE CUSTOMER'S RESPONSIBILITY TO VERIFY PROPER AND RELIABLE OPERATION IN THE ACTUAL APPLICATION. COMPONENT SUBSTITUTION AND PRINTED CIRCUIT BOARD LAYOUT MAY SIGNIFICANTLY AFFECT CIRCUIT PERFORMANCE OR RELIABILITY. CONTACT LINEAR TECHNOLOGY APPLICATIONS ENGINEERING FOR ASSISTANCE. THIS CIRCUIT IS PROPRIETARY TO LINEAR TECHNOLOGY AND SUPPLIED FOR USE WITH LINEAR TECHNOLOGY PARTS.		PCB DES.	R. S.		
		APP ENG.	MIKE P.	SCALE = NONE	SHEET: 4/4