

CGA8L4X7R2J683K160KA

TDK Item Description : CGA8L4X7R2J683KT***



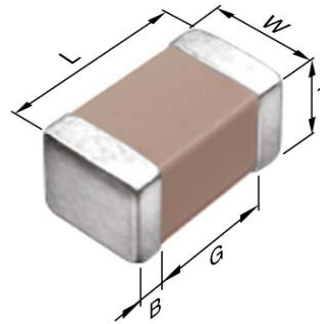
Equivalent C4532X7R2J683K for Automotive

Application & Main Feature

Automotive Grade (Mid Voltage (100 to 630V))

Series

CGA8(4532) [EIA CC1812]



Dimensions

- L 4.50mm +/-0.4mm
- W 3.20mm +/-0.4mm
- T 1.60mm +/-0.2mm
- B 0.20mm Min.
- G

Temperature Characteristic

X7R (-55 to 125 degC +/-15%)

Rated Voltage

2J (630Vdc)

Capacitance

68nF

Capacitance Tolerance

K (+/-10%)

Dissipation Factor

3% Max.

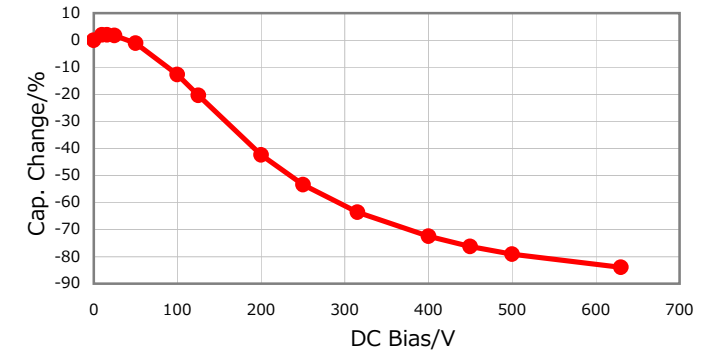
Insulation Resistance

7.35Gohm Min.

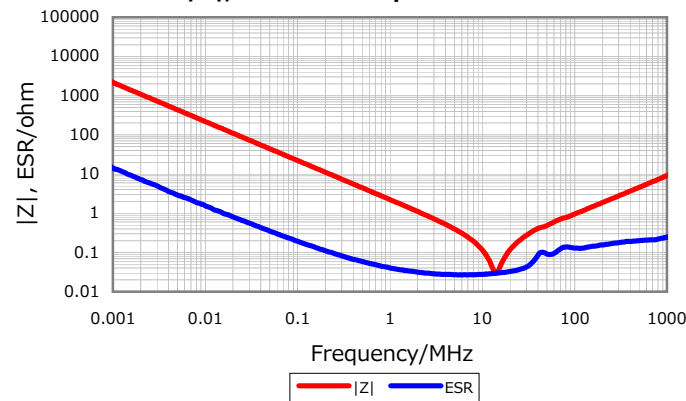
AEC-Q200

Yes

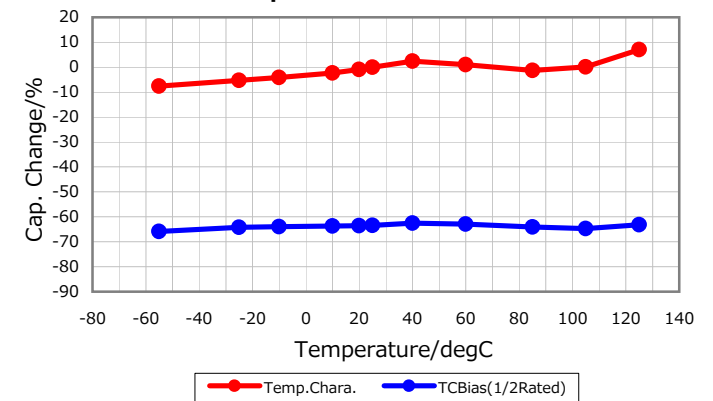
DC Bias Characteristic



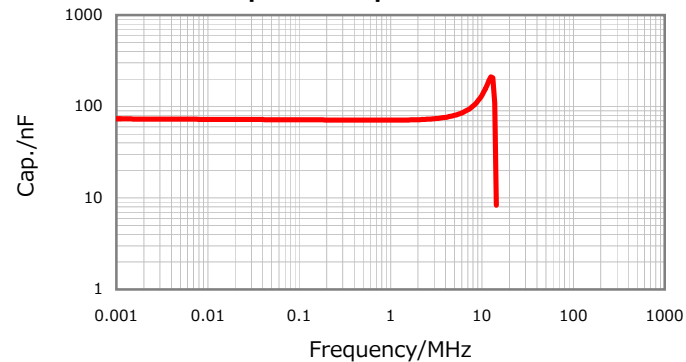
|Z|, ESR vs. Freq. Characteristics



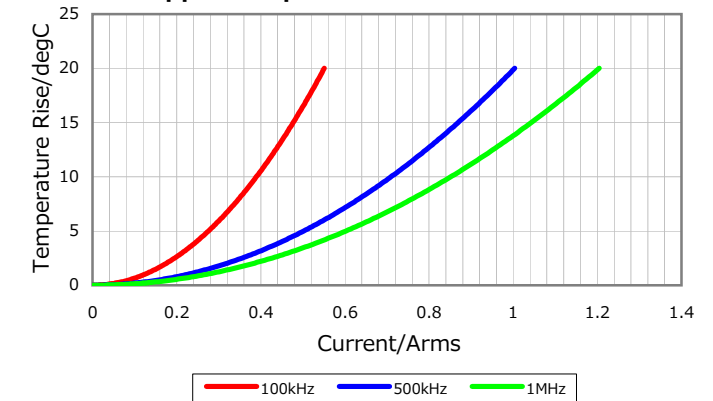
Temperature Characteristics



Cap. vs. Freq. Characteristic



Ripple Temperature Rise Characteristics



Characterization Sheet (Multilayer Ceramic Chip Capacitors)



All specifications are subject to change without notice.

January 4, 2016