

# C2012C0G1V303K060AC

TDK Item Description : C2012C0G1V303KT\*\*\*\*

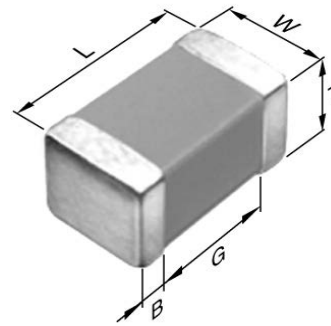


## Application & Main Feature

Commercial Grade ( General (Up to 50V) )

## Series

C2012 [EIA 0805]



## Dimensions

|   |                  |
|---|------------------|
| L | 2.00mm +/-0.2mm  |
| W | 1.25mm +/-0.2mm  |
| T | 0.60mm +/-0.15mm |
| B | 0.20mm Min.      |
| G | 0.50mm Min.      |

## Temperature Characteristic

C0G (-55 to 125 degC 0+/-30ppm/degC)

## Rated Voltage

1V (35Vdc)

## Capacitance

30nF

## Capacitance Tolerance

K (+/-10%)

## Q Factor

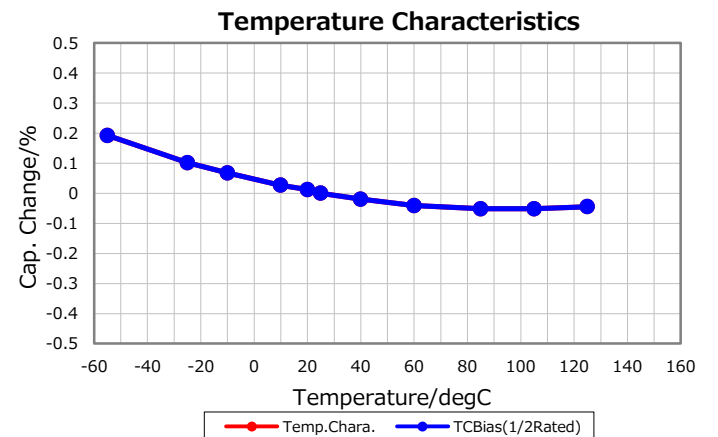
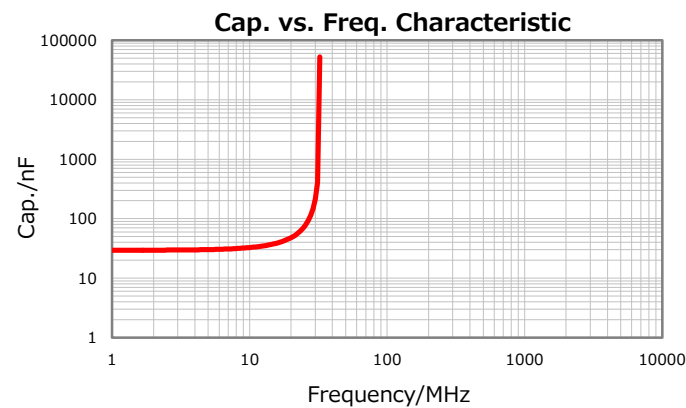
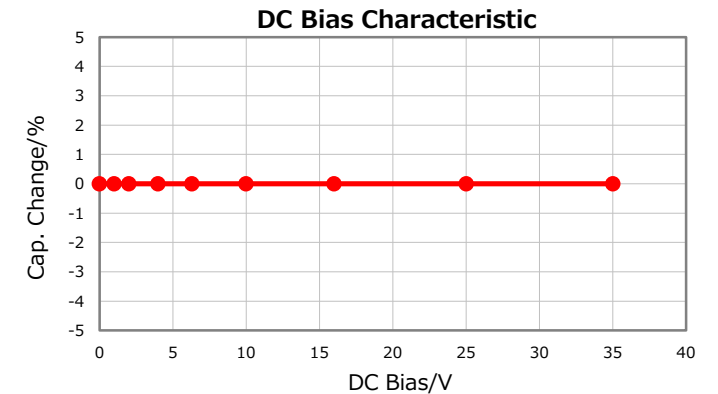
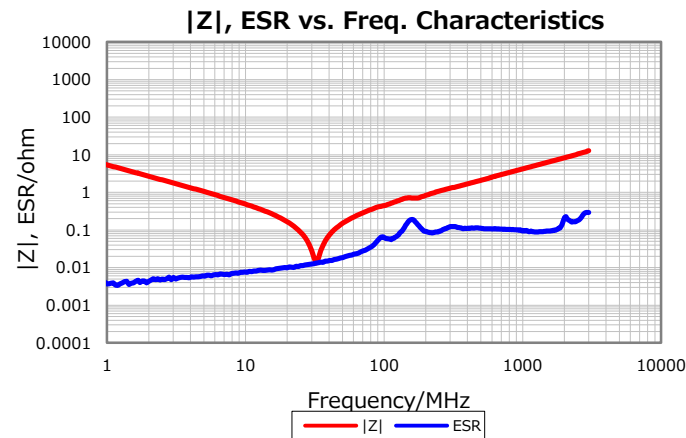
1000 Min.

## Insulation Resistance

10Gohm Min

## AEC-Q200

Not Applicable



Characterization Sheet ( Multilayer Ceramic Chip Capacitors )



All specifications are subject to change without notice.

July 6, 2016