



LAYOUT SHOWN AS EXAMPLE

Keying Shown as example

CHARACTERISTICS

- Standard : Based on MIL-DTL-38999 Series III
- Shell Material : Composite
- Shell Plating : Olive drab Cadmium
- Insulator : Thermoplastic
- Contacts : Copper Alloy
- Seals & Grommet : Silicon Elastomer
- Contact Plating : Gold over copper Alloy 0.8µm minimum
- Durability : 500 Mating cycles
- Delivered with Souriau contacts and Accessories
- Temperature Range : -65°C to +175°C
- Salt Spray : 2000 hours
- Mass : 30.1 g ± 10%

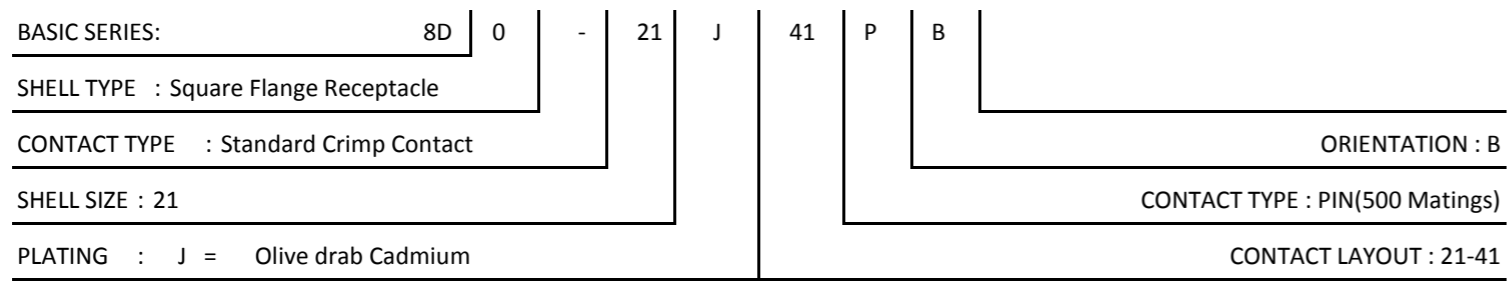
| Connector dimension | |
|---------------------|-------------|
| Dim | Nominal |
| P | 3.25±0.2 |
| PP | 4.93±0.2 |
| R1 | 31.75 |
| R2 | 29.36 |
| S | 39.7±0.3 |
| V' | 18.7+1.4/-0 |
| W' | 2.1/4.35 |
| Z' | 32 Max |
| VV THREAD | M31x1-6g |

SOURIAU shall not be liable for any non-conformity or damage due to a use of the Products which does not comply with the Specifications issued by either of the Parties or by a third party (professional recommendation, technical notice.)

| Country | Jurisdiction & Control List |
|---------|-----------------------------|
| FR | Not Listed |

PN: 8D021J41PB

| | | | |
|----------------|---------------------------------------|--------------------------------|---|
| A | 02-11-2016 | First Release | |
| ISS | DATE | Latest modification - by | MOD N° |
| Designed By: | | Date: | CUSTOMER DRAWING |
| TITLE | Composite Receptacle 8D series | | |
| SCALE | | General linear Tolerances: ±-- | NPRDS / PROJECT 859 |
| NA | | | This document is the property of SOURIAU it must not be reproduced or communicated without permission |
| SOURIAU | WWW.SOURIAU.COM | | |
| FORMAT | SOURIAU DRG N° 8D021J41PB-C | | SHEET 1/2 |

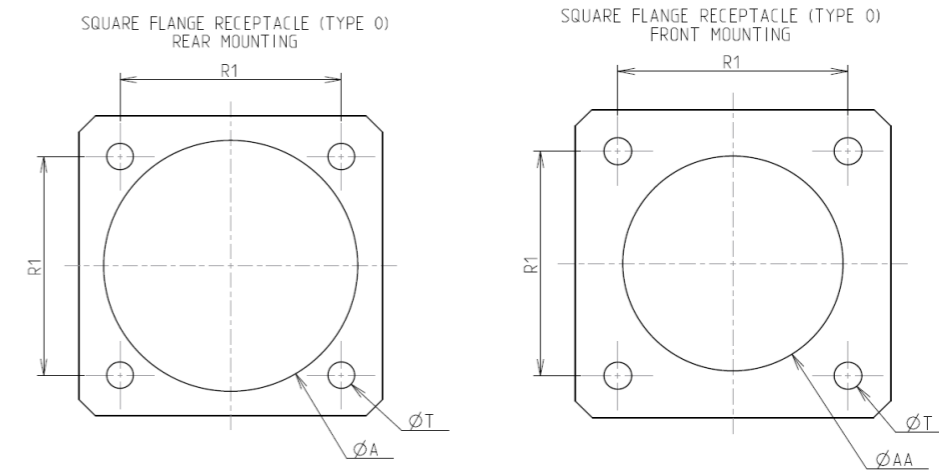


Contact Layout



| Insert arrangement 21-41 | | | | | | |
|--------------------------|-----------------|--------------------|---------------|----------------|------------------|------------|
| Shell size | Arrangement no. | Number of contacts | Size contacts | Service rating | Contact location | Supersedes |
| 21 | -41 | 41 | 20 | I | All | MS20055-41 |

Panel Cutout



| Dim | Nominal |
|-----|------------|
| ØA | 36.12 min |
| ØAA | 32.16 min |
| R1 | 31.75 |
| ØT | 3.25 ±0.13 |

SOURIAU shall not be liable for any non-conformity or damage due to a use of the Products which does not comply with the Specifications issued by either of the Parties or by a third party (professional recommendation, technical notice.)

| Country | Jurisdiction & Control List |
|---------|-----------------------------|
| FR | Not Listed |

PN: 8D021J41PB

| | | | |
|----------------|---------------------------------------|----------------------------|---|
| A | 02-11-2016 | First Release | |
| ISS | DATE | Latest modification - by | MOD N° |
| Designed By: | | Date: | CUSTOMER DRAWING |
| TITLE | Composite Receptacle 8D series | | |
| SCALE | | General linear Tolerances: | NPRDS / PROJECT |
| NA | | ±-- | 859 |
| SOURIAU | WWW.SOURIAU.COM | | This document is the property of SOURIAU it must not be reproduced or communicated without permission |
| FORMAT | SOURIAU DRG N° 8D021J41PB-C | | SHEET 2/2 |