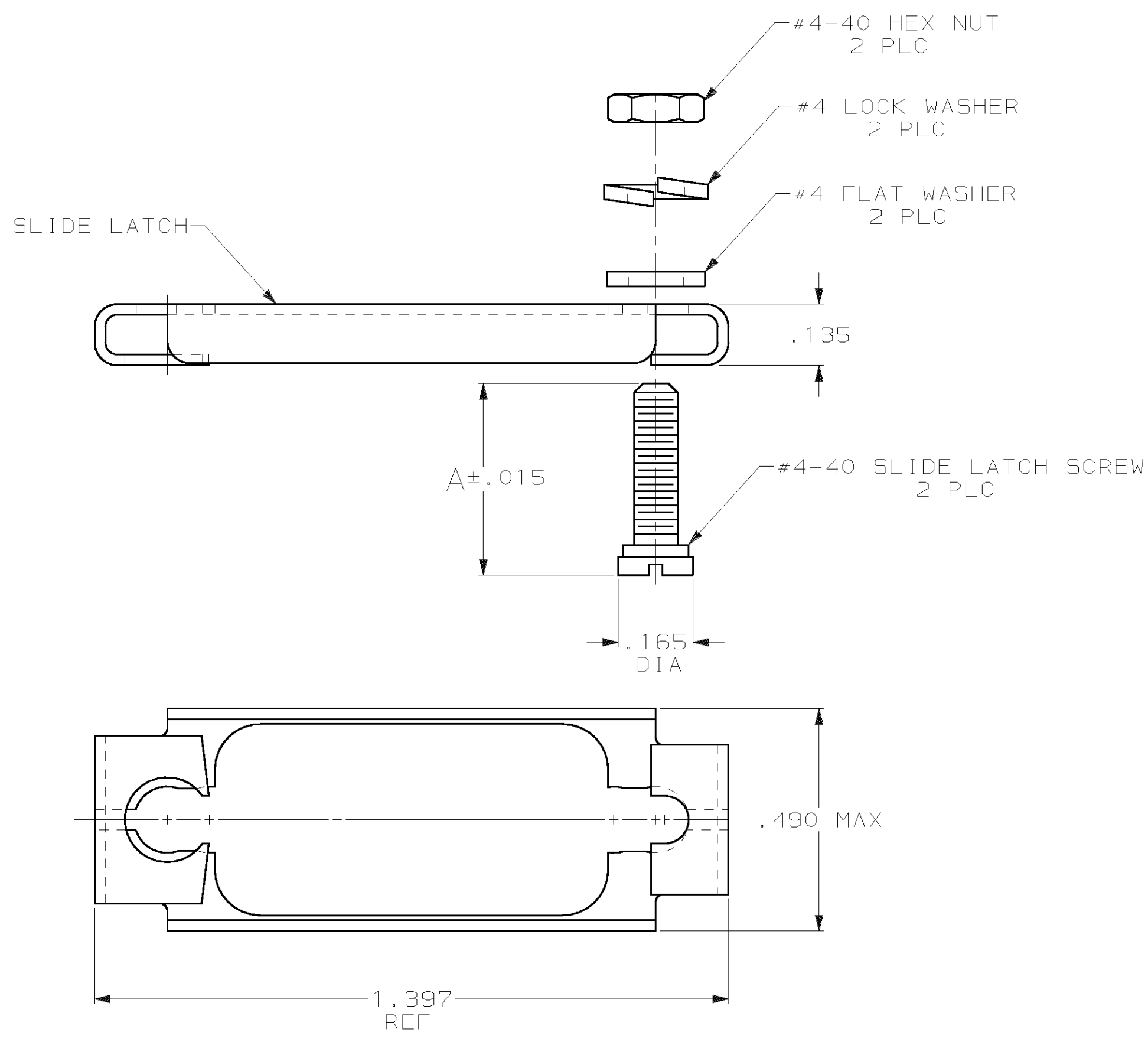


LOC	DIST	P	F	REVISIONS		DATE	APPD
GP	00			ZONE	LTR	DESCRIPTION	
				B		REV PER OUID-0274-00	22 OCT 01 JR



- 1. PARTS PACKAGED UNASSEMBLED.
- 2. PARTS PACKAGED AS A UNIT KIT.
- 3. PARTS INDIVIDUALLY BULK PACKAGED & SHIPPED AS A UNIT PACKAGE.
- 4. THIS KIT CAN BE USED WITH CABLE CLAMP BODIES THAT DO NOT EXTEND BEYOND THE FRONT FLANGE OF THE CONNECTOR OR ON CONNECTORS WITHOUT CABLE CLAMPS.

DO NOT SCALE PRINT. UNLESS SPECIFIED DIMENSIONS IN INCHES TOLERANCES ON :		DR -			
2 PLC DEC ± -		CHK -			
3 PLC DEC ± .005		APPD -			
ANGLES ± -		APPD -			
MATERIAL		PRODUCT SPEC			
SLIDE LATCH: STAINLESS STEEL		APPLICATION SPEC			
HARDWARE: STEEL PER ASTM A108		WEIGHT -			
FINISH					
HARDWARE: ZINC PLATED PER ASTM B633, TYPE II, CLASS SC1, YELLOW CHROMATE					
		AMP		AMP INCORPORATED Harrisburg, Pa. 17105	
		KIT, SLIDE LATCH, SIZE 1, 9 POSITION, AMPLIMITE ®			
SIZE	FSCM NO	DRAWING NO			
C	00779	745404			
SCALE	4:1	SHEET		1 OF 1	