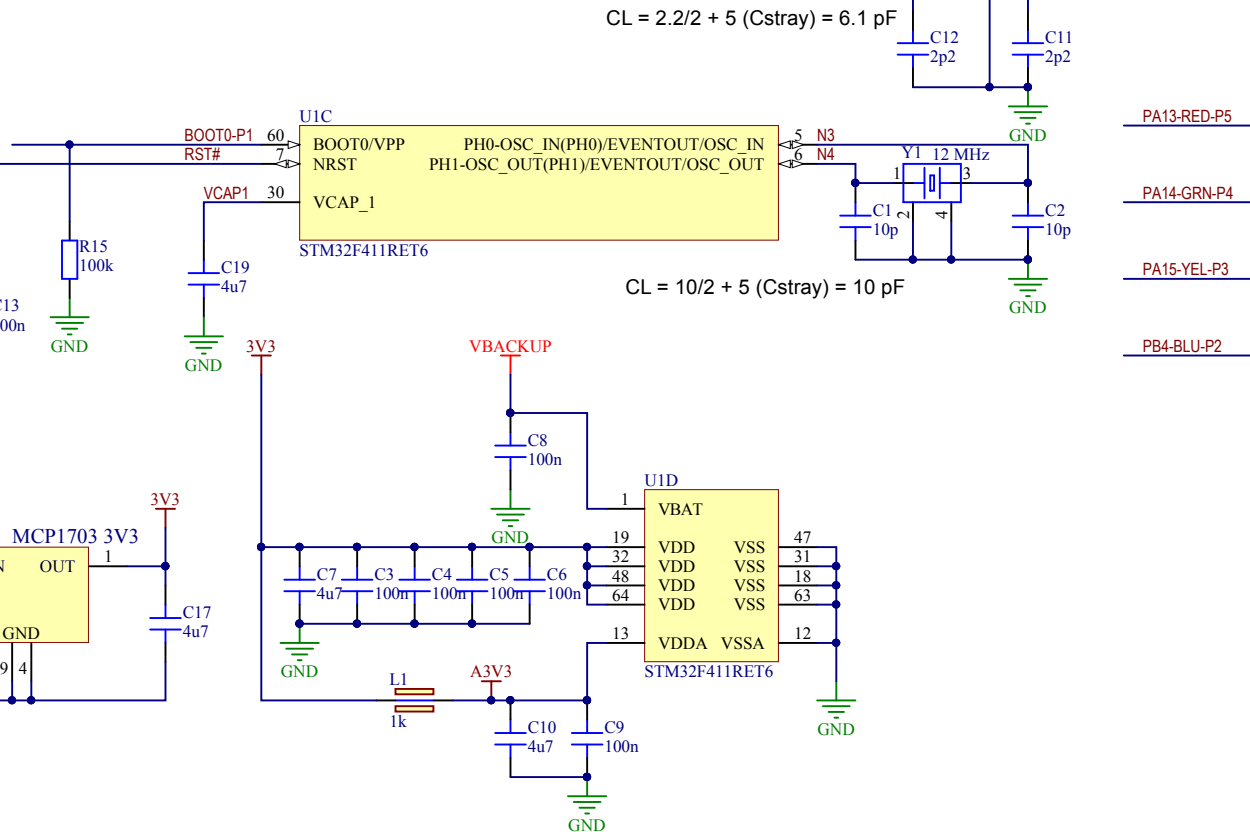
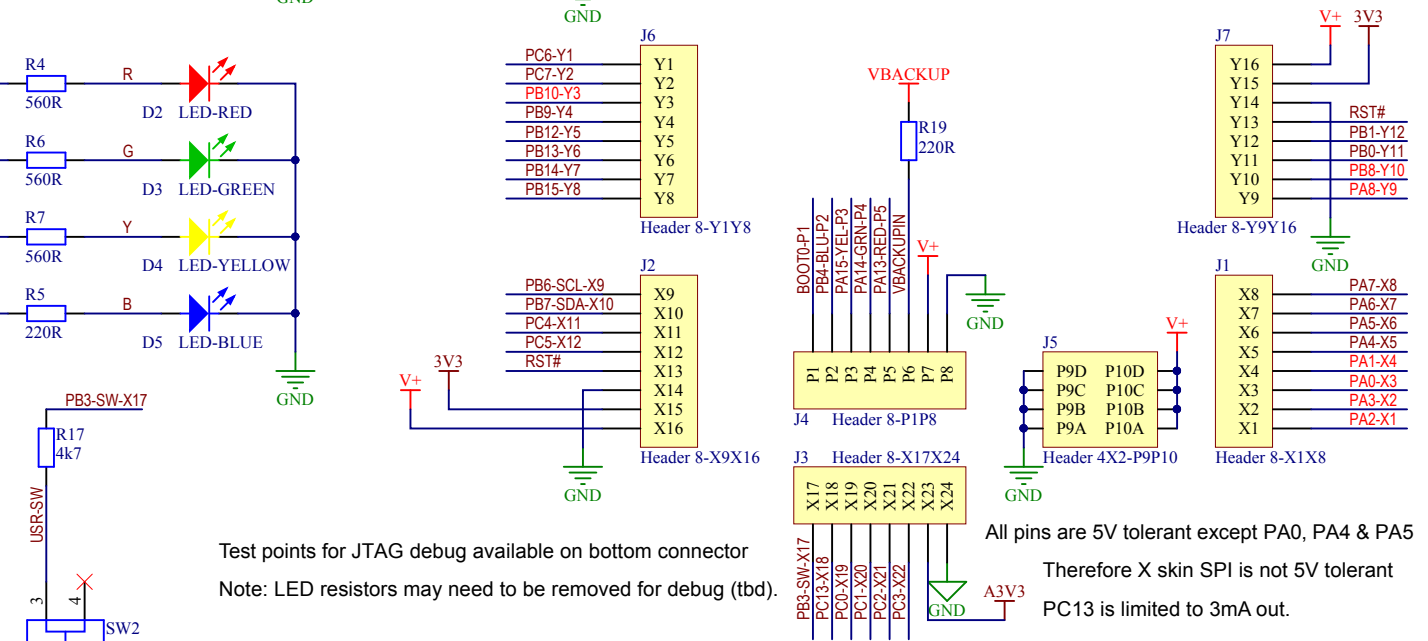
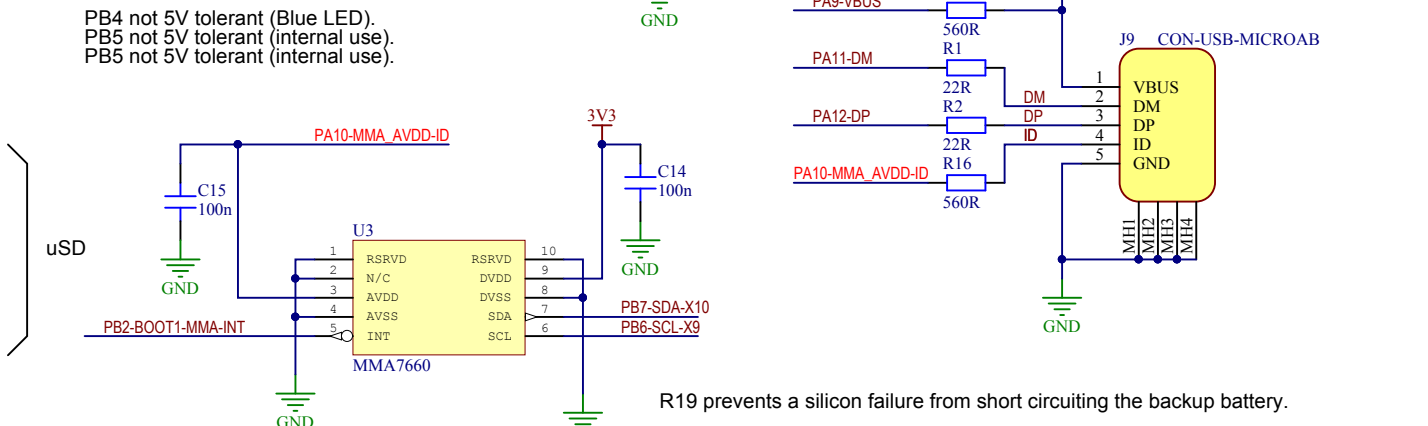
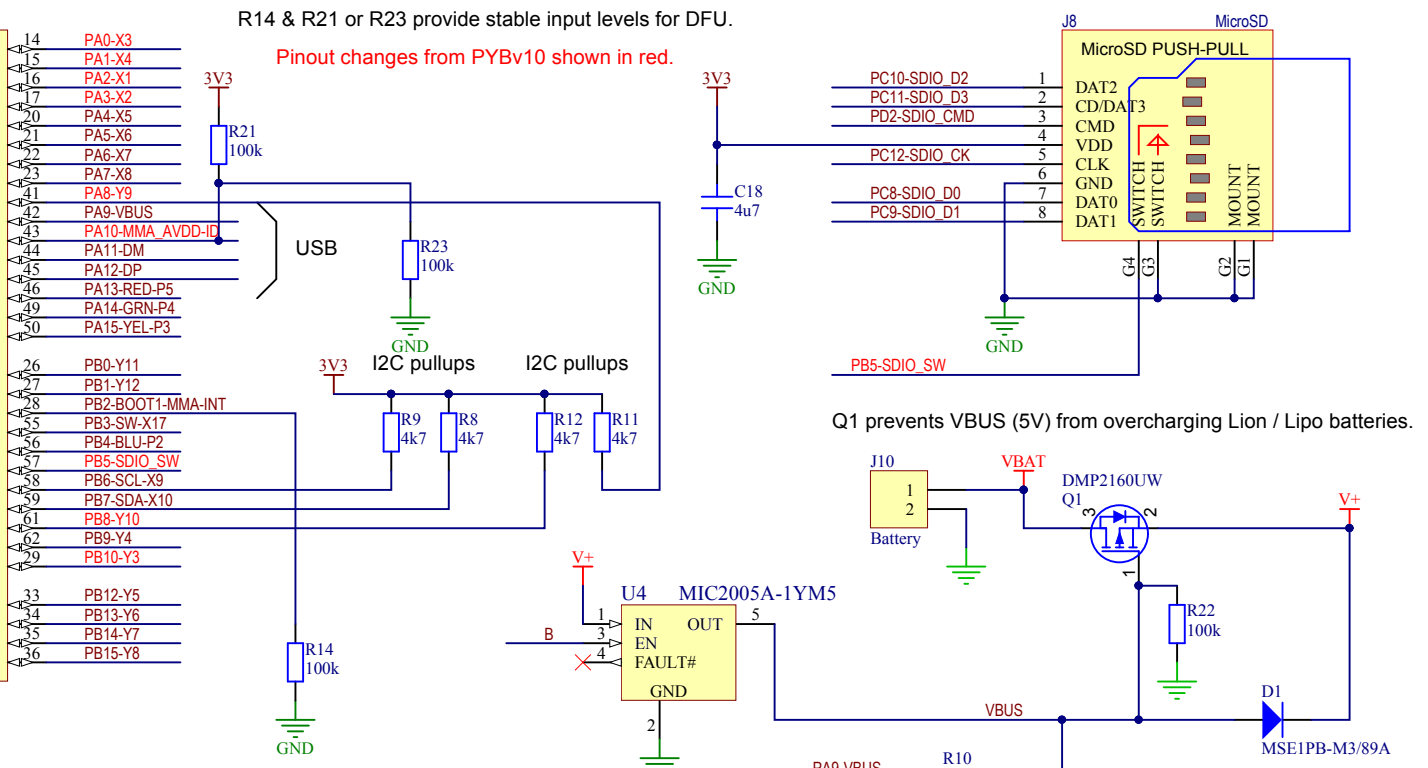
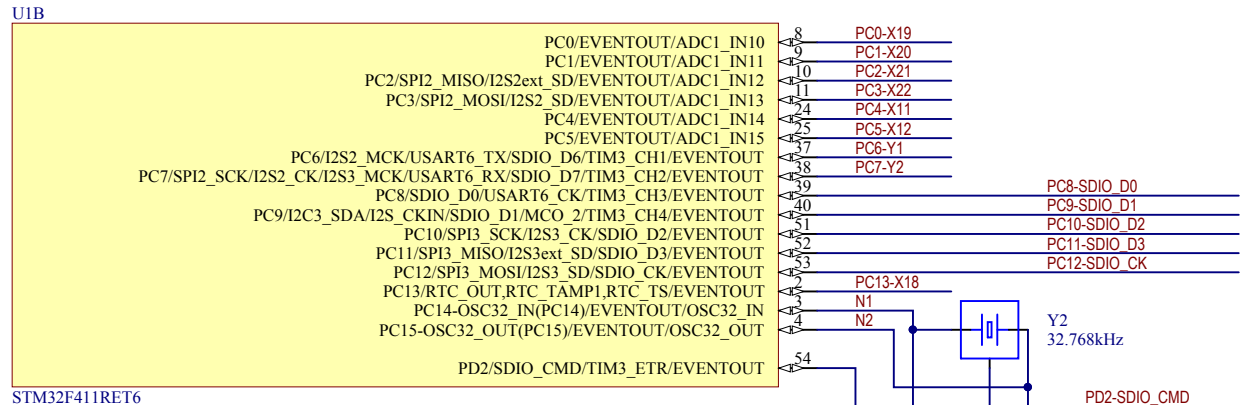
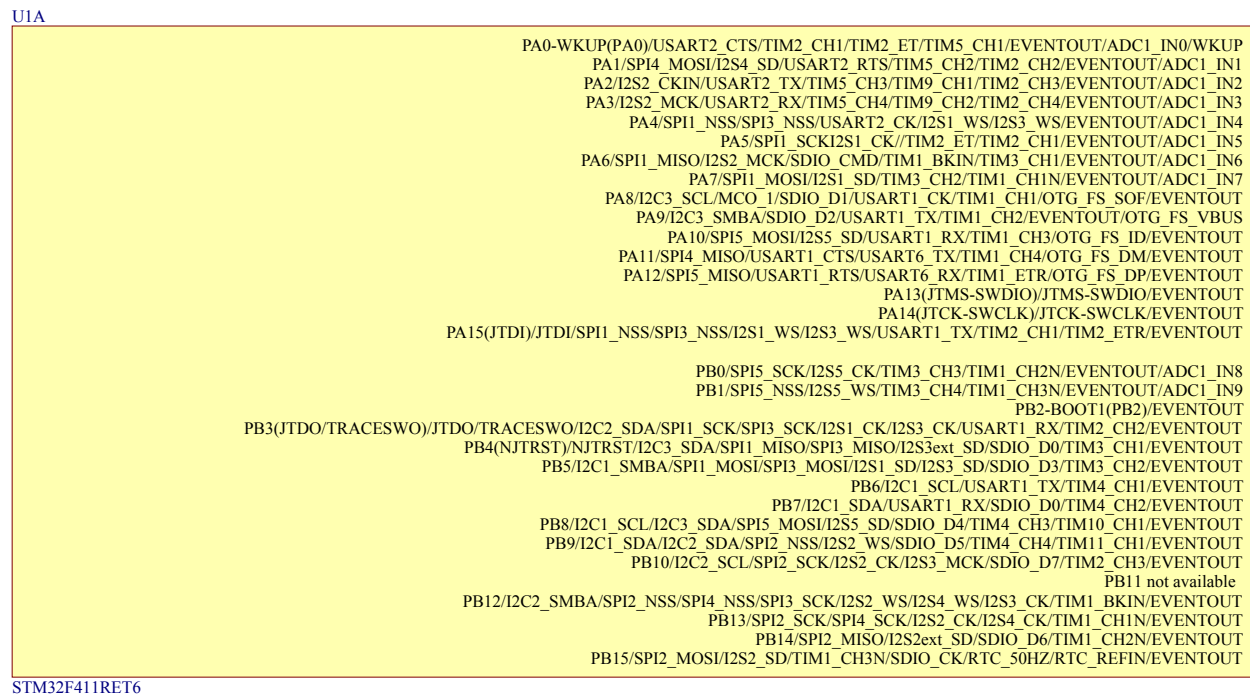


USB DFU requires stable level on PA10, PB2 must be low during boot.

R14 & R21 or R23 provide stable input levels for DFU.

Pinout changes from PYBv10 shown in red.



Test points for JTAG debug available on bottom connector
Note: LED resistors may need to be removed for debug (tbd).

All pins are 5V tolerant except PA0, PA4 & PA5
Therefore X skin SPI is not 5V tolerant
PC13 is limited to 3mA out.