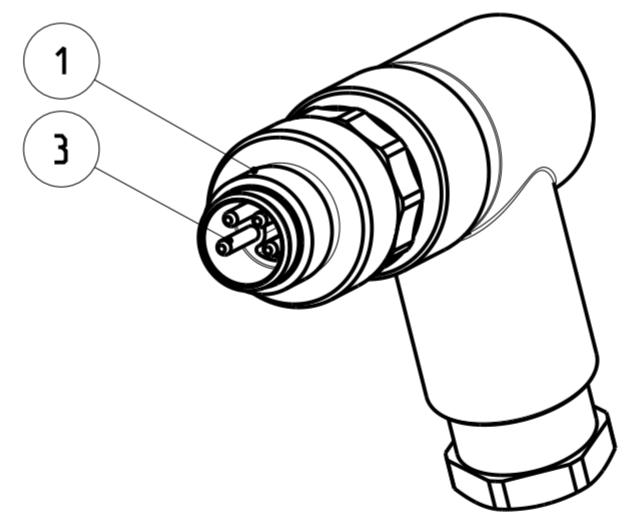
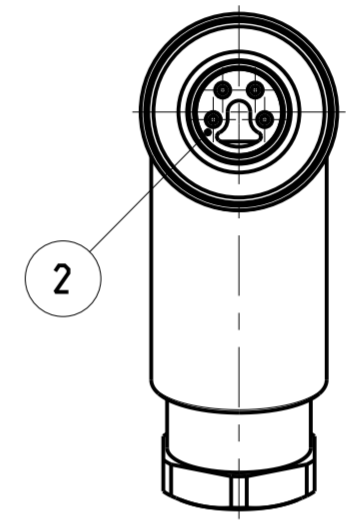
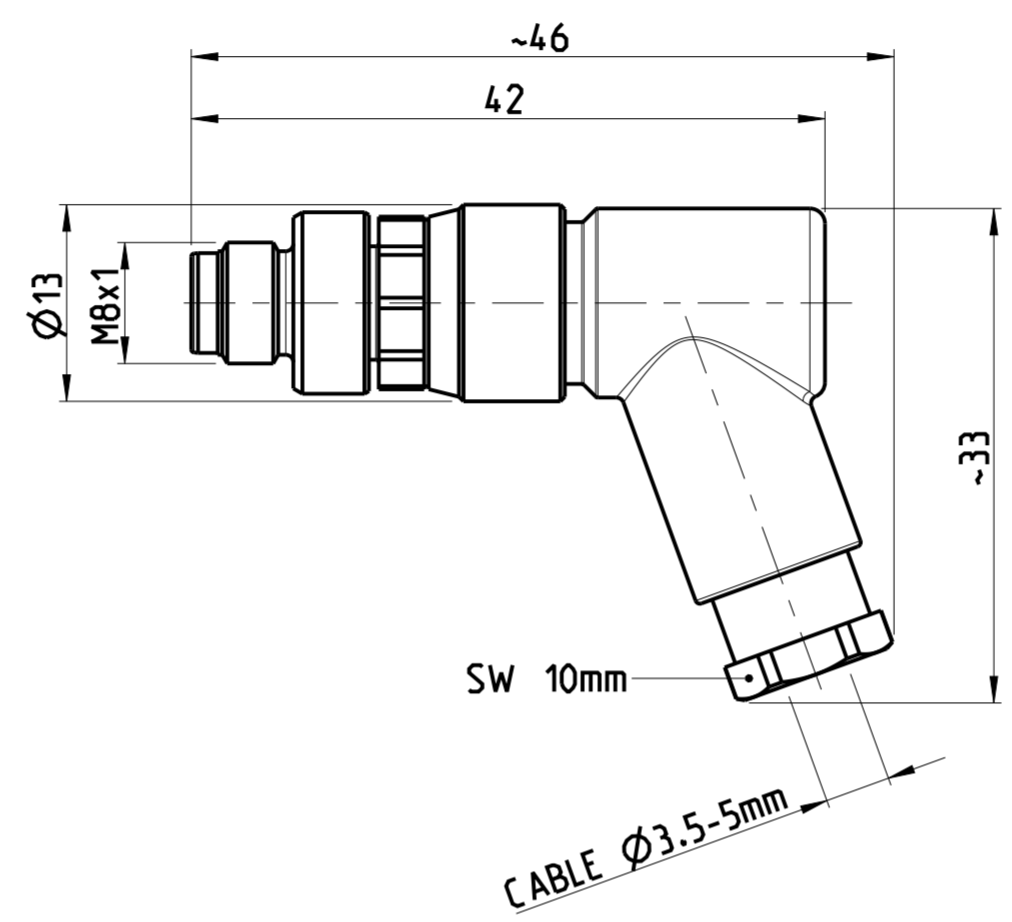


REVISIONS		DATE	DWN	APVD
ÄNDERUNGEN				
P	LTR	DESCRIPTION		
		BESCHREIBUNG		
	A1	NEW DRAWING	07MAY2014	YR CS

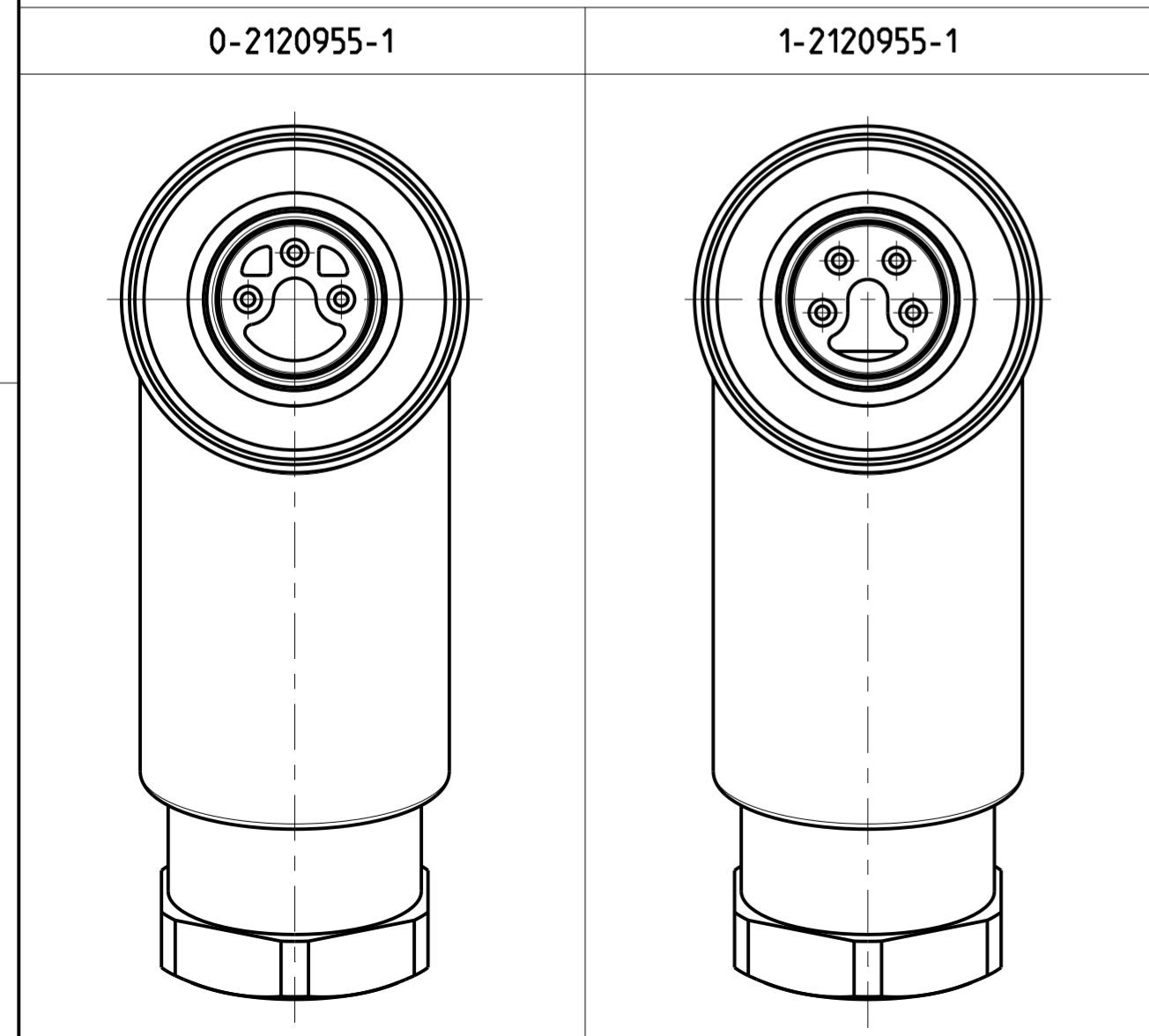
- 1 MATERIAL: ITEM NO. 1: HOUSING - PBT
 ITEM NO. 2: CONTACT BODY - PA
 ITEM NO. 3: CONTACT - CuZn (brass)
 CONTACT FINISH - Au (gold)

- 2 ALL DIMENSIONS ARE FOR NOMINAL REFERENCE ONLY UNLESS OTHERWISE STATED
 3 MEASUREMENT REFERENCE ONLY
 4 PACKAGING: 1 PIECE IN A BAG

TECHNICAL DATA	0-2120955-1	1-2120955-1
RATED VOLTAGE	60V	30V
RATED IMPULSE VOLTAGE	800V	800V
POLLUTION DEGREE	3	3
OVERVOLTAGE CATEGORY	II	II
MATERIAL GROUP	III	III
RATED CURRENT	4A	4A
VOLUME RESISTIVITY	≤ 3mΩ	≤ 3mΩ
DEGREE OF PROTECTION	IP67	IP67
UPPER TEMPERATURE	+85°C	+85°C
LOWER TEMPERATURE	-40°C	-40°C



PIN ARRANGEMENT (SCALE 4:1)



CABLE FEED-THROUGH	MATERIAL	NUMBER OF POLES	TE-PART-NO.
3.5-5	⚠	4	1-2120955-1
3.5-5	⚠	3	0-2120955-1

1-1 AS SHOWN WIE GEZEICHNET

SIZE ISO 14405 (E)

DIESE ZEICHNUNG IST EIN KONTROLLIERTES DOKUMENT. BEMASSUNGEN UND TOLERANZEN GEMAESS GPS (ISO STANDARDS). THIS DRAWING IS A CONTROLLED DOCUMENT. DIMENSIONING AND TOLERANCING PER GPS (ISO STANDARDS).

DIMENSIONS: MASSSTÄBE: (mm)	TOLERANCES UNLESS OTHERWISE SPECIFIED: ALLGEMEINTOLERANZEN	DWN YASHKUMAR 07MAY2014	CHK M. STRELOW 07MAY2014	APVD C. SCHRETLINGER 07MAY2014
0 PLC ±	1 PLC ±	2 PLC ±	3 PLC ±	4 PLC ±
ANGLES/WINKEL ±	FINISH/OBERFLÄCHE/FARBE	PRODUCT SPEC	APPLICATION SPEC	WEIGHT GEWICHT
MATERIAL		Customer Drawing	/KUNDENZEICHNUNG	SCALE MASSSTAB 2:1 SHEET BLATT 1 OF 1 REV A1

NAME: M8 MALE 90 DEG ANGLED FIELD INSTALLABLE. UNSHIELDED CONNECTOR. SOLDER TERMINALS.

SIZE: A2 CAGE CODE: 00779 DRAWING NO: C-2120955 RESTRICTED TO: MUR FÜR

TE Connectivity