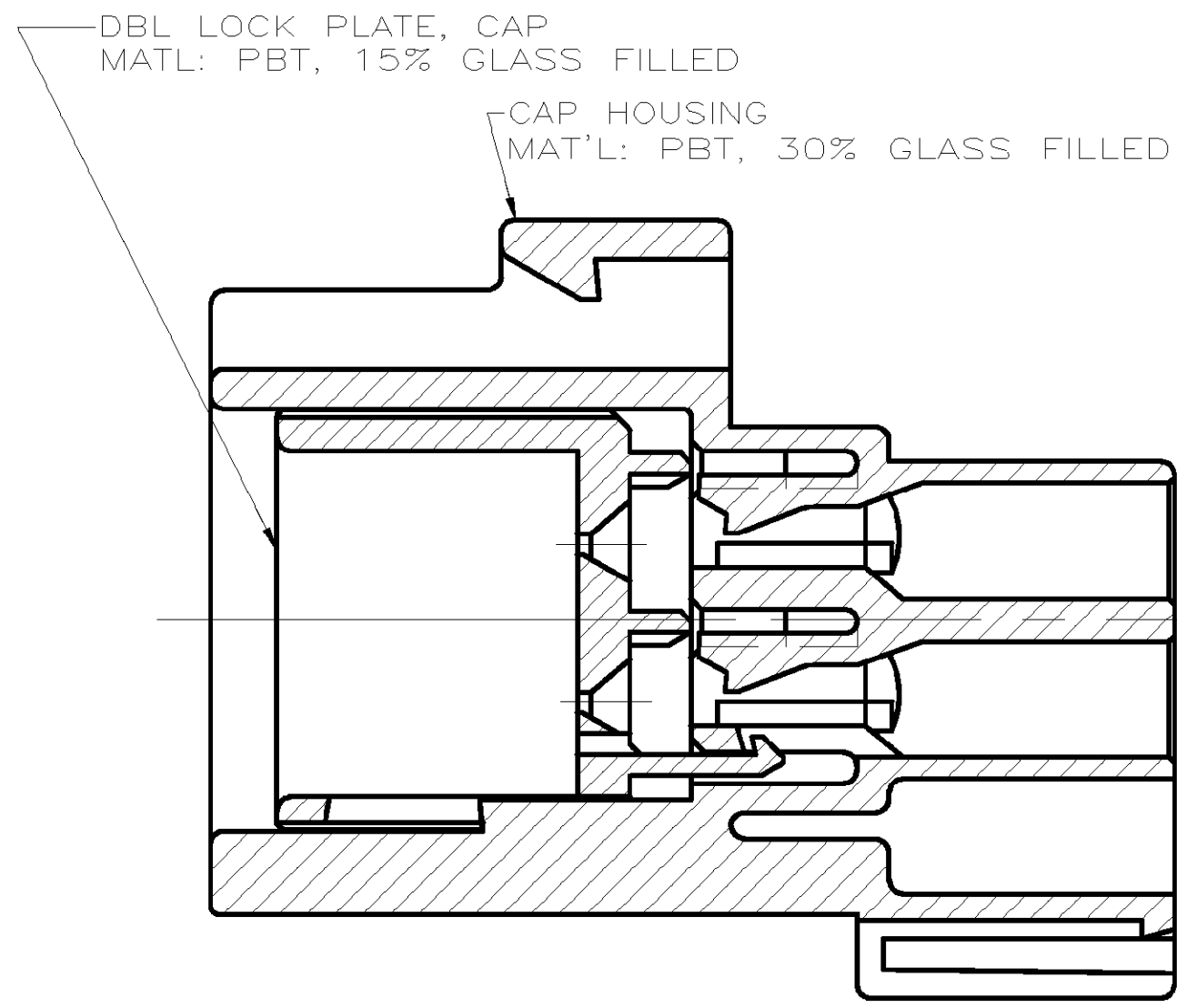
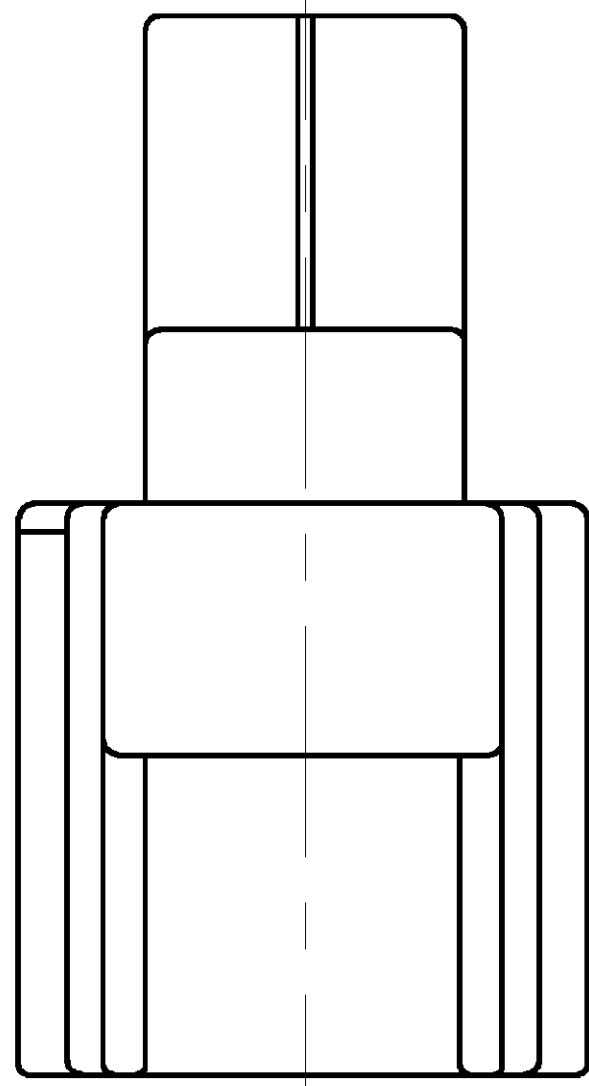
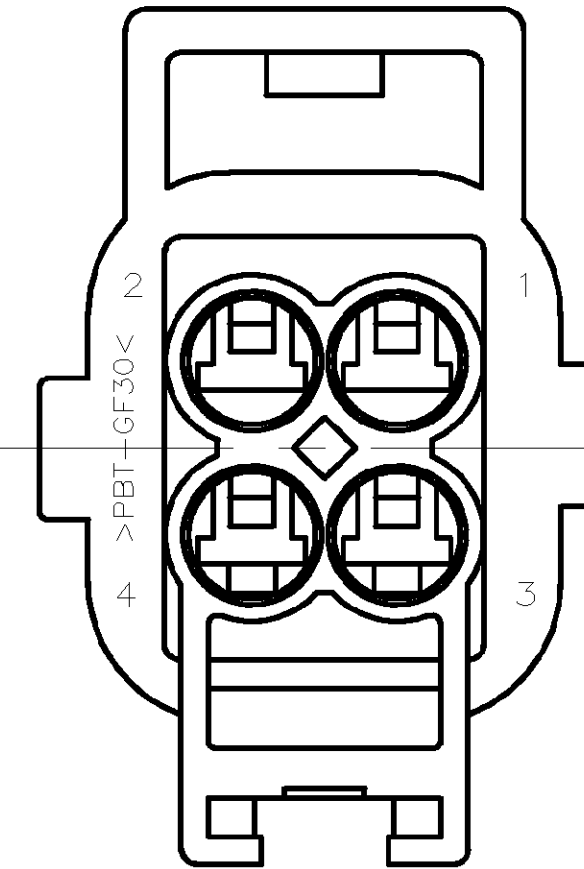
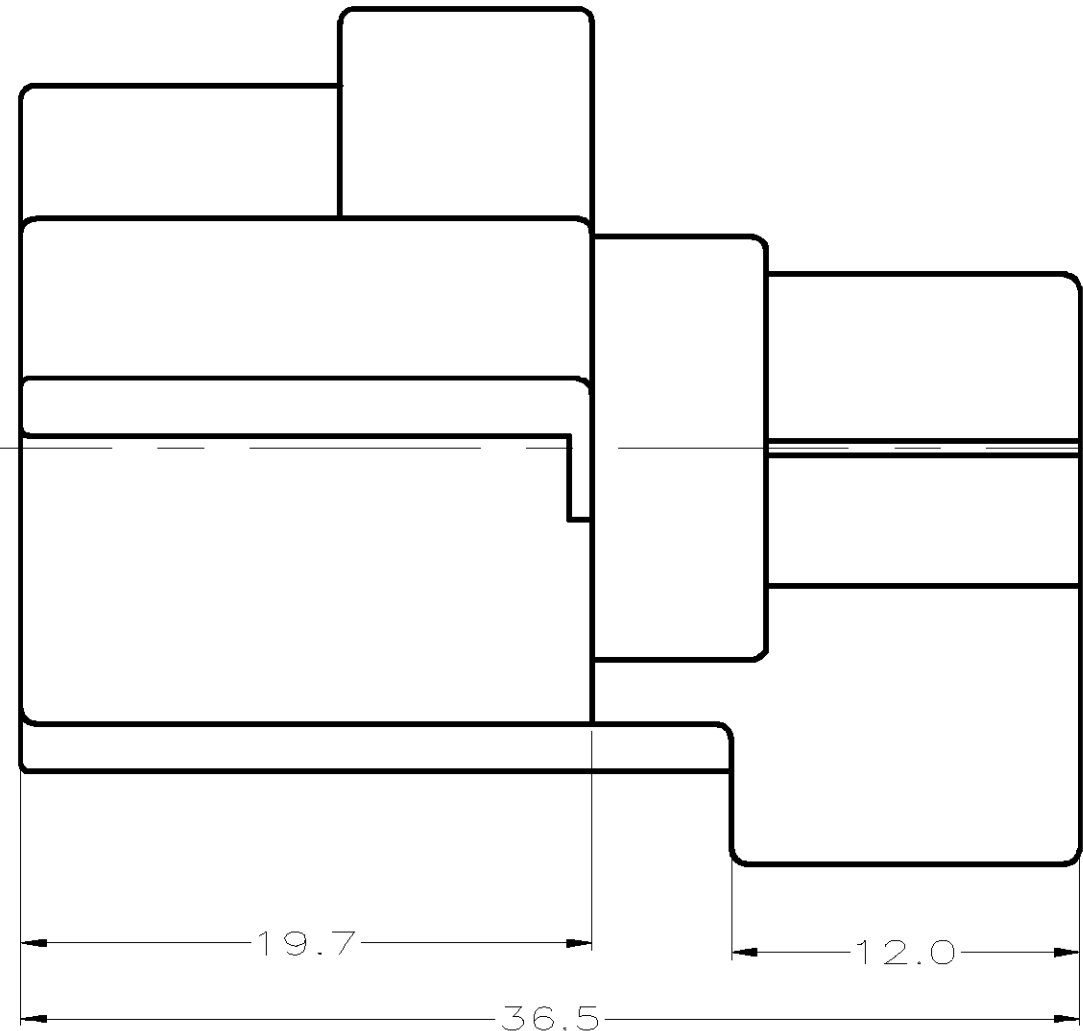
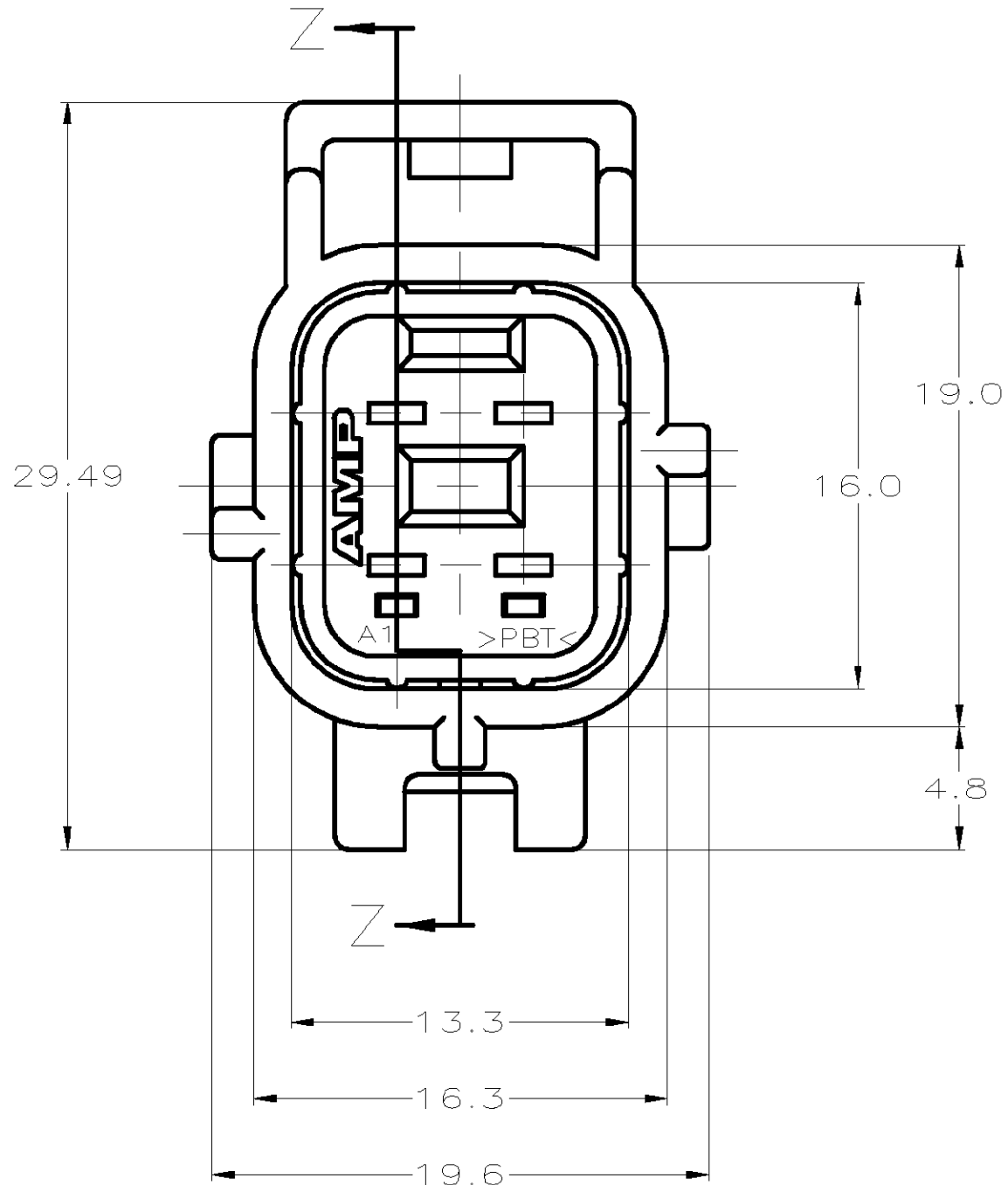


THIS DRAWING IS UNPUBLISHED. RELEASED FOR PUBLICATION
 © COPYRIGHT BY TYCO ELECTRONICS CORPORATION. ALL RIGHTS RESERVED.

LOC	DIST	REVISIONS			
P	LTR	DESCRIPTION	DATE	DWN	APVD
GE	00	D	EC 0K40-0651-02	25JUL02	JRB/KLC



SECTION Z-Z
SCALE 4:1



BLACK	184357-1
CAP COLOR	PART NUMBER

THIS DRAWING IS A CONTROLLED DOCUMENT.		DWN P. YEAGER 02AU699	Tyco Electronics Corporation Harrisburg, PA 17105-3608	
DIMENSIONS: MM		CHK G. INHOFFER 02AU699	NAME 2 X 2 CAP ASY, KEY C-C3	
TOLERANCES UNLESS OTHERWISE SPECIFIED:		APVD G. INHOFFER 02AU699	PRODUCT SPEC	
0 PLC	± -	APPLICATION SPEC		
1 PLC	± 0.3	WEIGHT		
2 PLC	± 0.15	SIZE A2		
3 PLC	± -	CAGE CODE 00779		
4 PLC	± -	DRAWING NO 184357		
ANGLES	± -	RESTRICTED TO		
MATERIAL	FINISH	CUSTOMER DRAWING		
		SCALE 4:1		SHEET 1 OF 1
				REV D