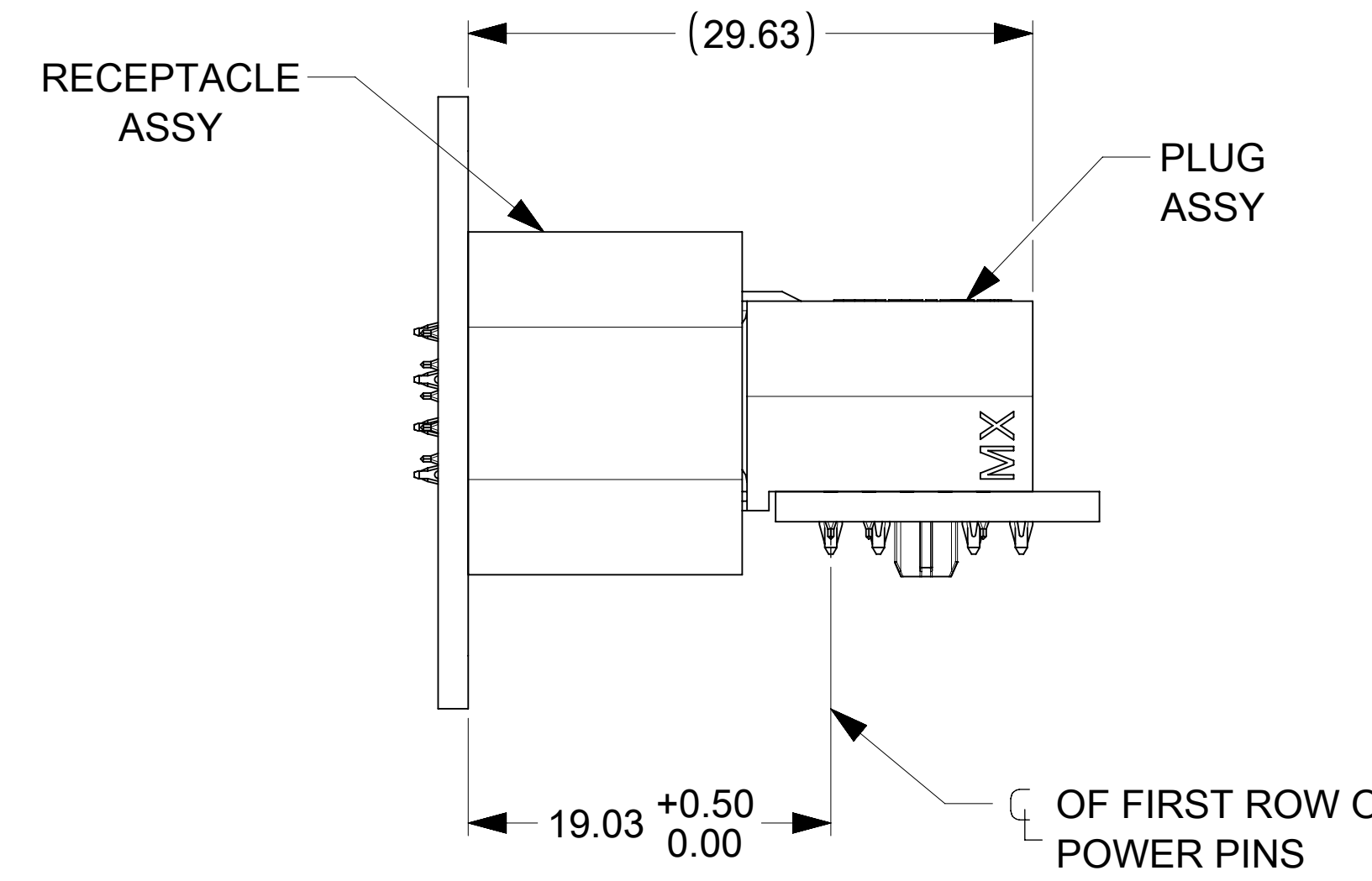
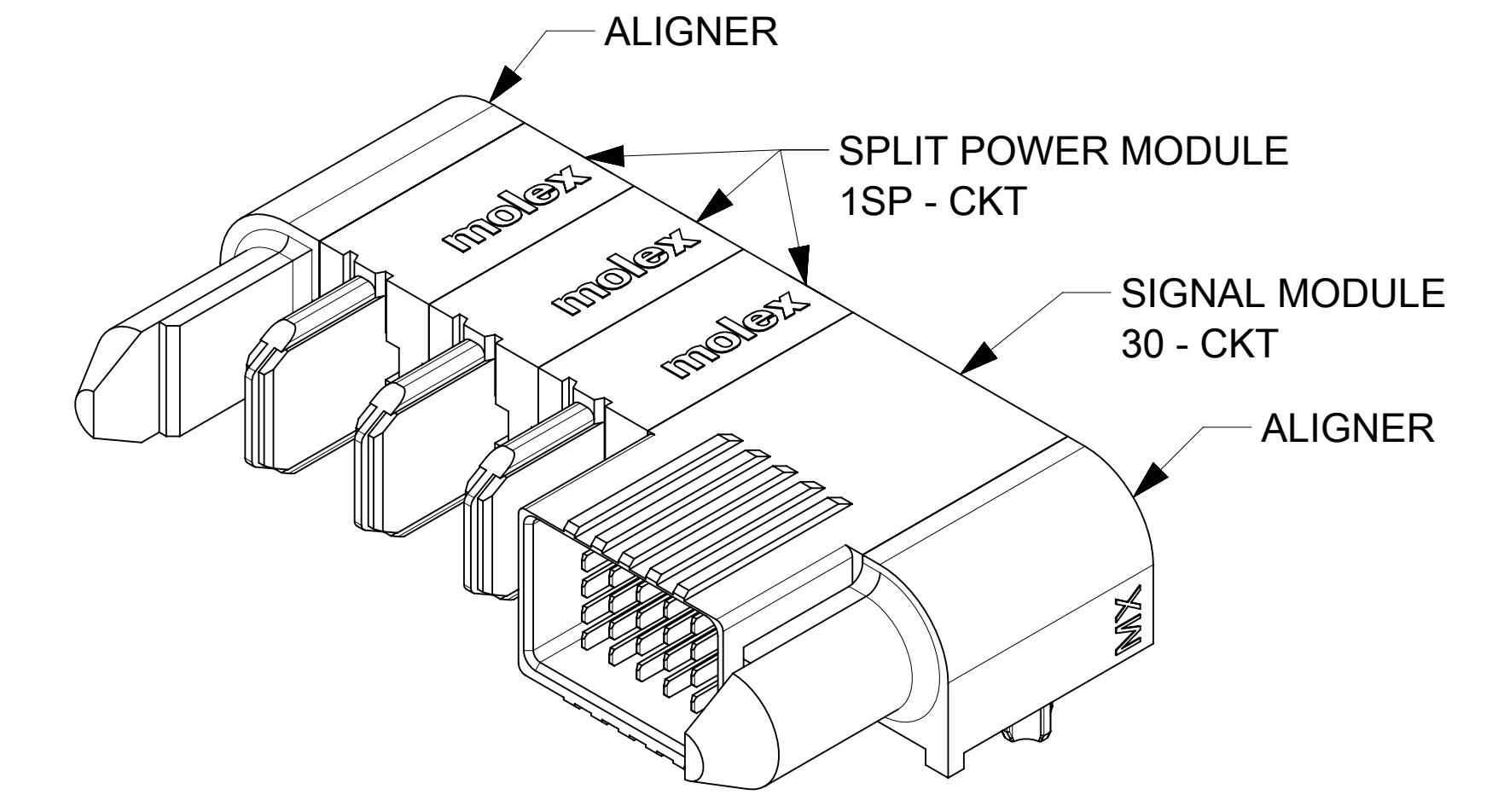


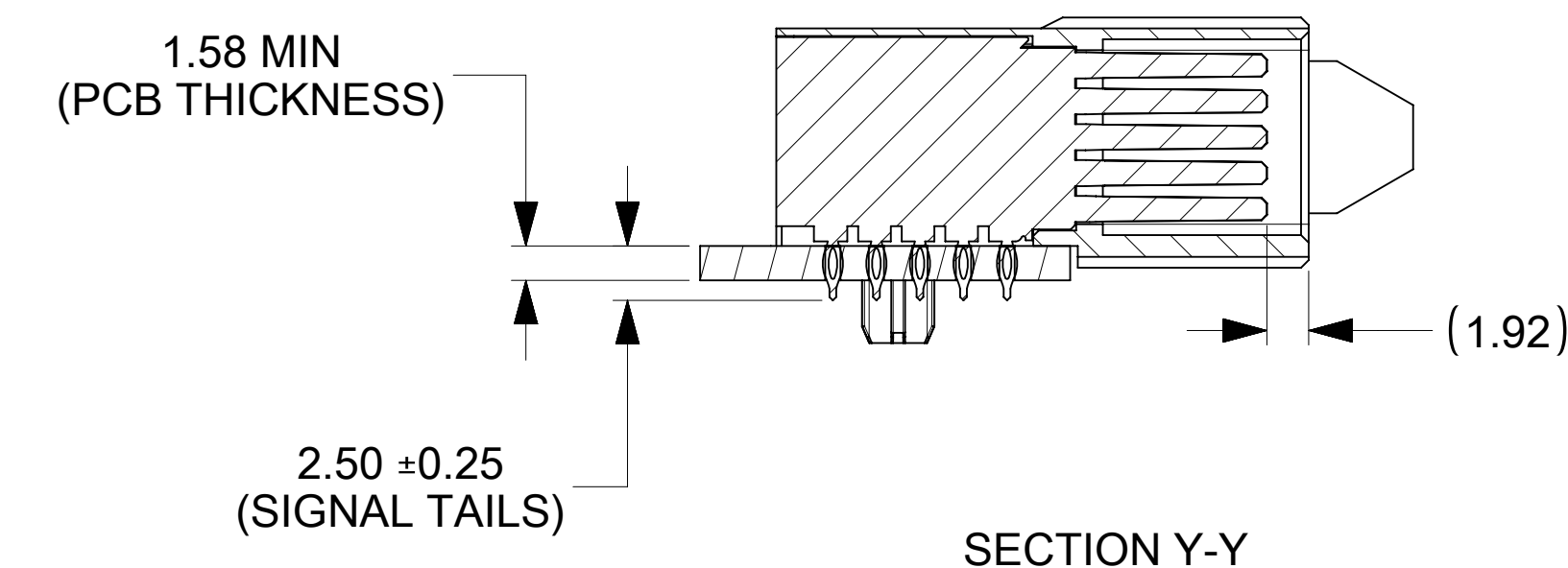
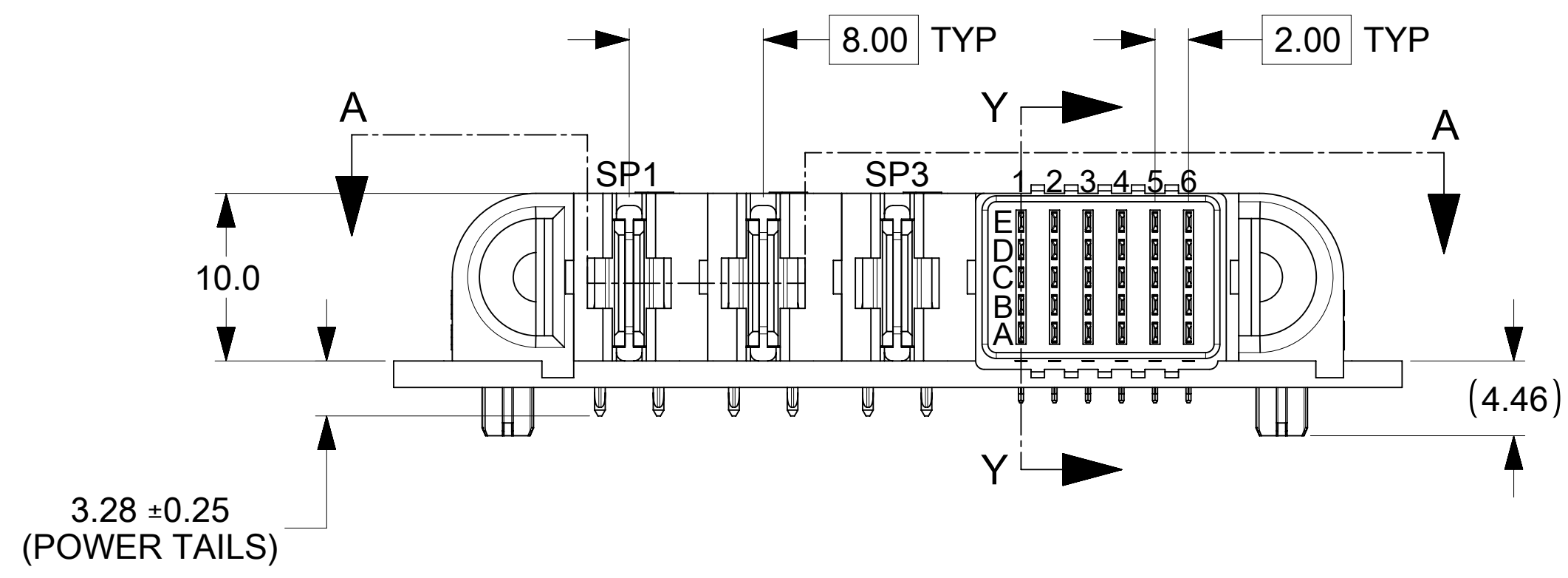
SECTION A-A



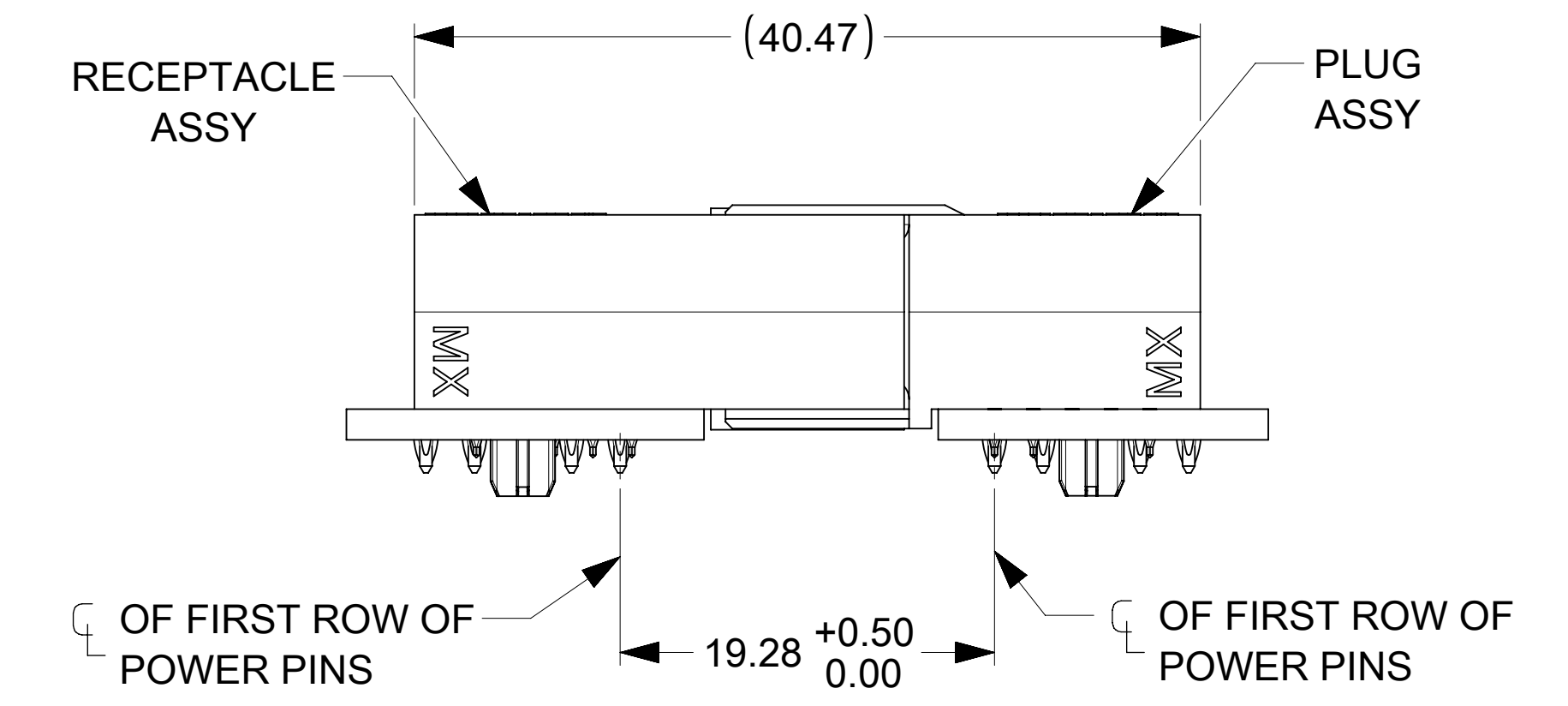
MATED PROFILE  
(MATED WITH VERT RECEPTACLE ASSY)



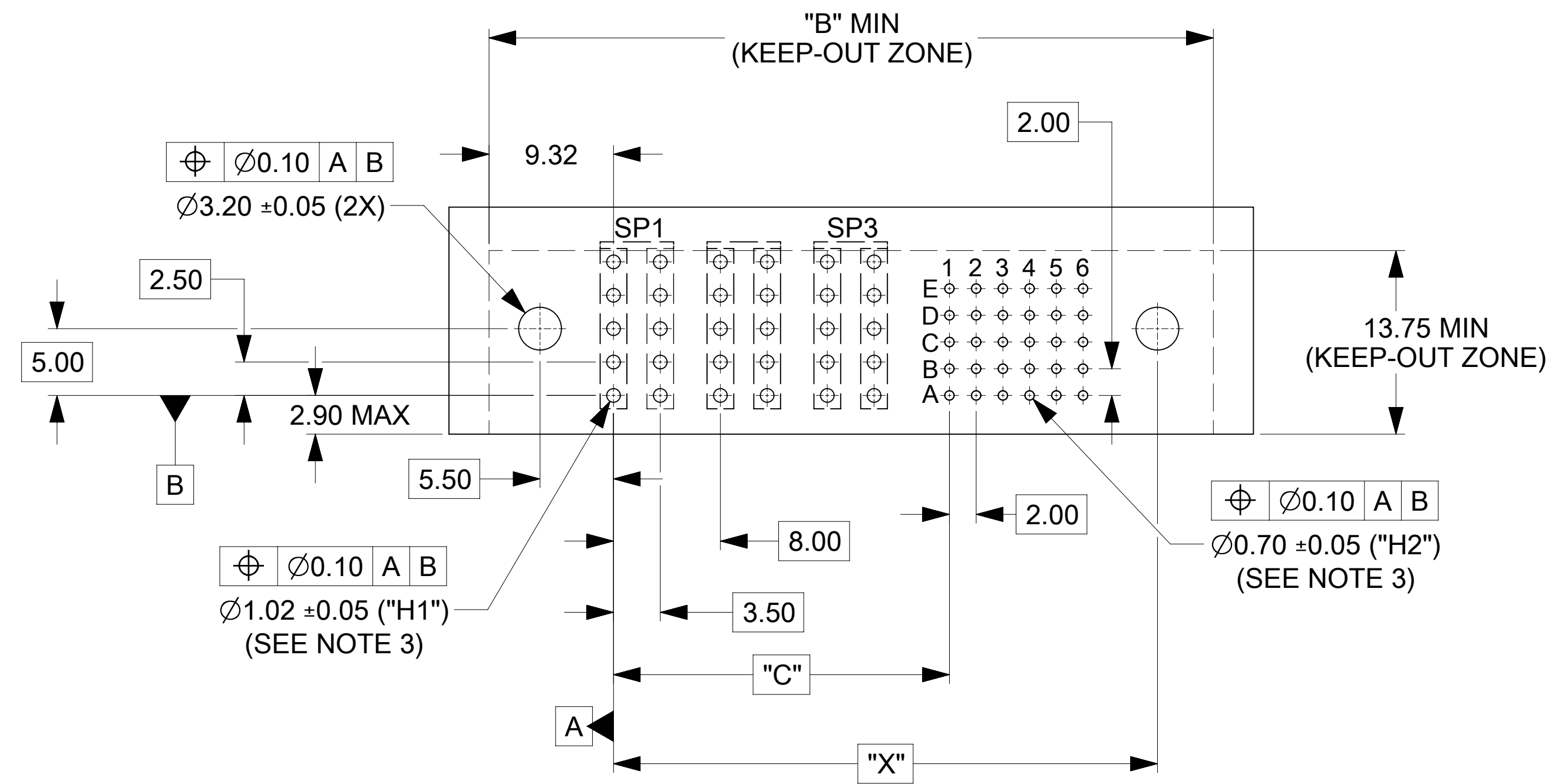
P/N: 171088-8418 (G-3SP-30S-G)



SECTION Y-Y



MATED PROFILE  
(MATED WITH R/A RECEPTACLE ASSY)



RECOMMENDED PCB LAYOUT AND KEEP-OUT ZONE FOR G-(1SP TO 3SP)-30S-G

- NOTES:
- MATERIAL:
    - HOUSINGS: LCP UL94, V-0, COLOR: BLACK
    - TERMINALS: HIGH CONDUCTIVITY COPPER ALLOY
    - PLATING: 1.27 MICROMETER (50 MICROINCH) NICKEL OVERALL WITH 2.54 MICROMETER (100 MICROINCH) SELECTIVE TIN ON TAILS AND 0.762 MICROMETER (30 MICROINCH) SELECTIVE GOLD ON CONTACT AREA
  - PACKAGING: ASSEMBLIES TO BE TRAY PACKED PER PACKAGING SPEC: 1710881001-PK
  - PLATED THRU HOLE SIZE, REFER TO PS-171088-0000 FOR DETAILS
  - PRODUCT SPEC: PS-171088-0000
  - PRODUCT TO MEET RoHS REQUIREMENTS
  - ASSEMBLY MATES TO MOLEX RECEPTACLE ASSEMBLY P/N 171089-\*\*\*\* AND 171090-\*\*\*\* (SEE TABLE IN SHEET 2)
  - TAIL DESIGN: COMPLIANT TAIL
  - POWER AND SIGNAL CONTACTS ARE LUBRICATED.
  - APPLICATION SPEC: AS-46436-100..
  - MOLEX LOGO TO BE LOCATED APPROXIMATELY AS SHOWN.

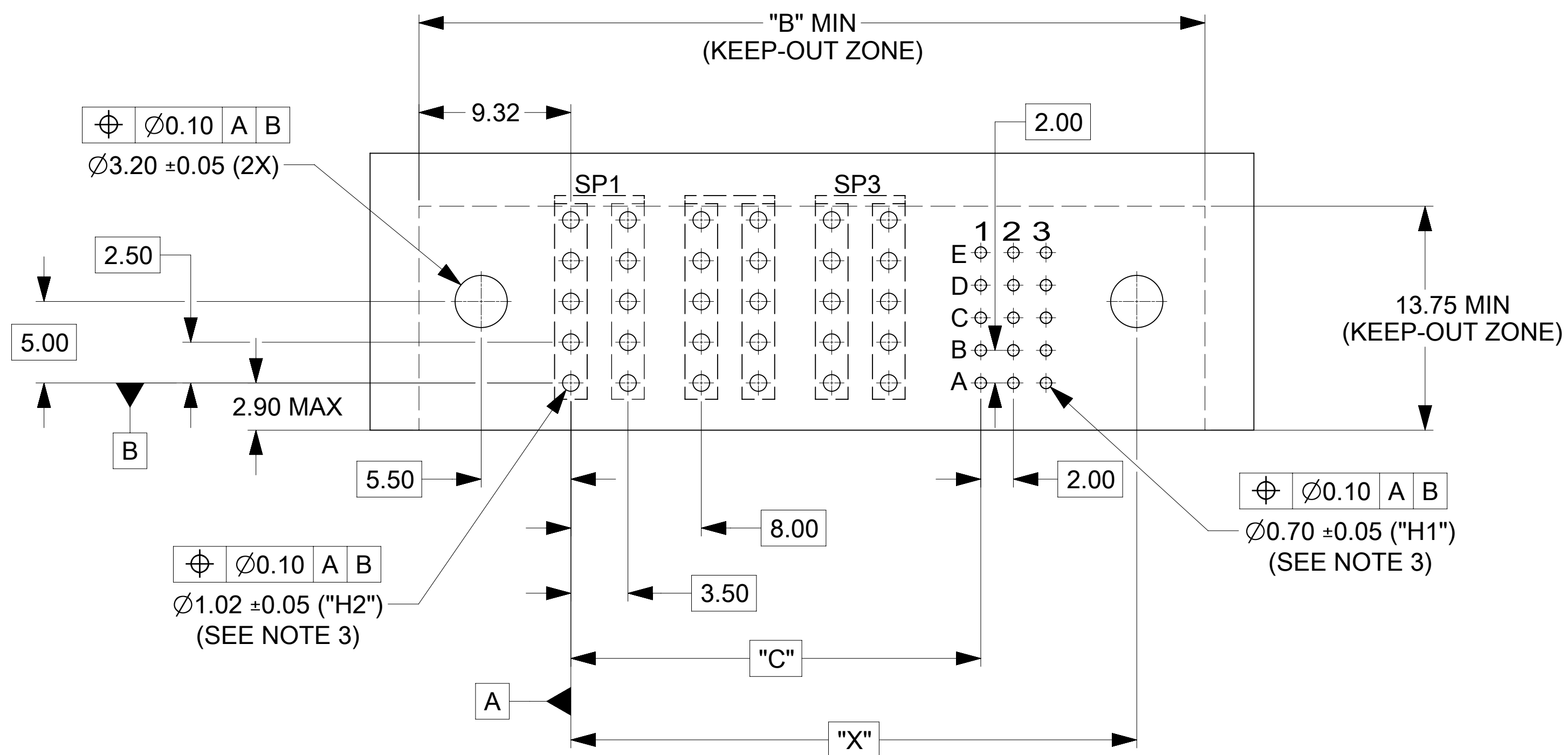
THIS DRAWING CONTAINS INFORMATION THAT IS PROPRIETARY TO MOLEX ELECTRONIC TECHNOLOGIES, LLC AND SHOULD NOT BE USED WITHOUT WRITTEN PERMISSION

DIMENSION UNITS	SCALE	CURRENT REV DESC: REMOVED 8414, 8415, 8419 & 8420	
mm	3:1		
GENERAL TOLERANCES (UNLESS SPECIFIED)			
ANGULAR TOL	± 0.5°		
4 PLACES	±	EC NO: 707711	2022/05/20
3 PLACES	±	DRWN: KSUTAR	2022/05/23
2 PLACES	± 0.13	CHK'D: GJEEVANSURES	2022/06/08
1 PLACE	± 0.25	APPR: HTHYAGARAJ	
0 PLACES	±	INITIAL REVISION:	
DRAFT WHERE APPLICABLE MUST REMAIN WITHIN DIMENSIONS		DRWN: KSUTAR	2021/09/22
THIRD ANGLE PROJECTION		APPR: HTHYAGARAJ	2021/11/08
DRAWING		SERIES	MATERIAL NUMBER
D-SIZE		171088	SEE TABLE
CUSTOMER		GENERAL MARKET	
SHEET NUMBER		1 OF 3	

G-\*SP-\*S-G  
R/A PLUG ASSY - TEN60 SPLIT POWER

PRODUCT CUSTOMER DRAWING

DOCUMENT NUMBER	DOC TYPE	DOC PART	REVISION
1710888420	PSD	000	A2



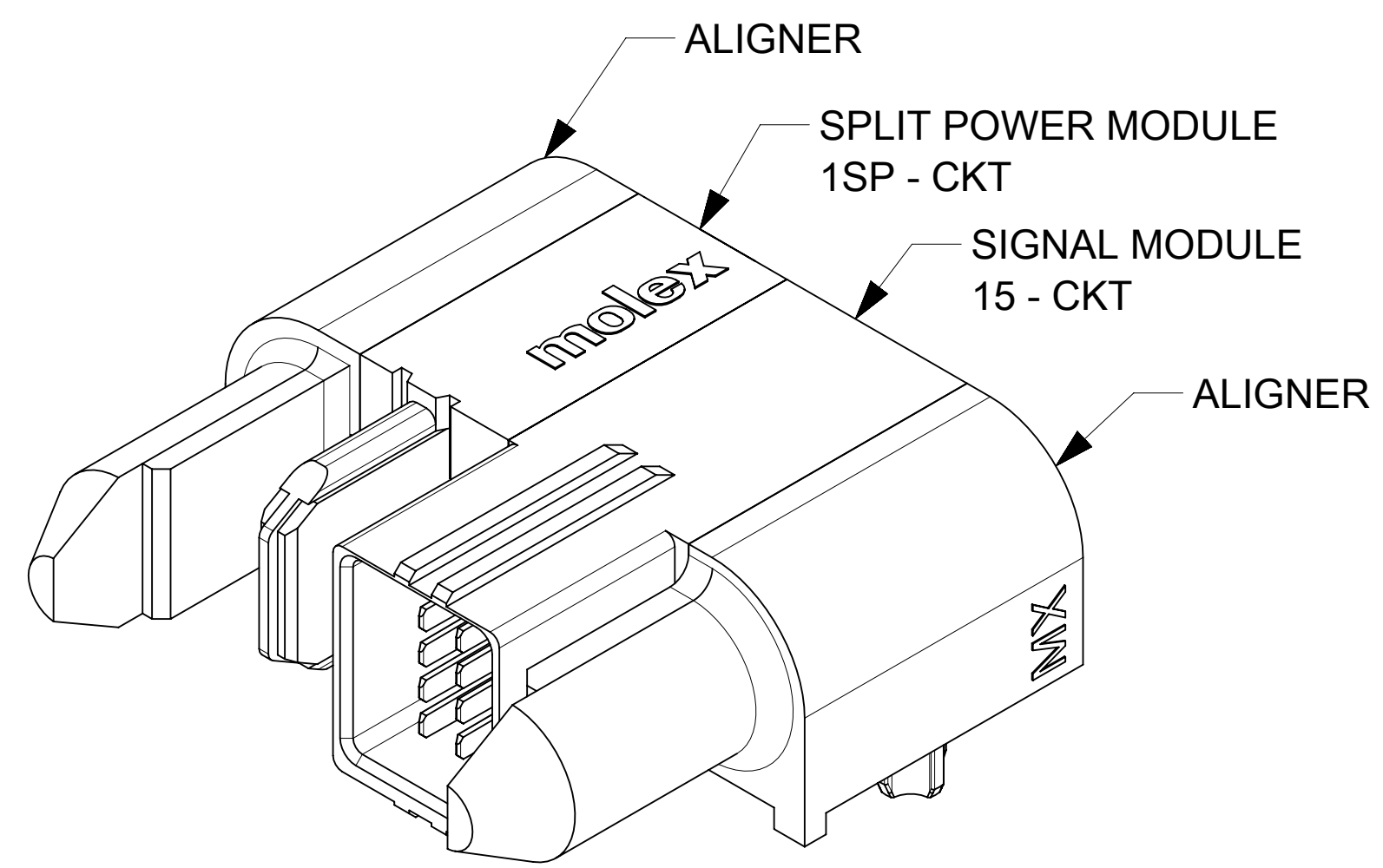
RECOMMENDED PCB LAYOUT AND KEEP-OUT ZONE FOR G-(1SP TO 3SP)-15S-G

REFER TO BELOW TABLE FOR DIMENSIONS.

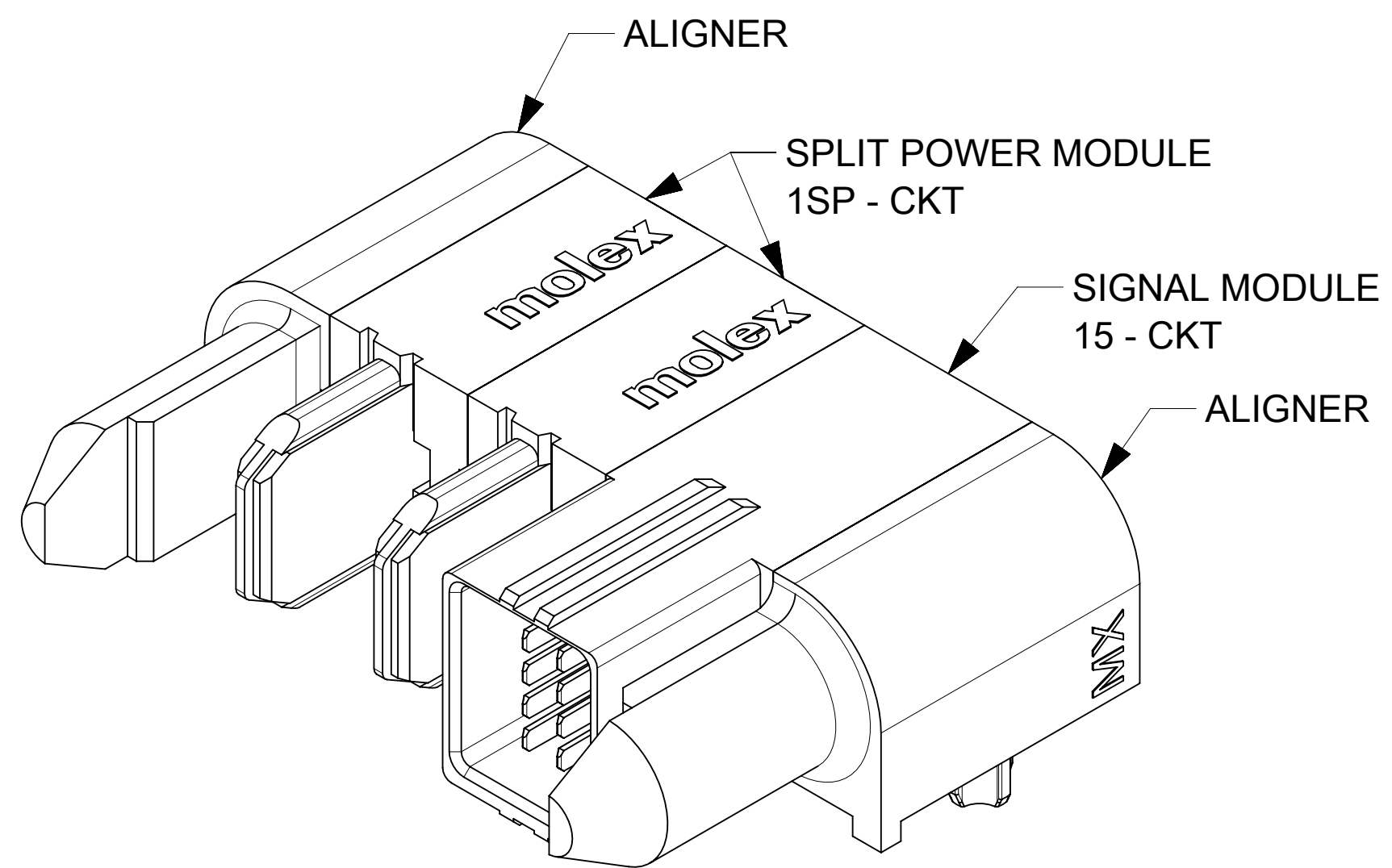
FG P/N	CONFIGURATION	POWER CKT SIZE	SIGNAL CKT SIZE	DIM "A" (IN MM)	DIM "B" (IN MM)	DIM "C" (IN MM)	DIM "X" (IN MM)	HOLES COUNT "H1"	HOLES COUNT "H2"	MATES WITH R/A ASSY P/N	MATES WITH VERT ASSY P/N
1710888411	G-1SP-15S-G	1	15	31.21	32.21	9.14	18.71	10	15	1710908411	1710898411
1710888412	G-2SP-15S-G	2	15	39.21	40.21	17.14	26.71	20	15	1710908412	1710898412
1710888413	G-3SP-15S-G	3	15	47.21	48.21	25.14	34.71	30	15	1710908413	1710898413
1710888416	G-1SP-30S-G	1	30	37.21	38.21	9.14	24.71	10	30	1710908416	1710898416
1710888417	G-2SP-30S-G	2	30	45.21	46.21	17.14	32.71	20	30	1710908417	1710898417
1710888418	G-3SP-30S-G	3	30	53.21	54.21	25.14	40.71	30	30	1710908418	1710898418

THIS DRAWING CONTAINS INFORMATION THAT IS PROPRIETARY TO MOLEX ELECTRONIC TECHNOLOGIES, LLC AND SHOULD NOT BE USED WITHOUT WRITTEN PERMISSION

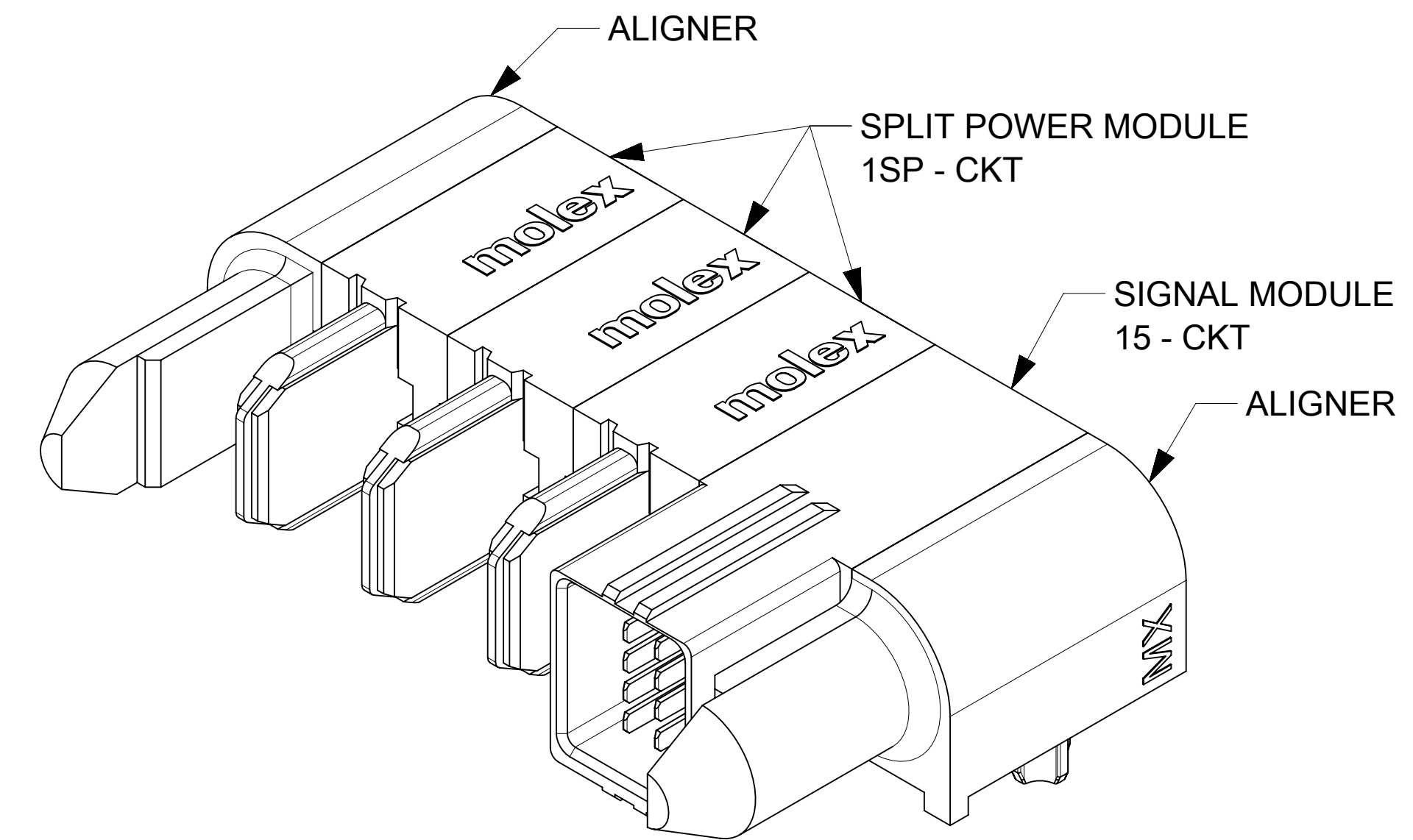
DIMENSION UNITS <b>mm</b>	SCALE <b>4:1</b>	CURRENT REV DESC: REMOVED 8414, 8415, 8419 & 8420				
GENERAL TOLERANCES (UNLESS SPECIFIED)						<b>G-*SP-*S-G</b> R/A PLUG ASSY - TEN60 SPLIT POWER
ANGULAR TOL	± 0.5°	EC NO: 707711	<b>PRODUCT CUSTOMER DRAWING</b>			
4 PLACES	±	DRWN: KSUTAR 2022/05/20				DOCUMENT NUMBER <b>1710888420</b>
3 PLACES	±	CHK'D: GJEEVANSURES 2022/05/23	DOC TYPE <b>PSD</b>			
2 PLACES	± 0.13	APPR: HTHYAGARAJ 2022/06/08				DOC PART <b>000</b>
1 PLACE	± 0.25	INITIAL REVISION: DRWN: KSUTAR 2021/09/22 APPR: HTHYAGARAJ 2021/11/08	REVISION <b>A2</b>			
0 PLACES	±					MATERIAL NUMBER <b>171088</b>
DRAFT WHERE APPLICABLE MUST REMAIN WITHIN DIMENSIONS		THIRD ANGLE PROJECTION	DRAWING	SERIES	CUSTOMER	
			<b>D-SIZE</b>	<b>171088</b>	GENERAL MARKET	<b>2 OF 3</b>



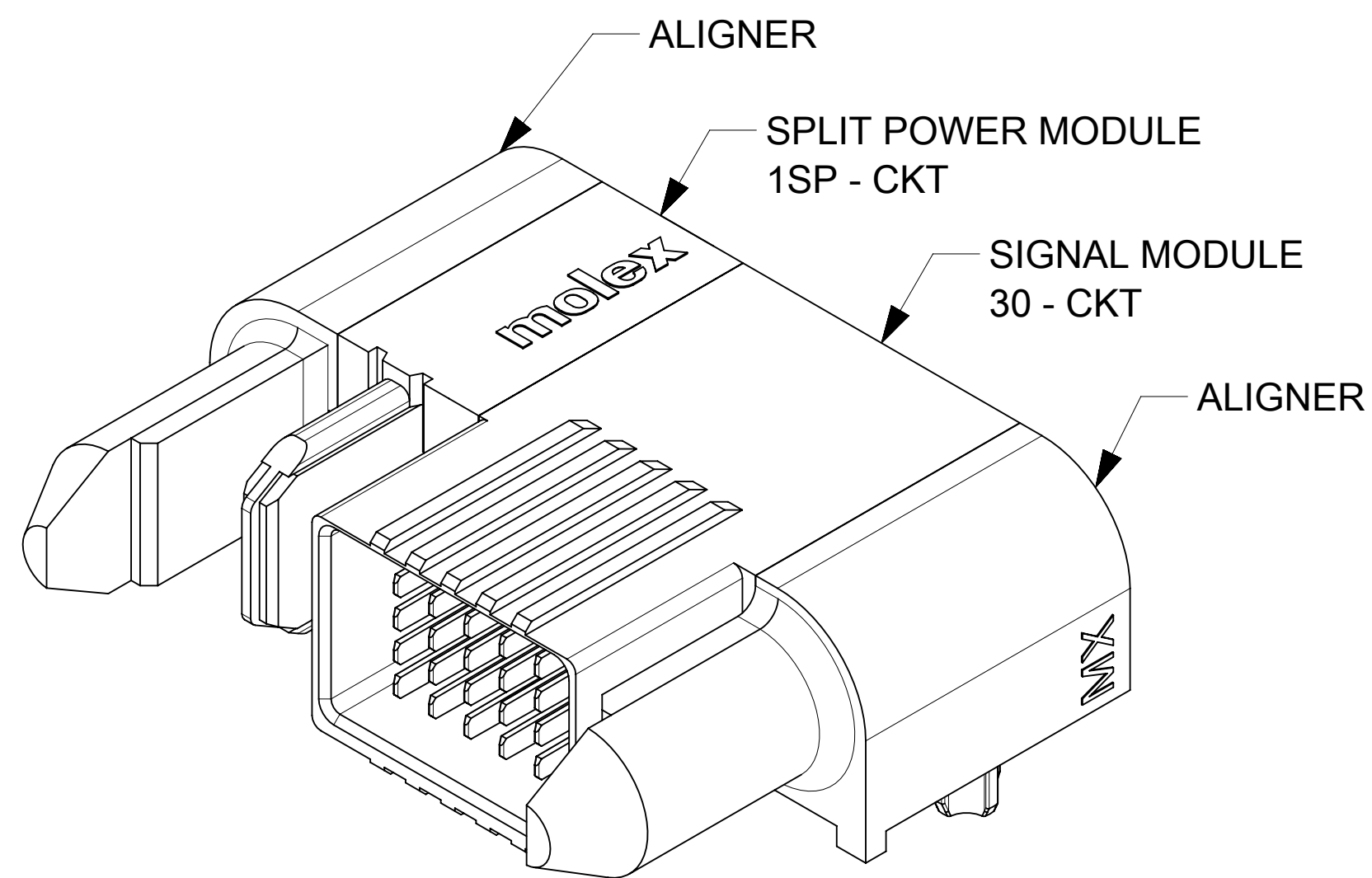
P/N: 171088-8411 (G-1SP-15S-G)



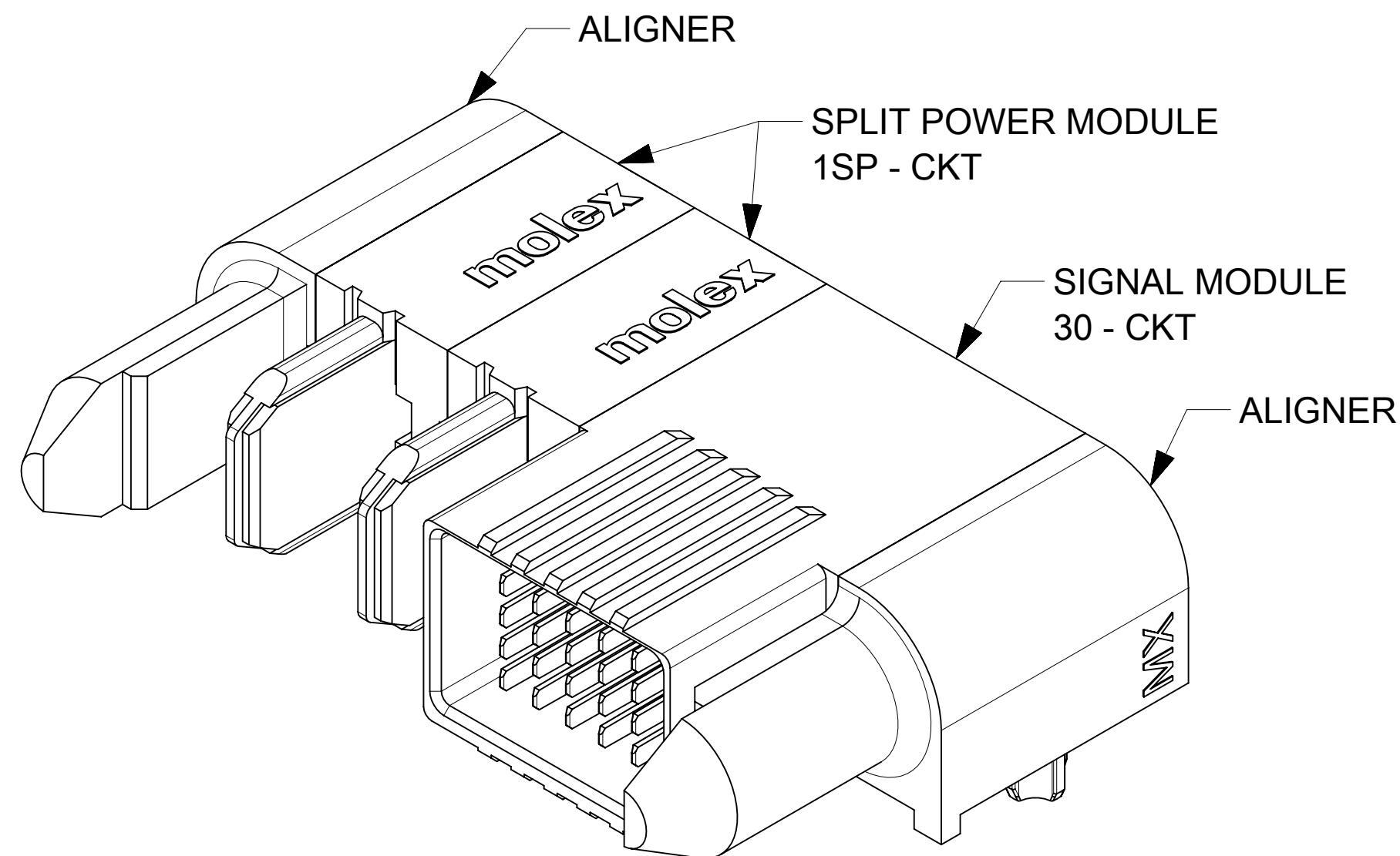
P/N: 171088-8412 (G-2SP-15S-G)




P/N: 171088-8413 (G-3SP-15S-G)



P/N: 171088-8416 (G-1SP-30S-G)



P/N: 171088-8417 (G-2SP-30S-G)

THIS DRAWING CONTAINS INFORMATION THAT IS PROPRIETARY TO MOLEX ELECTRONIC TECHNOLOGIES, LLC AND SHOULD NOT BE USED WITHOUT WRITTEN PERMISSION												
DIMENSION UNITS	SCALE	CURRENT REV DESC: REMOVED 8414, 8415, 8419 & 8420										
mm	4:1	 G-*SP-*S-G R/A PLUG ASSY - TEN60 SPLIT POWER PRODUCT CUSTOMER DRAWING										
GENERAL TOLERANCES (UNLESS SPECIFIED)												
ANGULAR TOL	± 0.5°											
4 PLACES	±											
3 PLACES	±											
2 PLACES	± 0.13	EC NO: 707711	DRWN: KSUTAR		2022/05/20		DOCUMENT NUMBER		DOC TYPE	DOC PART	REVISION	
1 PLACE	± 0.25	INITIAL REVISION:		DRWN: KSUTAR		2021/09/22		1710888420		PSD	000	A2
0 PLACES	±	APPR: HTHYAGARAJ		APPR: HTHYAGARAJ		2021/11/08		MATERIAL NUMBER		CUSTOMER		SHEET NUMBER
DRAFT WHERE APPLICABLE MUST REMAIN WITHIN DIMENSIONS		THIRD ANGLE PROJECTION	DRAWING	SERIES	D-SIZE		171088	SEE TABLE	GENERAL MARKET		3 OF 3	