

- NOTES:
1. MATERIALS: HOUSING - LCP (LIQUID CRYSTAL POLYMER); GLASS FILLED, UL94-V0. TERMINALS - HIGH PERFORMANCE COPPER ALLOY.
 2. FINISH: 30 MICRINCHES MINIMUM GOLD IN CONTACT AREA; SELECTIVE MATTE TIN ON PCB TAILS; NICKEL UNDERPLATE OVERALL.
 3. REFER TO MOLEX PRODUCT SPECIFICATION PS-170540-999 FOR PERFORMANCE SPECIFICATIONS AND ADDITIONAL PCB INFORMATION.
 4. EACH SIGNAL WAFER CONTAINS 2 COLUMNS OF TERMINALS.
 5. PRODUCT IS PACKAGED PER PK-70873-589.
 6. THIS PART CONFORMS TO CLASS B REQUIREMENTS OF COSMETIC SPEC PS-45499-002.
 7. REFER TO MOLEX SALES DRAWINGS SD-170535-0003 AND RSD-170532-XXXX FOR THE MATED HEADER.
 8. REFER TO MOLEX PCB ROUTING GUIDE AS-76060-990 FOR ANTIPAD AND ROUTING RECOMMENDATIONS.
 9. GROUND PATHS ARE NOT DISCRETE CIRCUITS WITHIN CONNECTOR DUE TO PRESENCE OF PLUS CLIP.
 10. PART NUMBER 170540-5720 SHOWN ON DRAWING. KEYING FEATURES WILL CHANGE WITH COLUMN SIZE.
 11. MINIMUM BOARD THICKNESS IS 1.00mm FOR COMPLIANT PIN FUNCTIONALITY.
 12. WHEN USING MOLEX SUPPLIED #2-32 SCREW 73726-0000 (9.50 NOMINAL THREADABLE SCREW LENGTH). THE MAXIMUM BOARD THICKNESS IS 4.4mm.
 13. MARKING: LOCATED APPROXIMATELY AS SHOWN, PART NUMBER AND DATE CODE.

DAUGHTERCARD HOLE PATTERN (CONNECTOR SIDE)

SYMBOLS		THIS DRAWING CONTAINS INFORMATION THAT IS PROPRIETARY TO MOLEX ELECTRONIC TECHNOLOGIES, LLC AND SHOULD NOT BE USED WITHOUT WRITTEN PERMISSION		CURRENT REV DESC: ADD 14 COLUMN		
▽ = 0	mm	SCALE	3:1			
▽ = 0	GENERAL TOLERANCES (UNLESS SPECIFIED)		EC NO: 603057 DRWN: DMORGAN 2018/04/06 CHK'D: TELO 2018/08/28 APPR: TELO 2018/08/28			
▽ = 0	ANGULAR TOL ± 0.5°		IMPACT 6 PAIR PLUS 85OHM DAUGHTERCARD SIGNAL GUIDE RIGHT SALES DWG			
▽ = 0	4 PLACES ±		PRODUCT CUSTOMER DRAWING			
▽ = 0	3 PLACES ±		INITIAL REVISION: DRWN: KBENES 2012/08/20 APPR: TELO 2012/08/23			
▽ = 0	2 PLACES ± 0.13		DOCUMENT NUMBER SD-170540-0004			
▽ = 0	1 PLACE ± 0.25		DOC TYPE DOC PART REVISION PSD 001 C			
▽ = 0	0 PLACES ±		MATERIAL NUMBER CUSTOMER SHEET NUMBER SEE TABLE GENERAL MARKET 1 OF 2			
▽ = 0	DRAFT WHERE APPLICABLE MUST REMAIN WITHIN DIMENSIONS		THIRD ANGLE PROJECTION 			
▽ = 0	DRAWING		SERIES C-SIZE 170540			

MATERIAL NUMBER	NUMBER OF COLUMNS	NUMBER OF DIFF PAIR	DIMENSION A MAXIMUM	DIMENSION B	PTH Ø
170540-5*08	8	48	22.80	13.30	0.46±0.05
170540-5*10	10	60	26.60	17.10	
170540-5*14	14	84	34.20	24.70	
170540-5*16	16	96	38.00	28.50	
170540-5*38	8	48	22.80	13.30	0.39±0.05
170540-5*20	10	60	26.60	17.10	
170540-5*24	14	84	34.20	24.70	
170540-5*26	16	96	38.00	28.50	

170540-5 * * *

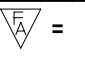
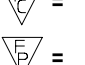
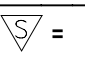

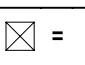
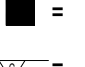
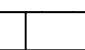

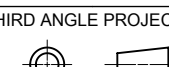
MODULE & TAIL PLATING TYPE
5 = RIGHT GUIDE, LEAD-FREE

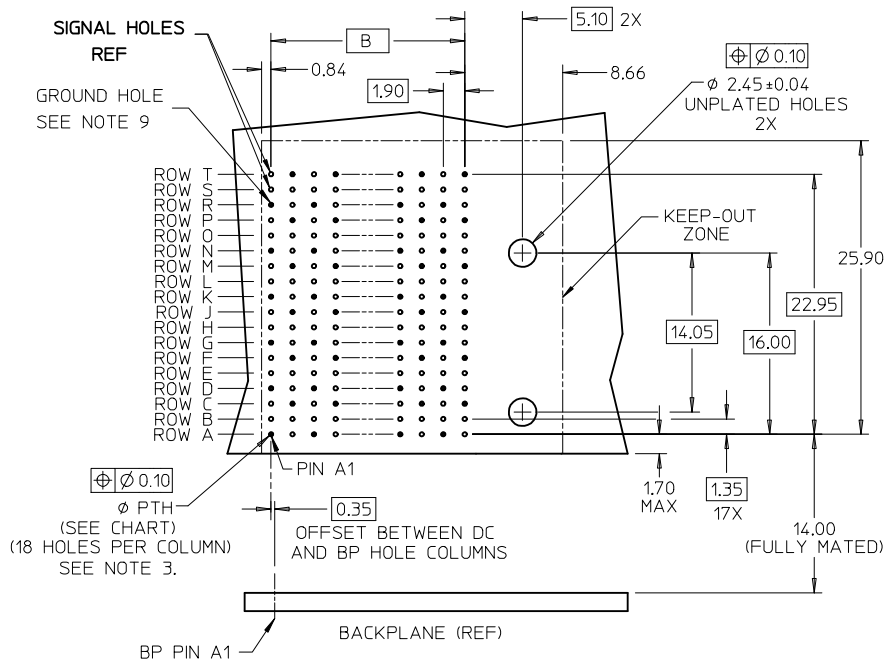
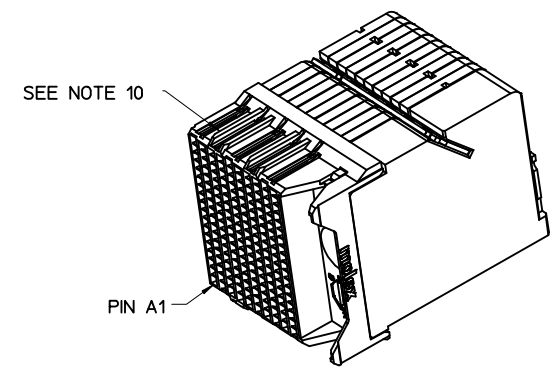
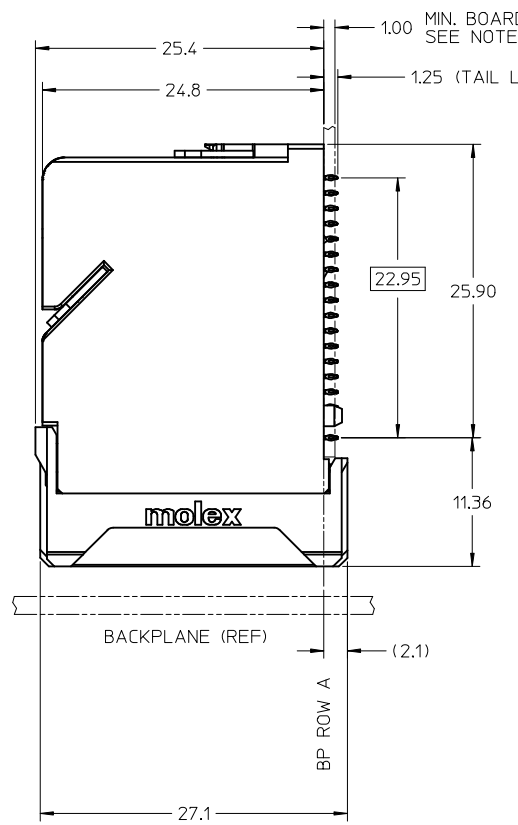
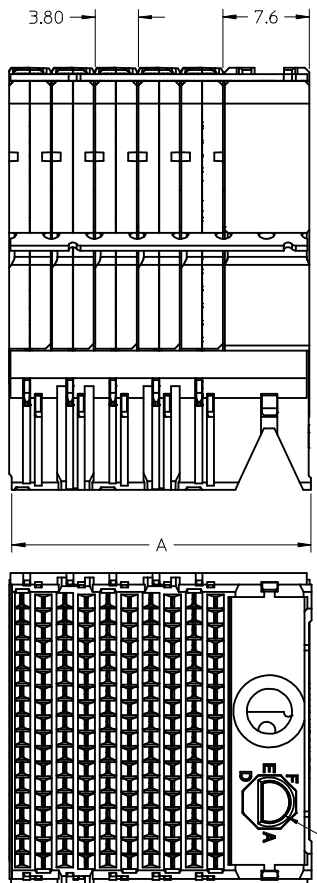
POLARIZATION KEY ORIENTATION

- 0 = NO KEY
- 1 = A
- 2 = B
- 3 = C
- 4 = D
- 5 = E
- 6 = F
- 7 = G
- 8 = H

NUMBER OF COLUMNS

- 08 = 8 COLUMN 0.46 PTH
- 10 = 10 COLUMN 0.46 PTH
- 14 = 14 COLUMN 0.46 PTH
- 16 = 16 COLUMN 0.46 PTH
- 38 = 8 COLUMN 0.39 PTH
- 20 = 10 COLUMN 0.39 PTH
- 24 = 14 COLUMN 0.39 PTH
- 26 = 16 COLUMN 0.39 PTH

SYMBOLS  = 0  = 0  = 0  = 0  = 0  = 0  = 0 = 0 = 0	THIS DRAWING CONTAINS INFORMATION THAT IS PROPRIETARY TO MOLEX ELECTRONIC TECHNOLOGIES, LLC AND SHOULD NOT BE USED WITHOUT WRITTEN PERMISSION		CURRENT REV DESC: ADD 14 COLUMN		 IMPACT 6 PAIR PLUS 85OHM DAUGHTERCARD SIGNAL GUIDE RIGHT SALES DWG		
	DIMENSION UNITS	SCALE	EC NO: 603057				
	mm	1:1	DRWN: DMORGAN 2018/04/06		PSD	001	C
	GENERAL TOLERANCES (UNLESS SPECIFIED)		CHK'D: TELO 2018/08/28		PRODUCT CUSTOMER DRAWING		
	ANGULAR TOL ± 0.5°		APPR: TELO 2018/08/28		DOCUMENT NUMBER		
	4 PLACES ±		INITIAL REVISION:		SD-170540-0004		
	3 PLACES ±		DRWN: KBENES 2012/08/20		MATERIAL NUMBER		
	2 PLACES ± 0.13		APPR: TELO 2012/08/23		CUSTOMER		
	1 PLACE ± 0.25		THIRD ANGLE PROJECTION		GENERAL MARKET		
	0 PLACES ±		DRAWING		SHEET NUMBER		
DRAFT WHERE APPLICABLE MUST REMAIN WITHIN DIMENSIONS		SERIES		SEE TABLE			
		C-SIZE		2 OF 2			
		170540					



- NOTES:
1. MATERIALS: HOUSING - LIQUID CRYSTAL POLYMER (LCP), GLASS-FILLED, UL94V-0
TERMINALS - HIGH PERFORMANCE COPPER ALLOY
 2. FINISH: 104N MIN GOLD IN CONTACT AREA, SELECTIVE TIN
ON PCB TAILS, NICKEL OVERALL.
 3. REFER TO MOLEX PRODUCT SPEC PS-170540-999 FOR PERFORMANCE SPECIFICATIONS
AND ADDITIONAL PCB INFORMATION.
 4. EACH SIGNAL WAFER CONTAINS 2 COLUMNS OF TERMINALS.
 5. PRODUCT IS PACKAGED PER PK-70873-589.
 6. THIS PART CONFORMS TO CLASS B REQUIREMENTS OF COSMETIC SPEC PS-45499-002.
 7. REFER TO MOLEX SALES DRAWING SD-170535-0003 AND RSD-170532-XXXX FOR THE
MATING HEADERS.
 8. REFER TO MOLEX PCB ROUTING GUIDE AS-76060-990 FOR ANTIPAD AND ROUTING
RECOMMENDATIONS.
 9. GROUND PATHS ARE NOT DISCRETE CIRCUITS WITHIN CONNECTOR DUE TO PRESENCE
OF PLUS CLIP.
 10. PART NUMBER 170540-5720 SHOWN ON DRAWING. KEYING FEATURES WILL CHANGE
WITH COLUMN SIZE.
 11. MINIMUM BOARD THICKNESS IS 1.00 mm FOR COMPLIANT PIN FUNCTIONALITY.
 12. WHEN USING MOLEX SUPPLIED #2-32 SCREW 73726-0000 (9.50 NOMINAL
THREADABLE SCREW LENGTH), THE MAXIMUM BOARD THICKNESS IS 4.4 mm.

INITIAL CREATION MAPS PLATING EC NO: UCP2015-3240 DRW:MKRAUSE 2015/02/09 CHKD: MKRAUSE APPR:TELO 2015/03/02	QUALITY SYMBOLS	GENERAL TOLERANCES (UNLESS SPECIFIED)	DIMENSION STYLE MM ONLY	SCALE 3:1	DESIGN UNITS METRIC	THIRD ANGLE PROJECTION
	▽=0	mm INCH	DRAWN BY DATE MKRAUSE 2015/02/09	TITLE IMPACT 6 PAIR PLUS 850HM DC SIGNAL MAPS GUIDE RIGHT SALES DWG	molex DOCUMENT NO. SD-173120-0004	SHEET NO. 1 OF 2
	▽=0	4 PLACES ± --- ± --- 3 PLACES ± --- ± --- 2 PLACES ± 0.13 ± --- 1 PLACE ± 0.25 ± --- 0 PLACE ± ±	CHECKED BY DATE	APPROVED BY DATE TELO 2015/03/02		
	▽=0	ANGULAR ±1/2°	MATERIAL NO.	SIZE C	THIS DRAWING CONTAINS INFORMATION THAT IS PROPRIETARY TO MOLEX INCORPORATED AND SHOULD NOT BE USED WITHOUT WRITTEN PERMISSION	
REV: A	DESCRIPTION	DRAFT WHERE APPLICABLE MUST REMAIN WITHIN DIMENSIONS				

MATERIAL NUMBER	# OF COLUMNS	# OF DIFF PAIR	DIM "A" MAX	DIM "B"	PTH ϕ
173120-5*08	8	48	22.80	13.30	0.46 +0.05
173120-5*10	10	60	26.60	17.10	
173120-5*16	16	96	38.00	28.50	
173120-5*38	8	48	22.80	13.30	0.39 +0.05
173120-5*20	10	60	26.60	17.10	
173120-5*26	16	96	38.00	28.50	

173120-5***

MODULE & TAIL PLATING TYPE
5 = RIGHT GUIDED, LEAD-FREE

POLARIZATION KEY ORIENTATION

- 0 = NO KEY
 1 = A
 2 = B
 3 = C
 4 = D
 5 = E
 6 = F
 7 = G
 8 = H

- # OF COLUMNS
 08 = 8 COL 0.46 PTH
 10 = 10 COL 0.46 PTH
 16 = 16 COL 0.46 PTH
 20 = 10 COL 0.39 PTH
 26 = 16 COL 0.39 PTH
 38 = 08 COL 0.39 PTH

SEE SHEET 1 EC NO: UCP2015-3240 DRW:MKRAUSE 2015/02/09 CHKD: APPR:TELO 2015/03/02	QUALITY SYMBOLS	GENERAL TOLERANCES (UNLESS SPECIFIED)	DIMENSION STYLE MM ONLY	SCALE 3:1	DESIGN UNITS METRIC	THIRD ANGLE PROJECTION
		4 PLACES ± --- ± ---	DRAWN BY MKRAUSE	DATE 2015/02/09	TITLE IMPACT 6 PAIR PLUS 850HM DC SIGNAL MAPS GUIDE RIGHT SALES DWG	
		3 PLACES ± --- ± ---	CHECKED BY	DATE		
		2 PLACES ± 0.13 ± ---	1 PLACE ± 0.25 ± ---	0 PLACE ± ±	APPROVED BY TELO	DATE 2015/03/02
	ANGULAR ±1/2°		MATERIAL NO. SEE CHART		SHEET NO. 2 OF 2	
	DRAFT WHERE APPLICABLE MUST REMAIN WITHIN DIMENSIONS		SIZE C		THIS DRAWING CONTAINS INFORMATION THAT IS PROPRIETARY TO MOLEX INCORPORATED AND SHOULD NOT BE USED WITHOUT WRITTEN PERMISSION	