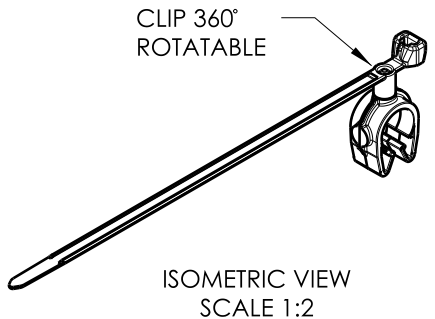
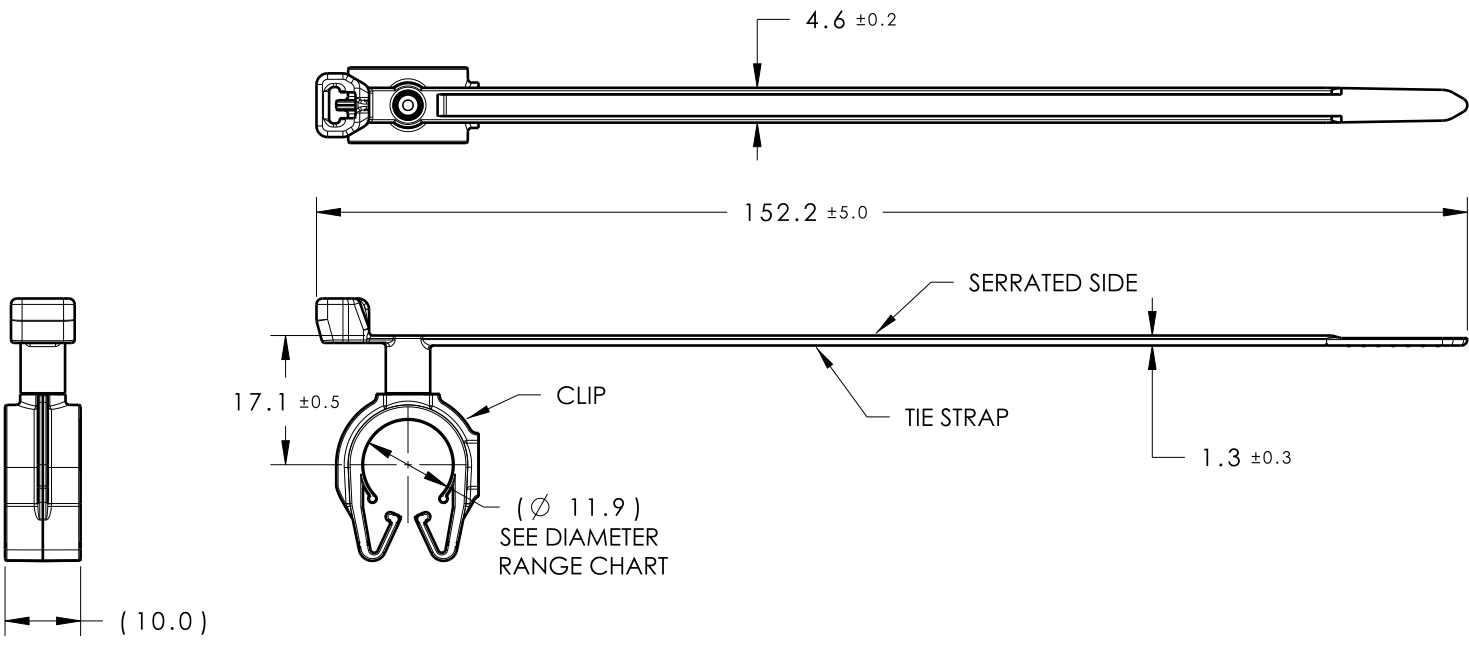


Revision Level			Revision Record	Changed	Date	Approved	Date
Drawing	State	Part					
00.0	Design Release		SEE ECN# 013934	TAT	7/5/17	EJH	7/5/17



TYPE	SUGGESTED DIAMETER RANGE*
HARNESS	11.5MM - 13.0MM
HOSE	10.5MM - 13.0MM
HARD PIPE/TUBE	12.0MM - 13.8MM

\*RECOMMENDED SIZES MAY DIFFER DEPENDING ON THE APPLICATION , PRODUCT REQUIREMENTS AND MATERIALS USED

\*\*PATENT PENDING 29/582,271

UNS-UNIVERSAL NUMBER SYSTEM	TYPE	BUNDLE RANGE	CABLE TIE			CLIP**		
			DRAWING	MATERIAL	COLOR	DRAWING	MATERIAL	COLOR
156-02255	T50SVC/MOC12M180	2 TO 50	14-0606-001-CSU	PA66HS	BLACK	16-0319-000-CSU	PA66HIRHS	BLACK

Material SEE CHART COLOR: SEE CHART	Units	millimeters	The copyright of this drawing is reserved by HellermannTyton. It is issued on condition that it is not reproduced, copied or disclosed to a third party, either wholly or in part, without the consent of HellermannTyton.	Drawn	TAT	6/21/17	Article/Type-No	SEE CHART	Scale	1:1
	Tolerance defined on each dimension	Approved		EJH	6/26/17	Title		T50SVC TIE STRAP COUPLED TO 12MM MODULAR OMEGA CLIP	Project Number	16-0319
		<b>HellermannTyton</b> North America Email: corp@htamericas.com Web: www.hellermann.tyton.com			Drawing-No		PRODUCTION : Phase	Format	AH	
							<b>16-0319-206-CSU</b>	Sheet	1/1	