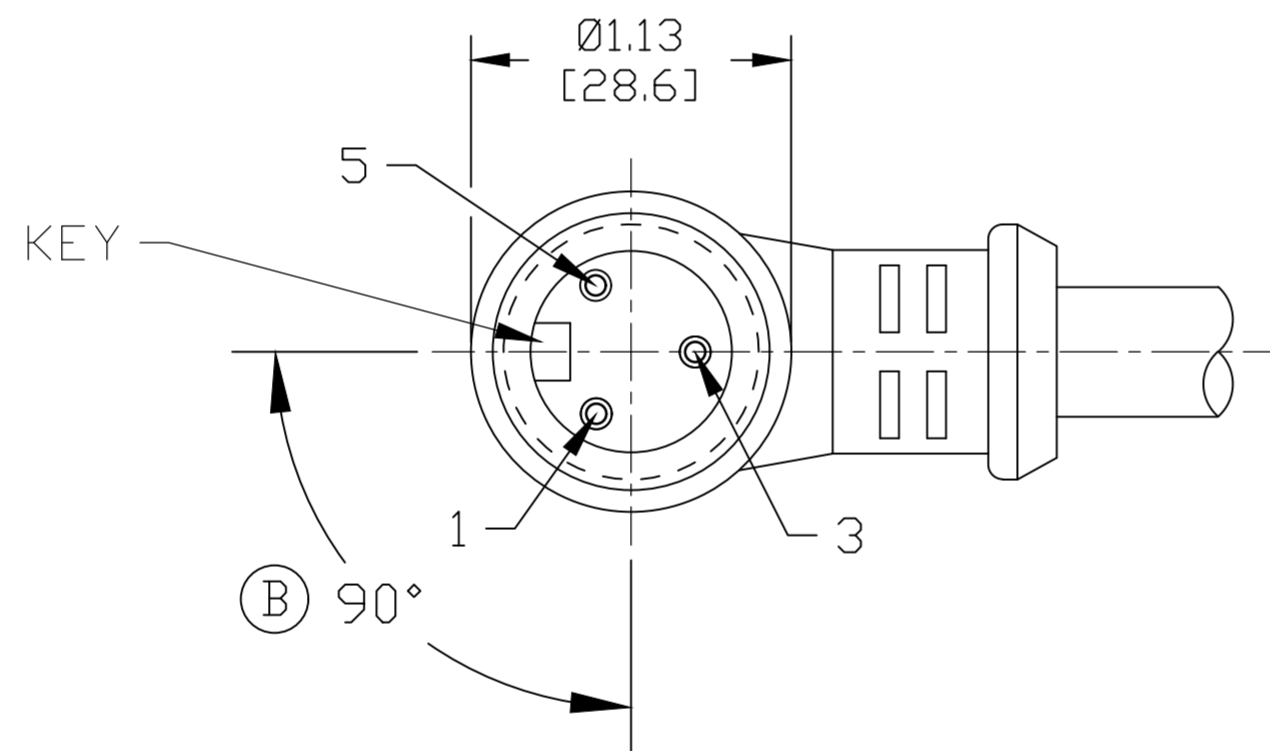
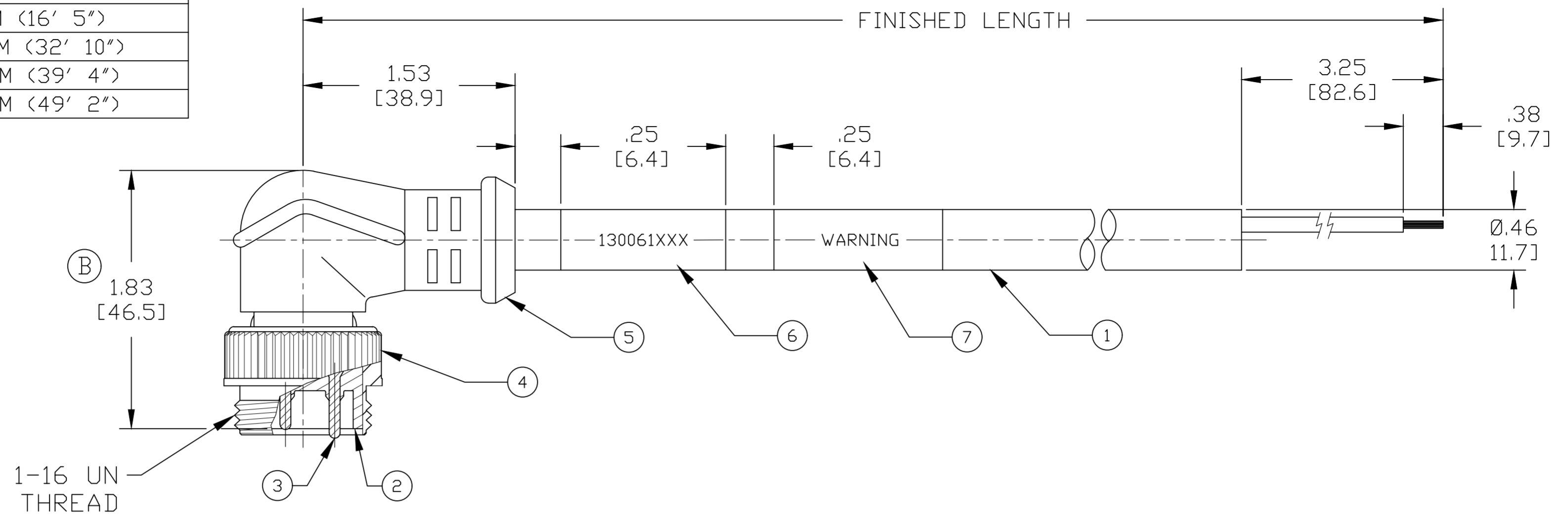


PART NO.	ENGINEERING NO.	FINISHED LENGTH
1300611080	203007A45M030	3M (9' 10")
1300611120	203007A45M050	5M (16' 5")
1300610224	203007A45M100	10M (32' 10")
1300611084	203007A45M120	12M (39' 4")
1300610229	203007A45M150	15M (49' 2")



- 1 BLACK
- 3 GREEN/YELLOW
- 5 WHITE

MALE FACE VIEW

PART NO. LEGEND

203007A45M030
 CABLE TYPE: 16/3 TC-ER
 FINISHED LENGTH:
 M005= 0.5 METER
 M030= 3 METER
 M120= 12 METER

- NOTES:
- MATERIAL: AS NOTED
 - FINISH: AS NOTED
 - ELECTRICAL:
VOLTAGE: 600V
CURRENT: 13A
 - TEMP RATING: -25°TO +80°C
 - PROTECTION: IP67 (WHEN MATED)
 - UL LISTED FILE: E258922
 - ALL DIMS ARE FOR REFERENCE UNLESS TOLERANCED OR NOTED OTHERWISE

CABLE LENGTH TOLERANCES	
>.3M [1FT]:	+19mm-0 [+0.75in-0]
.3 - .9M [1 - 3FT]:	+44.5mm-0 [+1.75in-0]
.9 - 1.8M [3 - 6FT]:	+55.6mm-0 [+2.19in-0]
1.8 - 3.7M [6 - 12FT]:	+88.9mm-0 [+3.50in-0]
3.7 - 7.3M [12 - 24FT]:	+165.1mm-0 [+6.50in-0]
7.3-14.6M [24 - 48FT]:	+317.5mm-0 [+12.50in-0]
14.6 - 30.5M [48-100FT]:	+622.3mm-0 [+24.50in-0]
OVER 30M [100FT]	+2% OF FINISHED LENGTH

ITEM	DESCRIPTION	MATERIAL	FINISH
7	WARNING LABEL	VINYL	ORANGE/BLACK
6	WRAP LABEL	VINYL	BLACK/YELLOW
5	OVERMOLD	TPE	GRAY
4	COUPLING NUT	ZINC DIE CAST	BLACK ANODIZE
3	CONTACT PIN	COPPER ALLOY	GOLD PLATED
2	MALE INSERT, 3P	TPE	BLACK
1	CABLE, 16/3 TC-ER	PVC JACKET	GRAY, BLACK STRIPE
	DESCRIPTION	MATERIAL	FINISH

THIS DRAWING CONTAINS INFORMATION THAT IS PROPRIETARY TO MOLEX ELECTRONIC TECHNOLOGIES, LLC AND SHOULD NOT BE USED WITHOUT WRITTEN PERMISSION											
FUNCTIONAL SYMBOLS	DIMENSION UNITS	SCALE	CURRENT REV DESC: O-MOLD WAS BLACK, O-MOLD DIM WAS 1.88, DIMS CHANGED TO IN/MM, ADD 90 DEG KEY ORIENTATION								
	INCH/MM	NTS	<p>EC NO: 701133</p> <p>DRWN: RSTONE 2022/03/28</p> <p>CHK'D: ALEON01 2022/03/29</p> <p>APPR: BWOODMAN 2022/03/30</p> <p>INITIAL REVISION:</p> <p>DRWN: RSTONE 2018/06/18</p> <p>APPR: BWOODMAN 2018/06/21</p>								
GENERAL TOLERANCES (UNLESS SPECIFIED)											
DIVISIONAL SYMBOLS	4 PLACES	±----	±----	<p>PRODUCT CUSTOMER DRAWING</p> <p>DOCUMENT NUMBER: SD-130061-042</p> <p>DOC TYPE/DOC PART/REVISION: PSD 001 B</p>							
	3 PLACES	±----	±----								
	2 PLACES	±----	±----								
	1 PLACE	±----	±----								
0 PLACES	±----	±----	±----	<p>MATERIAL NUMBER: SEE P/N LEGEND</p> <p>CUSTOMER: GENERAL MARKET</p> <p>SHEET NUMBER: 1 OF 1</p>							
ANGULAR TOL ± ---- °				THIRD ANGLE PROJECTION		DRAWING		SERIES		MATERIAL NUMBER	
DRAFT WHERE APPLICABLE MUST REMAIN WITHIN DIMENSIONS				C-SIZE		130061		SEE P/N LEGEND		GENERAL MARKET	