

MATERIAL NUMBER	# OF COLUMNS	# OF DIFF PAIR	DIM 'A' MAX	DIM 'B'
76450- $\times 10$ *	10	20	26.60	17.10
76450- $\times 60$ *	16	32	38.00	28.50

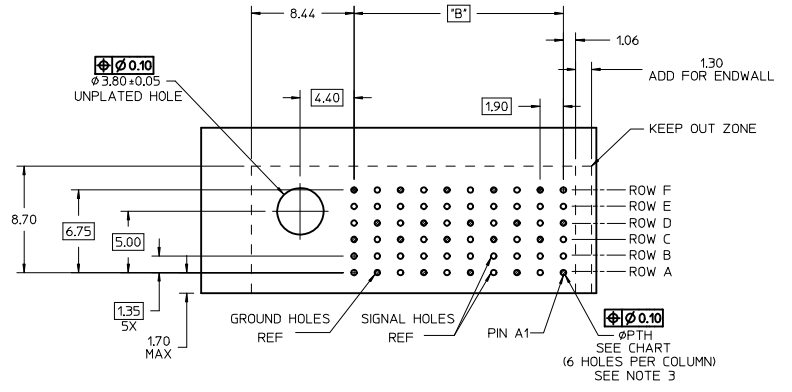
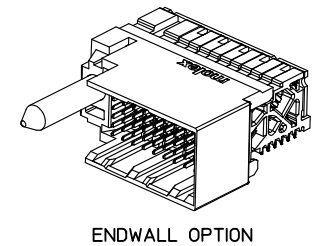
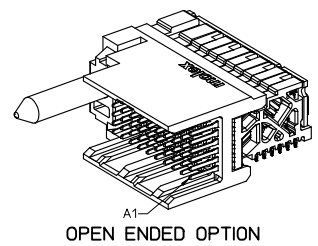
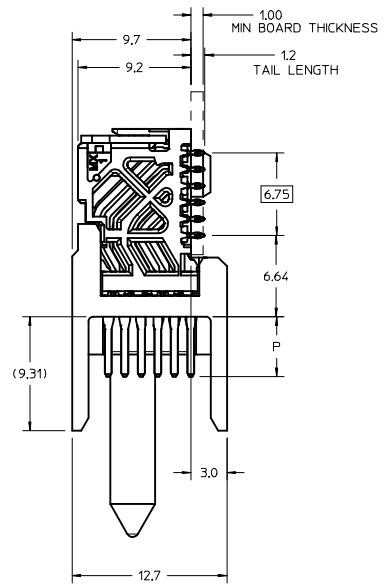
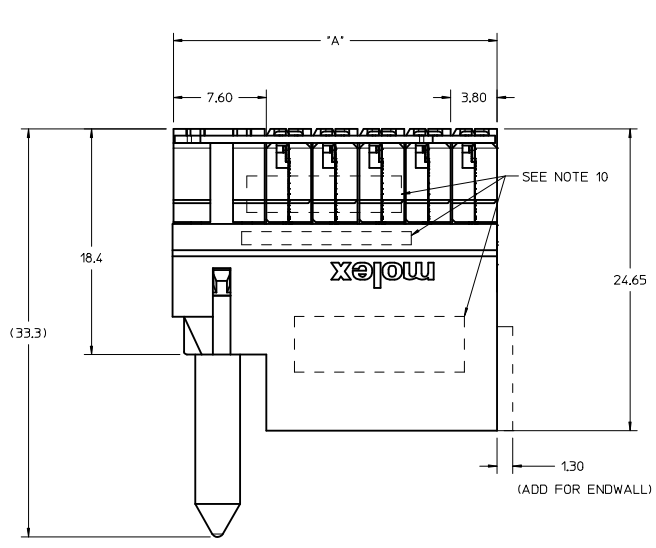
76450- $\times \times 0$ \*

MODULE TYPE  
 3 = LEFT GUIDED LEAD-FREE  
 7 = LEFT GUIDED LEAD-FREE W/ ENDWALL

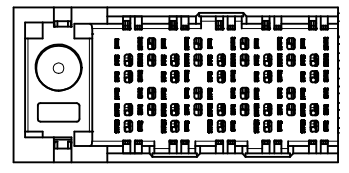
PIN LENGTH (P)  
 4 = 4.90 (0.46 PTH)  
 5 = 5.50 (0.46 PTH)  
 7 = 4.90 (0.39 PTH)  
 8 = 5.50 (0.39 PTH)

# OF COLUMNS  
 1 = 10 COL  
 6 = 16 COL

- NOTES:
1. MATERIALS: HOUSING - LIQUID CRYSTAL POLYMER (LCP), GLASS-FILLED, UL94V-0 TERMINALS - HIGH PERFORMANCE COPPER ALLOY
  2. FINISH: 30 $\mu$ m SELECTIVE GOLD IN CONTACT AREA, SELECTIVE TIN ON PCB TAILS, NICKEL OVERALL.
  3. FOR FURTHER INFORMATION SEE PRODUCT SPECIFICATION PS-76060-999.
  4. EACH SIGNAL WAFER CONTAINS 2 COLUMNS OF TERMINALS.
  5. PRODUCT TO BE PACKAGED PER PACKAGING SPECIFICATION PK-70873-077.
  6. THIS PART CONFORMS TO CLASS B REQUIREMENTS OF COSMETIC SPEC PS-45199-002.
  7. REFER TO MOLEX SALES DRAWING SD-76460-004 FOR MATING DAUGHTERCARDS.
  8. REFER TO MOLEX PCB ROUTING GUIDE AS-76060-990 FOR ANTIPAD AND ROUTING RECOMMENDATIONS.
  9. WHEN USING MOLEX SUPPLIED #2-32 SCREW 73726-0005 (7.62 +0.38/-0.76 mm THREADABLE SCREW LENGTH), THE BOARD THICKNESS RANGE IS 1.60 TO 3.85 mm.
  10. MARKING: LOCATED APPROXIMATELY AS SHOWN. PART NUMBER AND DATE CODE.



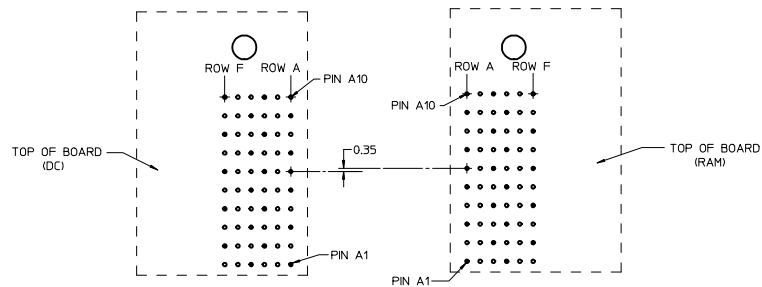
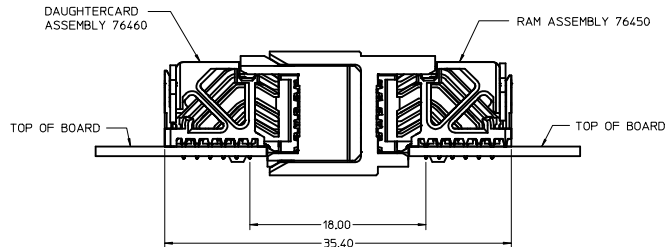
RAM HOLE PATTERN  
(CONNECTOR SIDE)



<b>ADD LASER MARK INFO</b> EC NO: UCP2016-3973 DRAWN BY: DRW:MARVARA CHECKED BY: CHK:TELO APPROVED BY: APPR:TELO DATE: 2015/07/29 DATE: 2016/02/22 DATE: 2016/04/20	<b>QUALITY SYMBOLS</b> ∇=0 ∇=0 ∇=0	<b>GENERAL TOLERANCES (UNLESS SPECIFIED)</b> <table border="1"> <thead> <tr> <th></th> <th>mm</th> <th>INCH</th> </tr> </thead> <tbody> <tr> <td>4 PLACES</td> <td>±---</td> <td>±---</td> </tr> <tr> <td>3 PLACES</td> <td>±---</td> <td>±---</td> </tr> <tr> <td>2 PLACES</td> <td>±0.13</td> <td>±---</td> </tr> <tr> <td>1 PLACE</td> <td>±0.25</td> <td>±---</td> </tr> <tr> <td>0 PLACE</td> <td>±---</td> <td>±---</td> </tr> </tbody> </table>		mm	INCH	4 PLACES	±---	±---	3 PLACES	±---	±---	2 PLACES	±0.13	±---	1 PLACE	±0.25	±---	0 PLACE	±---	±---	<b>DIMENSION STYLE</b> MM ONLY	<b>SCALE</b> 5:1	<b>DESIGN UNITS</b> METRIC	THIRD ANGLE PROJECTION
			mm	INCH																				
		4 PLACES	±---	±---																				
		3 PLACES	±---	±---																				
2 PLACES	±0.13	±---																						
1 PLACE	±0.25	±---																						
0 PLACE	±---	±---																						
DRAFT WHERE APPLICABLE MUST REMAIN WITHIN DIMENSIONS		DRAWN BY: JJONIAK CHECKED BY: JLAURX APPROVED BY: JLAURX DATE: 2009/07/06 DATE: 2009/07/06 DATE: 2010/02/09	<b>TITLE</b> IMPACT 100 OHM 2 PAIR RAM LEFT GUIDED SALES DRAWING	<b>molex</b>																				
MATERIAL NO. SD-76450-002		DOCUMENT NO. SD-76450-002		SHEET NO. 1 OF 2																				
THIS DRAWING CONTAINS INFORMATION THAT IS PROPRIETARY TO MOLEX INCORPORATED AND SHOULD NOT BE USED WITHOUT WRITTEN PERMISSION																								

20 19 18 17 16 15 14 13 12 11 10 9 8 7 6 5 4 3 2 1

### COPLANAR APPLICATION



### COPLANAR MATED SIGNAL PATHS



<b>SEE SHEET 1</b> EC NO: UCP2016-3973 DRAWN BY: ARVIND K. MARWARA CHD: CHD:IELO APPR: IELO 2015/07/29 2016/02/22 2016/04/20	QUALITY SYMBOLS	GENERAL TOLERANCES (UNLESS SPECIFIED)	DIMENSION STYLE	SCALE	DESIGN UNITS	THIRD ANGLE PROJECTION
	▽=0	4 PLACES ±--- ±---	MM ONLY	5:1	METRIC	
	▽=0	3 PLACES ±--- ±---				
	▽=0	2 PLACES ±0.13 ±---				
		1 PLACE ±0.25 ±---				
		0 PLACE ±--- ±---				
		ANGULAR ±1/2°				
		DRAFT WHERE APPLICABLE MUST REMAIN WITHIN DIMENSIONS				
			DRAWN BY: JJONIAK	DATE: 2009/07/06	TITLE: IMPACT 100 OHM 2 PAIR RAM LEFT GUIDED SALES DRAWING	
			CHECKED BY: JL AURX	DATE: 2009/07/06	<b>molex</b> MATERIAL NO. SD-76450-002 SHEET NO. 2 OF 2	
			APPROVED BY: JL AURX	DATE: 2010/02/09		
			SIZE: SEE TABLE		THIS DRAWING CONTAINS INFORMATION THAT IS PROPRIETARY TO MOLEX INCORPORATED AND SHOULD NOT BE USED WITHOUT WRITTEN PERMISSION	

19 18 17 16 15 14 13 12 11 10 9 8 7 6 5 4 3 2 1

MATERIAL NUMBER	# OF COLUMNS	# OF DIFF PAIR	DIM 'A' MAX	DIM 'B'
76450- $\times 10$ *	10	20	26.60	17.10
76450- $\times 60$ *	16	32	38.00	28.50

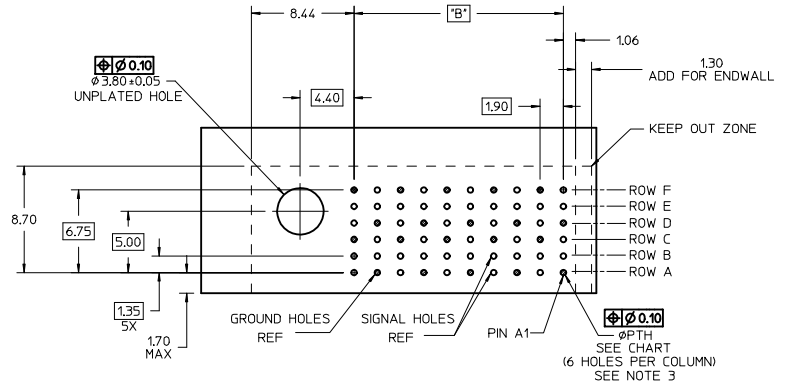
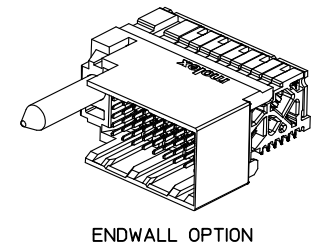
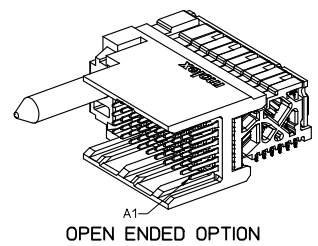
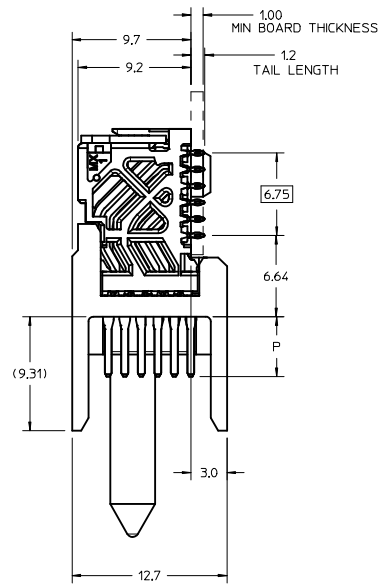
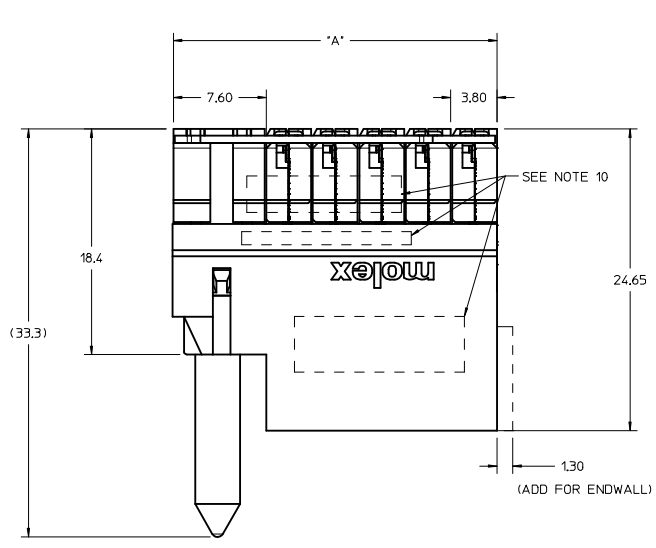
76450- $\times \times 0$ \*

MODULE TYPE  
 3 = LEFT GUIDED LEAD-FREE  
 7 = LEFT GUIDED LEAD-FREE W/ ENDWALL

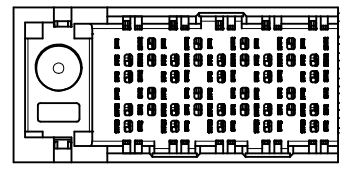
PIN LENGTH (P)  
 4 = 4.90 (0.46 PTH)  
 5 = 5.50 (0.46 PTH)  
 7 = 4.90 (0.39 PTH)  
 8 = 5.50 (0.39 PTH)

# OF COLUMNS  
 1 = 10 COL  
 6 = 16 COL

- NOTES:
1. MATERIALS: HOUSING - LIQUID CRYSTAL POLYMER (LCP), GLASS-FILLED, UL94V-0 TERMINALS - HIGH PERFORMANCE COPPER ALLOY
  2. FINISH: 30 $\mu$ m SELECTIVE GOLD IN CONTACT AREA, SELECTIVE TIN ON PCB TAILS, NICKEL OVERALL.
  3. FOR FURTHER INFORMATION SEE PRODUCT SPECIFICATION PS-76060-999.
  4. EACH SIGNAL WAFER CONTAINS 2 COLUMNS OF TERMINALS.
  5. PRODUCT TO BE PACKAGED PER PACKAGING SPECIFICATION PK-70873-077.
  6. THIS PART CONFORMS TO CLASS B REQUIREMENTS OF COSMETIC SPEC PS-45199-002.
  7. REFER TO MOLEX SALES DRAWING SD-76460-004 FOR MATING DAUGHTERCARDS.
  8. REFER TO MOLEX PCB ROUTING GUIDE AS-76060-990 FOR ANTIPAD AND ROUTING RECOMMENDATIONS.
  9. WHEN USING MOLEX SUPPLIED #2-32 SCREW 73726-0005 (7.62 +0.38/-0.76 mm THREADABLE SCREW LENGTH), THE BOARD THICKNESS RANGE IS 1.60 TO 3.85 mm.
  10. MARKING: LOCATED APPROXIMATELY AS SHOWN. PART NUMBER AND DATE CODE.



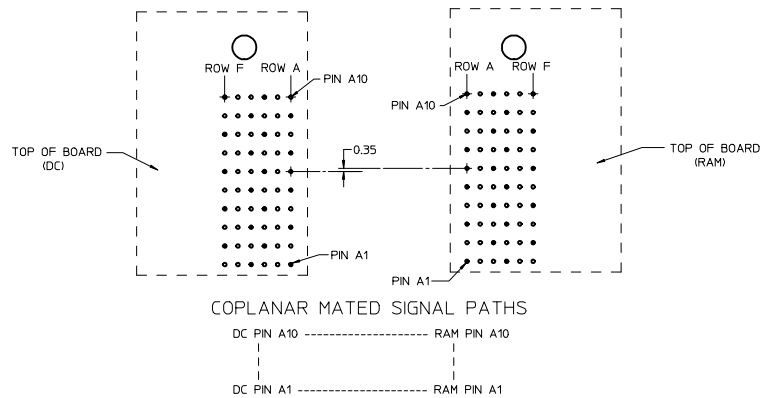
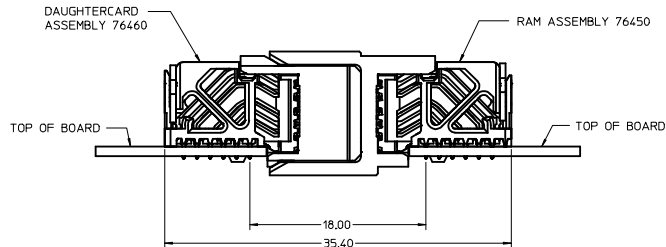
RAM HOLE PATTERN  
(CONNECTOR SIDE)



<b>ADD LASER MARK INFO</b> EC NO: UCP2016-3973 DRAWN BY: DRWNSWARA CHECKED BY: CHOKIETO APPROVED BY: APPR:ETLO DATE: 2015/07/29 DATE: 2016/02/22 DATE: 2016/04/20	<b>QUALITY SYMBOLS</b> ∇=0 ∇=0 ∇=0	<b>GENERAL TOLERANCES (UNLESS SPECIFIED)</b>		<b>DIMENSION STYLE</b> MM ONLY	<b>SCALE</b> 5:1	<b>DESIGN UNITS</b> METRIC	THIRD ANGLE PROJECTION	
		4 PLACES ±--- INCH 3 PLACES ±--- INCH 2 PLACES ±0.13 INCH 1 PLACE ±0.25 INCH 0 PLACE ±--- INCH	DRAWN BY: JJONIAK CHECKED BY: JLAURX APPROVED BY: JLAURX DATE: 2009/07/06 DATE: 2009/07/06 DATE: 2010/02/09	<b>TITLE</b> IMPACT 100 OHM 2 PAIR RAM LEFT GUIDED SALES DRAWING	<b>MATERIAL NO.</b> SEE TABLE	<b>DOCUMENT NO.</b> SD-76450-002	<b>SHEET NO.</b> 1 OF 2	
		ANGULAR ±1/2° DRAFT WHERE APPLICABLE MUST REMAIN WITHIN DIMENSIONS		<b>THIS DRAWING CONTAINS INFORMATION THAT IS PROPRIETARY TO MOLEX INCORPORATED AND SHOULD NOT BE USED WITHOUT WRITTEN PERMISSION</b>				
		<b>molex</b>						

20 19 18 17 16 15 14 13 12 11 10 9 8 7 6 5 4 3 2 1

### COPLANAR APPLICATION



<b>SEE SHEET 1</b> EC NO: UCP2016-3973 DRAWN BY: ARVIND K. MARWARA CHECKED BY: CHYKOTILO APPROVED BY: APPR:ILEO DATE: 2015/07/29 DATE: 2016/02/22 DATE: 2016/04/20	QUALITY SYMBOLS	GENERAL TOLERANCES (UNLESS SPECIFIED)	DIMENSION STYLE	SCALE	DESIGN UNITS	THIRD ANGLE PROJECTION
	▽=0	4 PLACES ± --- ± ---	MM ONLY	5:1	METRIC	
	▽=0	3 PLACES ± --- ± ---				
	▽=0	2 PLACES ± 0.13 ± ---				
		1 PLACE ± 0.25 ± ---				
		0 PLACE ± --- ± ---				
		ANGULAR ± 1/2°				
		DRAFT WHERE APPLICABLE MUST REMAIN WITHIN DIMENSIONS				
			MATERIAL NO.	DOCUMENT NO.		SHEET NO.
			SEE TABLE	SD-76450-002		2 OF 2
			THIS DRAWING CONTAINS INFORMATION THAT IS PROPRIETARY TO MOLEX INCORPORATED AND SHOULD NOT BE USED WITHOUT WRITTEN PERMISSION			

**IMPACT 100 OHM  
2 PAIR RAM LEFT GUIDED  
SALES DRAWING**

**molex**

19 18 17 16 15 14 13 12 11 10 9 8 7 6 5 4 3 2 1